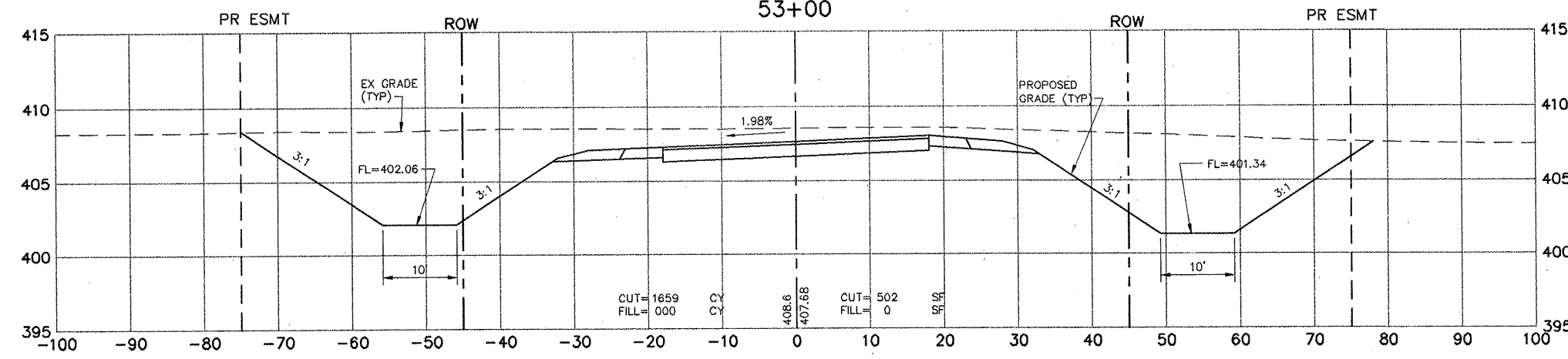
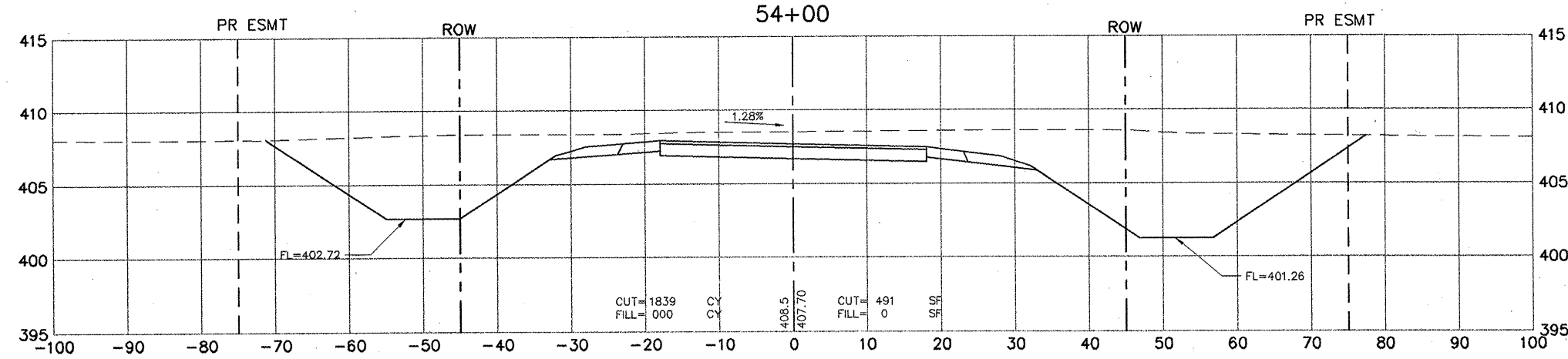
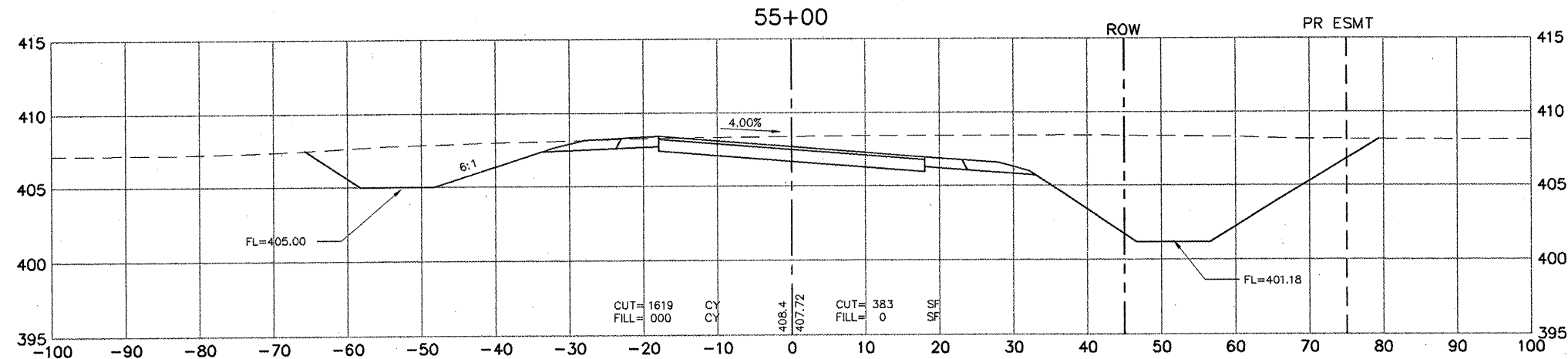
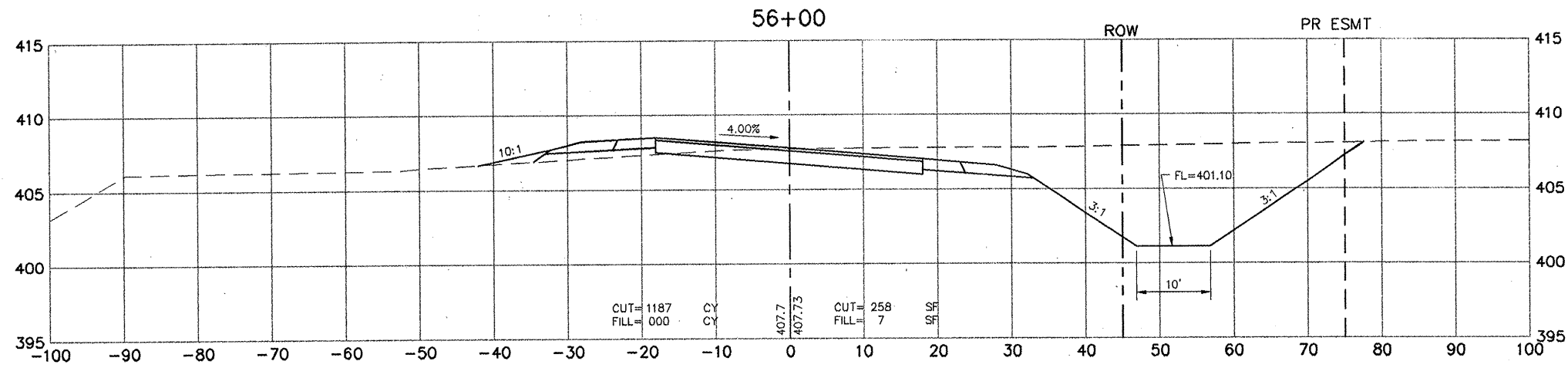


ROUTE NO.	SECTION	COUNTY	TOTAL SHEETS	SHEET NO.
99-00006	-01-FP	ST. CLAIR	69	45
FED. ROAD DIST. NO. 8		ILLINOIS	FED. AID PROJECT-	.7
CROSS SECTION				
CONTRACT NO. 97312				



T:\BUDGET\97312\FP-1.plt 8/24/00 9:56:47 AM