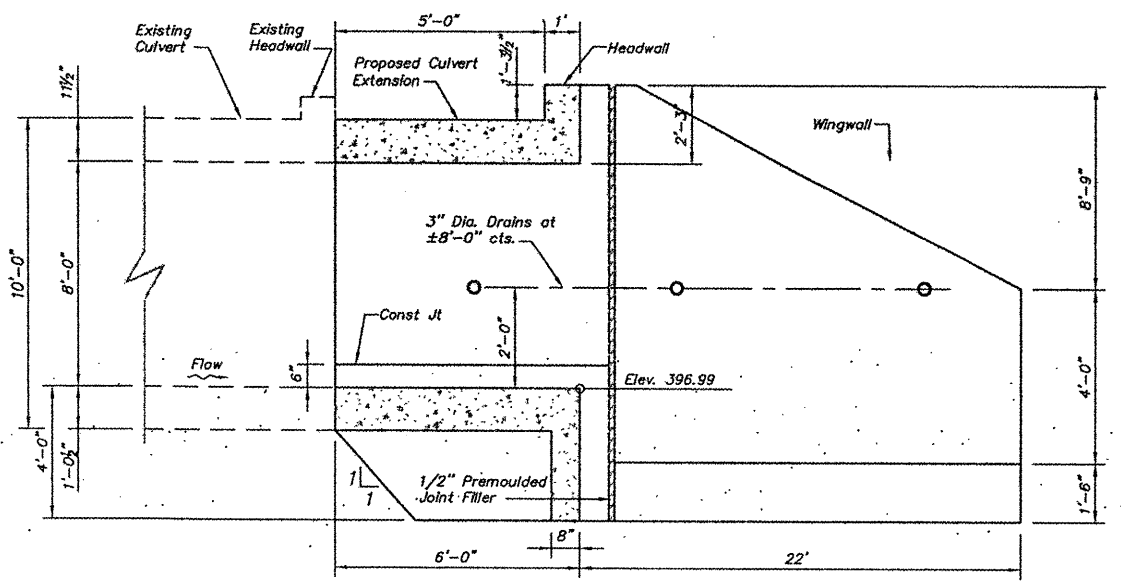


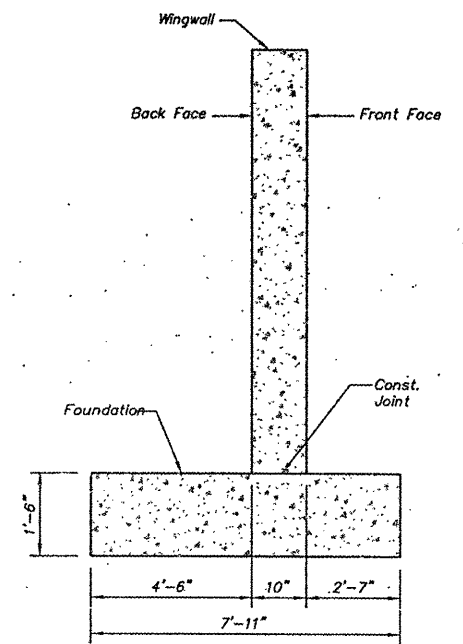
STATE OF ILLINOIS
DEPARTMENT OF TRANSPORTATION

Contract #97312

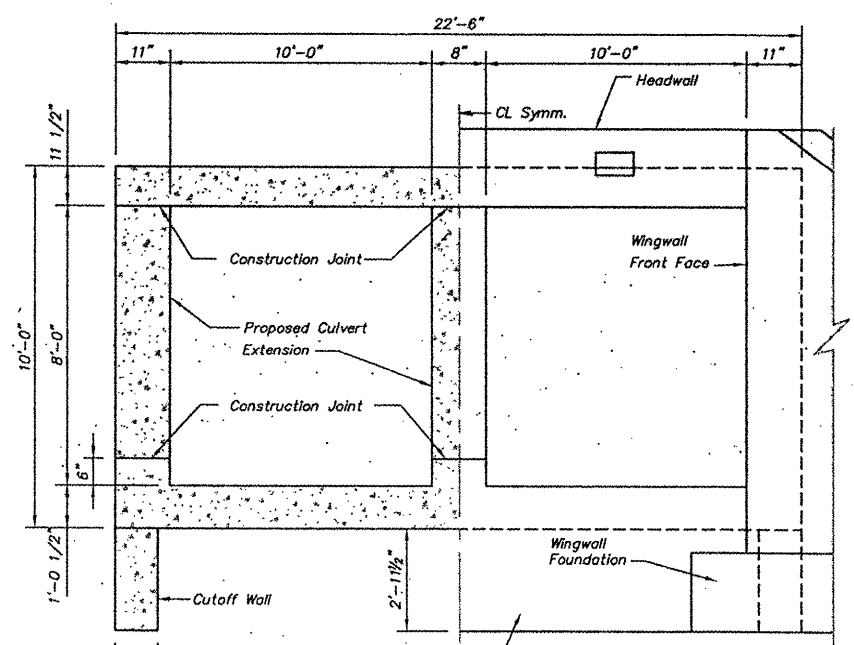
ROUTE NO.	SECTION	COUNTY	TOTAL SHEETS	SHEET NO.
-	99-00009-01-FP	ST. CLAIR		75
FED. ROAD DIST. NO. 6 ILLINOIS FED. AID PROJECT- 98-089-97				
CULVERT STRUCTURAL				



SECTION B-B

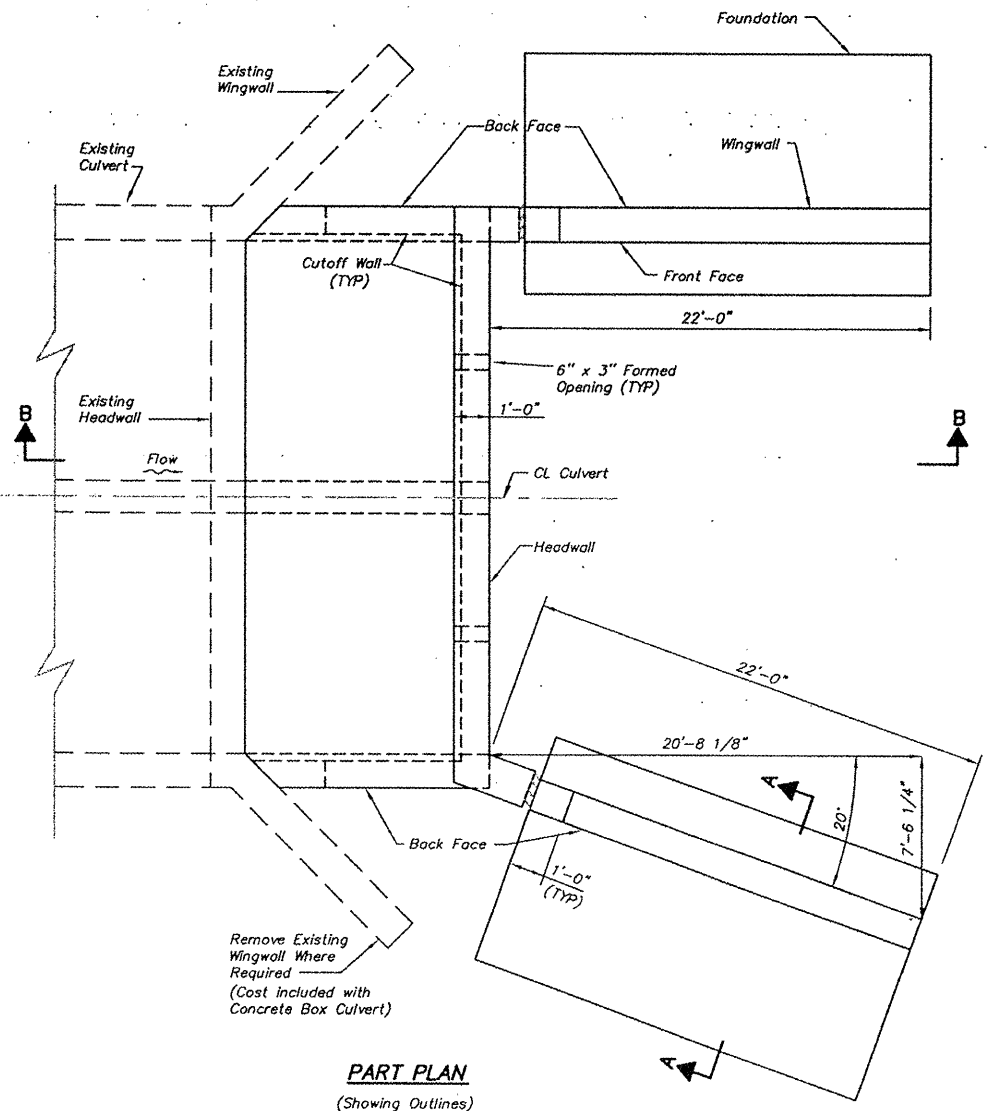


SECTION A-A

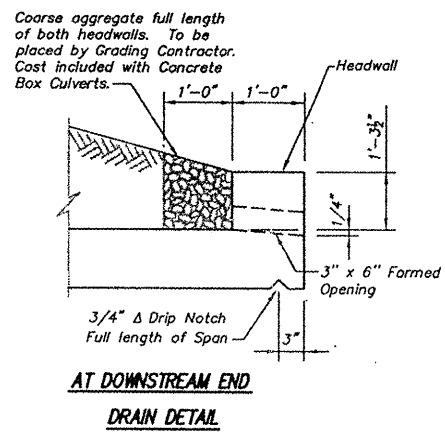


HALF SECTION THRU BARREL
(Showing Outlines)

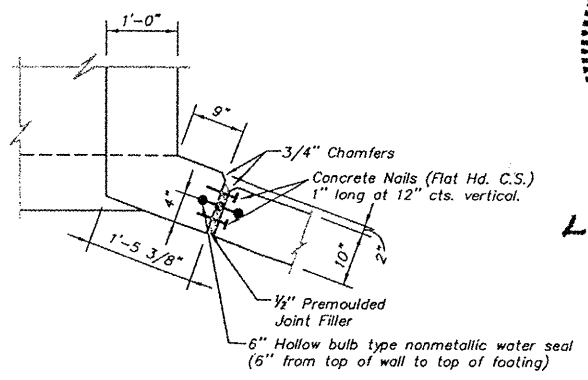
HALF END ELEVATION
(Showing Outlines)



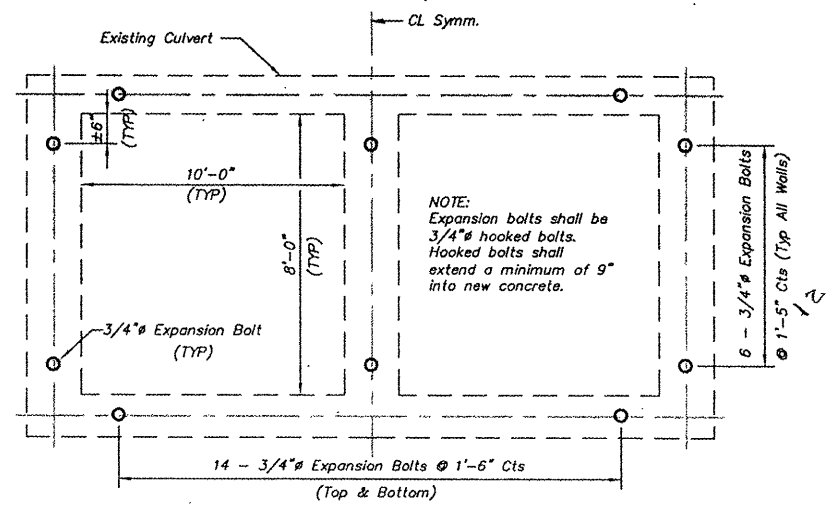
PART PLAN
(Showing Outlines)



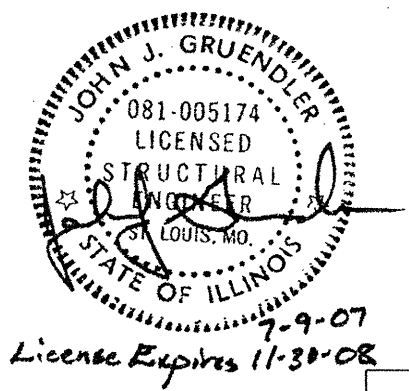
AT DOWNSTREAM END
DRAIN DETAIL



CORNER DETAIL



ELEVATION VIEW AT END OF EXISTING CULVERT
(Showing Expansion Bolt Layout)



DESIGNED	*
CHECKED	*
DRAWN	PES
CHECKED	TPW

200
EXAMINED
ENGINEER OF BRIDGE DESIGN
PASSED
ENGINEER OF BRIDGE AND STRUCTURES

(Drawings not to scale)

T:\Clients\SAUGETY\713-97-1.ph ildwg\SS-CRR-RT.dwg, 6/27/2007 11:12:31 AM, KM-3035.pcd