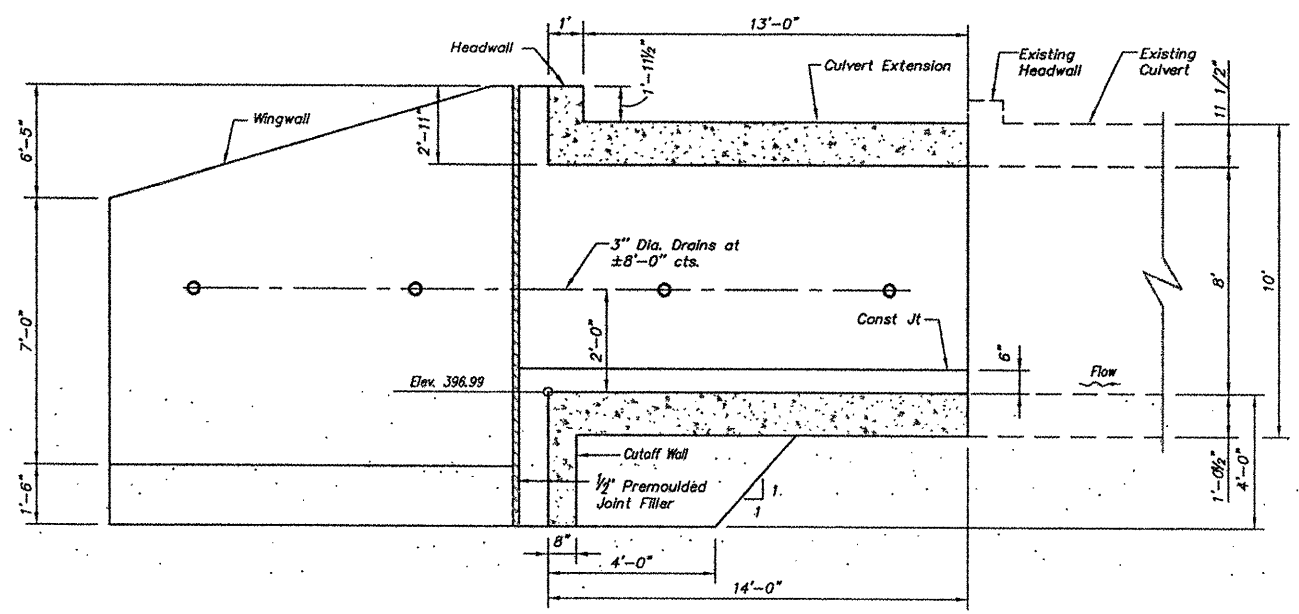


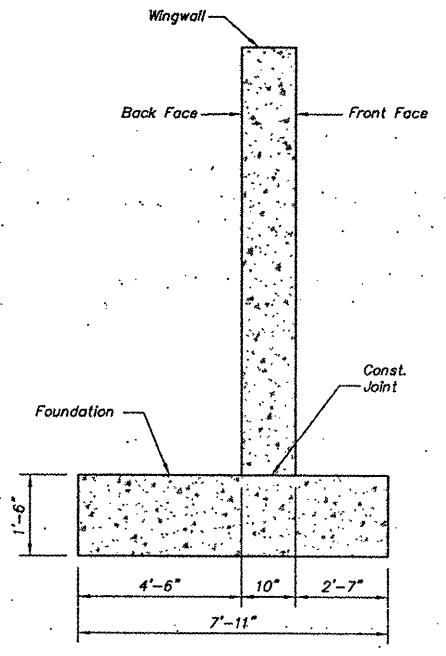
Contract # 97312

STATE OF ILLINOIS  
DEPARTMENT OF TRANSPORTATION

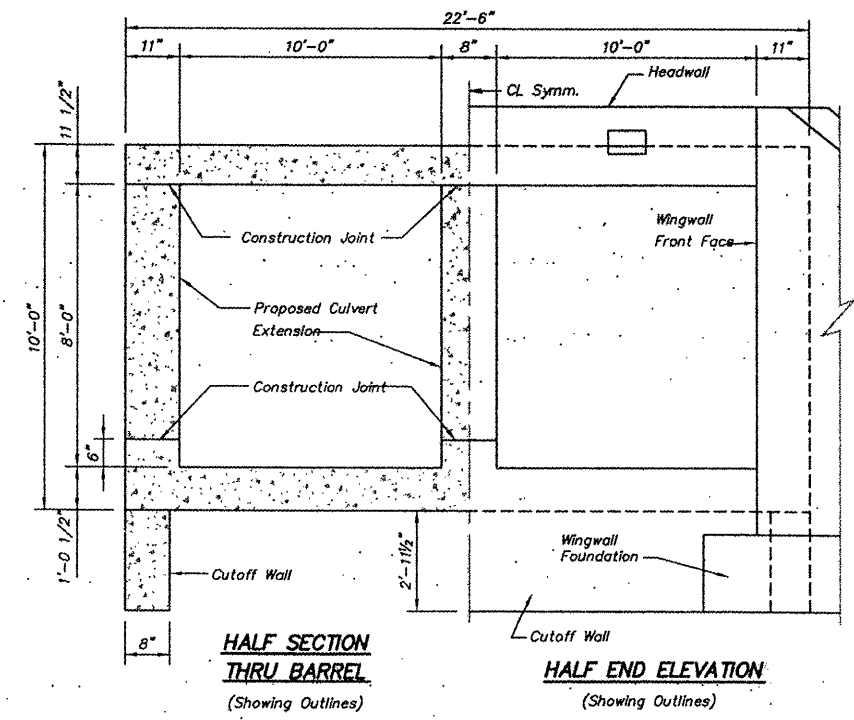
ROUTE NO.	SECTION	COUNTY	TOTAL SHEETS	SHEET NO.
-	99-00009	ST. CLAIR		77
FED. ROAD DIST. NO. 8 ILLINOIS FED. AID PROJECT- 98-089-07				
CULVERT STRUCTURAL				



SECTION B-B

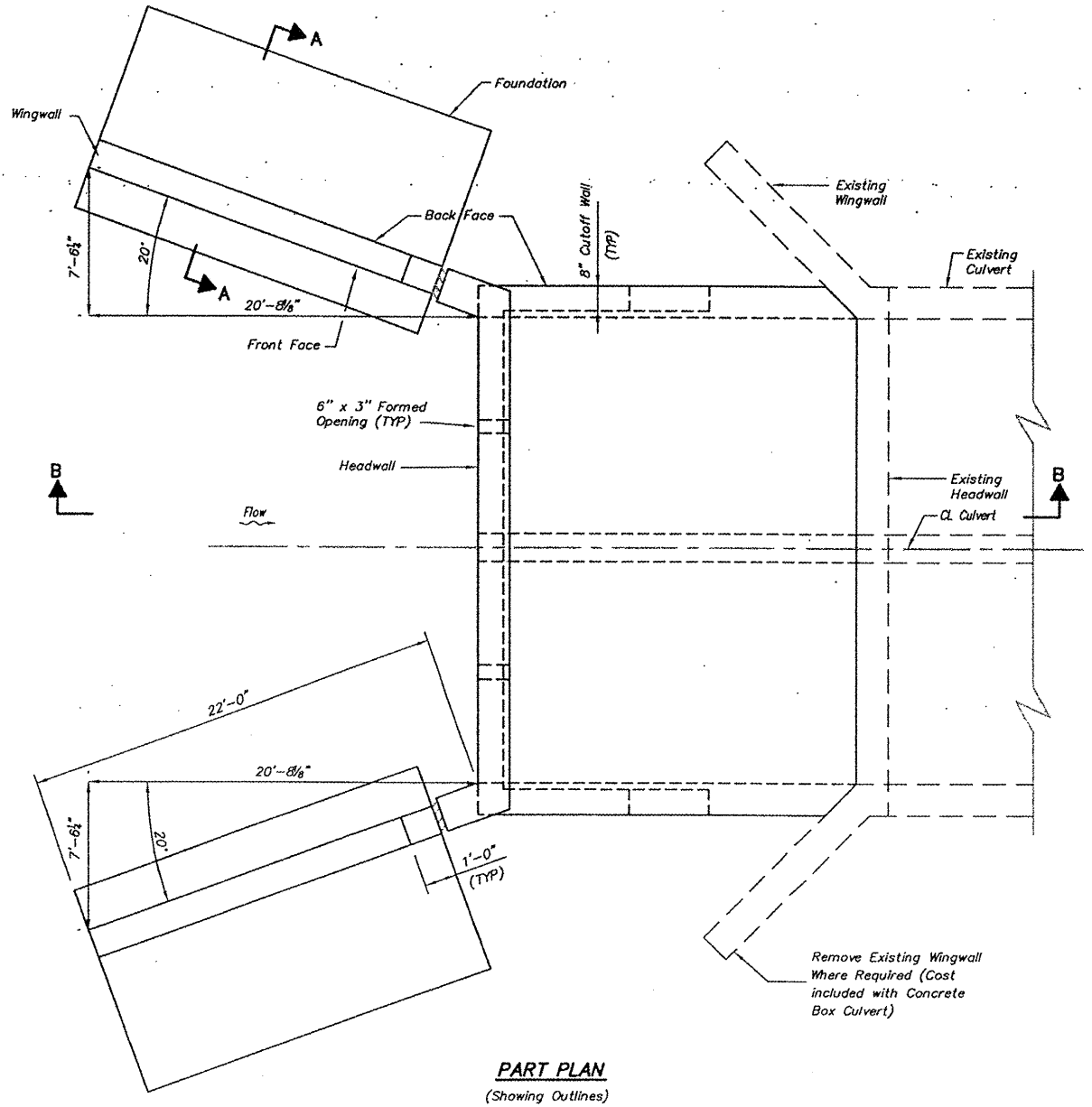


SECTION A-A

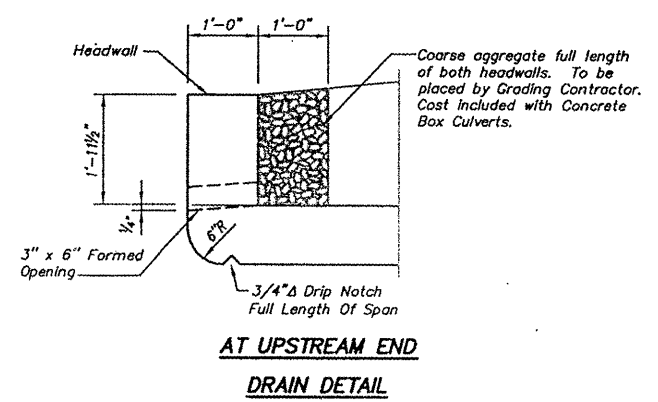


HALF SECTION THRU BARREL  
(Showing Outlines)

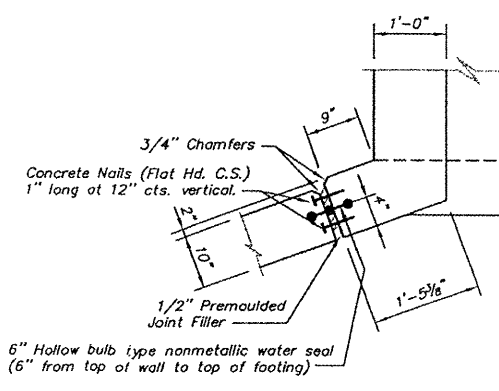
HALF END ELEVATION  
(Showing Outlines)



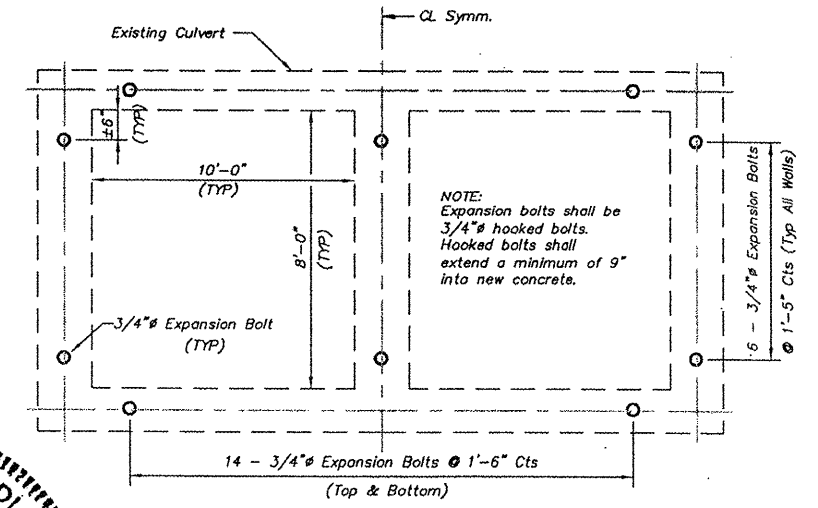
PART PLAN  
(Showing Outlines)



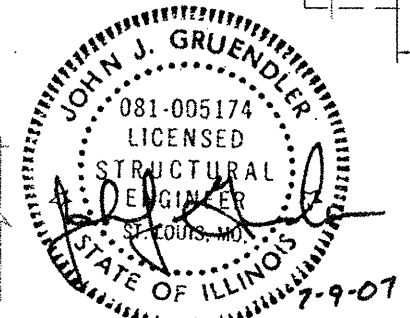
AT UPSTREAM END  
DRAIN DETAIL



CORNER DETAIL



ELEVATION VIEW AT END OF  
EXISTING CULVERT  
(Showing Expansion Bolt Layout)



DESIGNED	*		200
CHECKED	*		EXAMINED
DRAWN	PES		ENGINEER OF BRIDGE DESIGN
CHECKED	TPW		PASSED
			ENGINEER OF BRIDGE AND STRUCTURES

(Drawings Not To Scale)

T:\Clients\SAUGET\7313-97-1.ph.ildwg\ST-ICRR-LT.dwg, 6/27/2007 10:56:19 AM, KM-3035.pcl