

CONTRACT #07312

STATE OF ILLINOIS
DEPARTMENT OF TRANSPORTATION

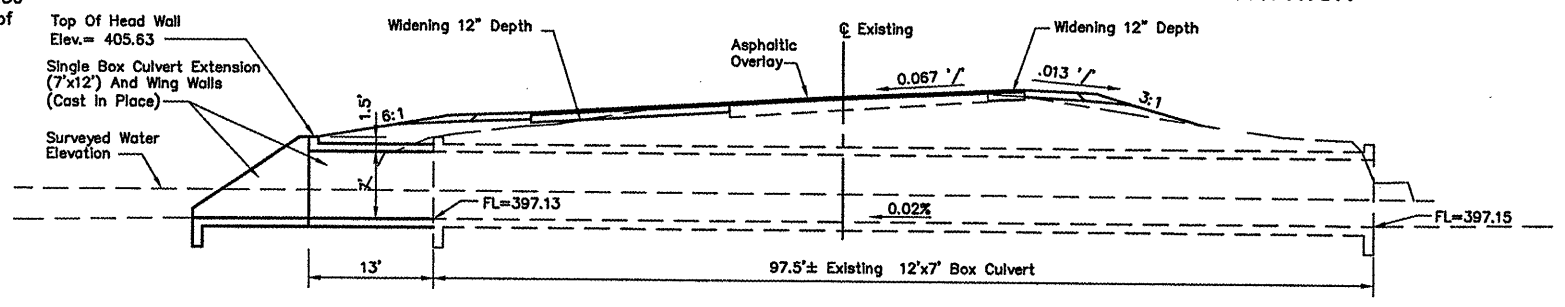
ROUTE NO.	SECTION	COUNTY	TOTAL SHEETS	SHEET NO.
FAU 9200	99-00009-01-FP	ST. CLAIR		79
FED. ROAD DIST. NO. 8		ILLINOIS	FED. AID PROJECT-	
CULVERT TS&L				

Bench Mark:
The letter "M" in Mueller on a fire hydrant ±50'
East on Mousette Lane (East) and ± North of
Sauget Industrial Parkway. El 412.52.

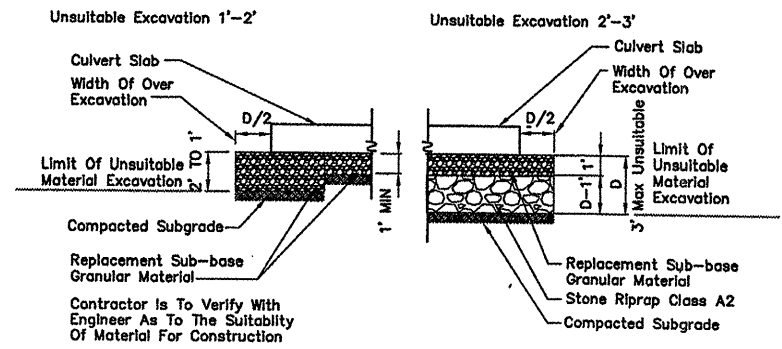
Note: Precast alternate not allowed.

It shall be the Contractor's responsibility to divert any stream flow and is incidental to the construction of the structure.

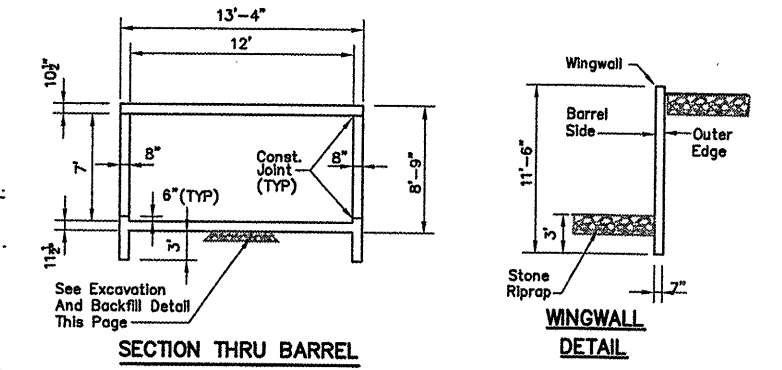
The existing structure was investigated for the presence of asbestos during the preliminary design phase and was found NOT to contain asbestos. Documents confirming this finding was provided to the Illinois Department of Transportation at that time to clear this project for approval.



LONGITUDINAL SECTION
(Along CL Roadway)

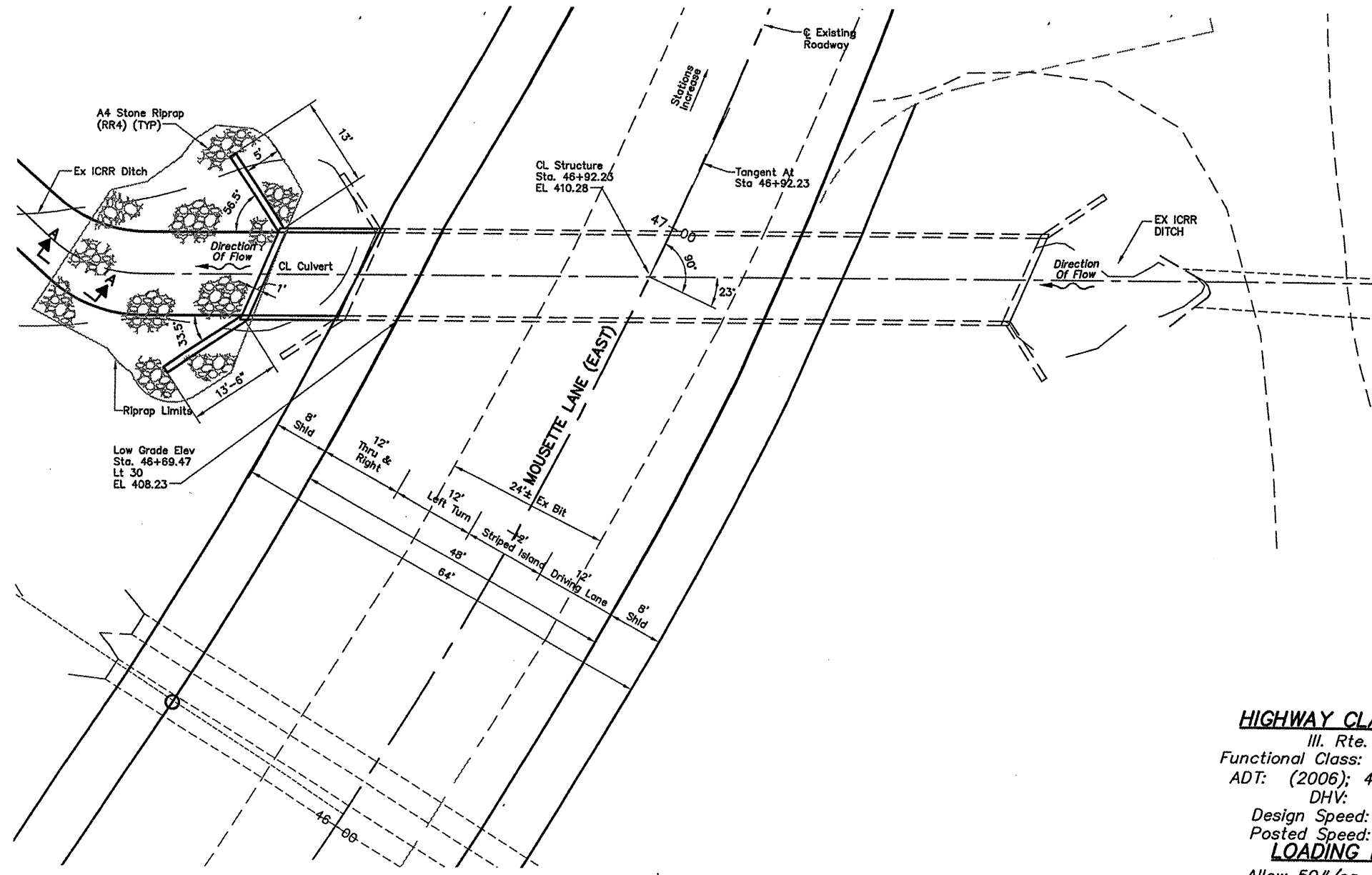


EXCAVATION & BACKFILL

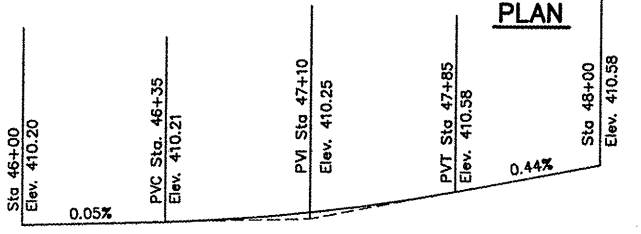


SECTION THRU BARREL

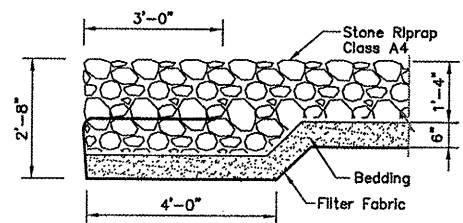
WINGWALL DETAIL



PLAN



PROFILE GRADE
NOT TO SCALE



SECTION A-A
NOT TO SCALE

HIGHWAY CLASSIFICATION

Ill. Rte. 9200
Functional Class: Urban Collector
ADT: (2006); 4,850 (2026) 7,230
DHV: 1,495
Design Speed: 40 m.p.h.
Posted Speed: 40 m.p.h.
LOADING HS20-44
Allow 50#/sq. ft. for future wearing surface

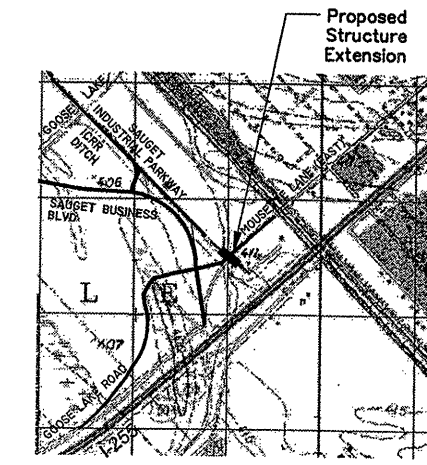
DESIGN SPECIFICATIONS

1996 - AASHTO Standard Specification for Highway Bridges with 1997, 1998 and 1999 Interims

DESIGN STRESSES

FIELD UNITS

$f'_c = 3,500 \text{ psi}$
 $f'_y = 60,000 \text{ psi}$
(reinforcement)



LOCATION MAP

GENERAL PLAN
MOUSETTE LANE (EAST)
OVER ICRR DITCH
F.A.U. ROUTE 9200 -SECTION
97-00009-01-FP
ST. CLAIR COUNTY
STATION 46+92.23

DESIGNED	JPG
CHECKED	MJS
DRAWN	PES
CHECKED	TPW