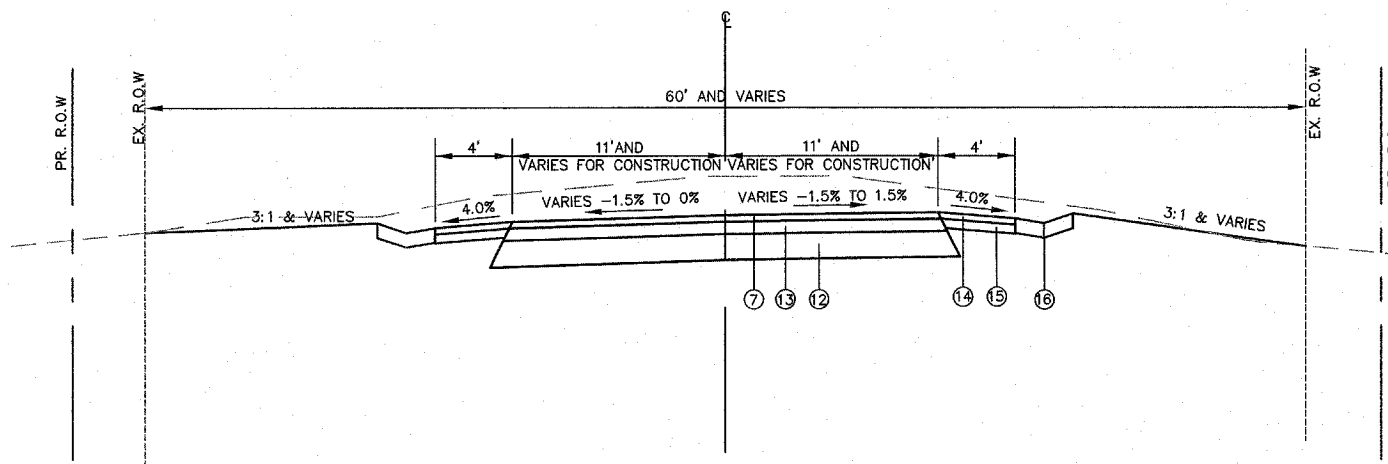
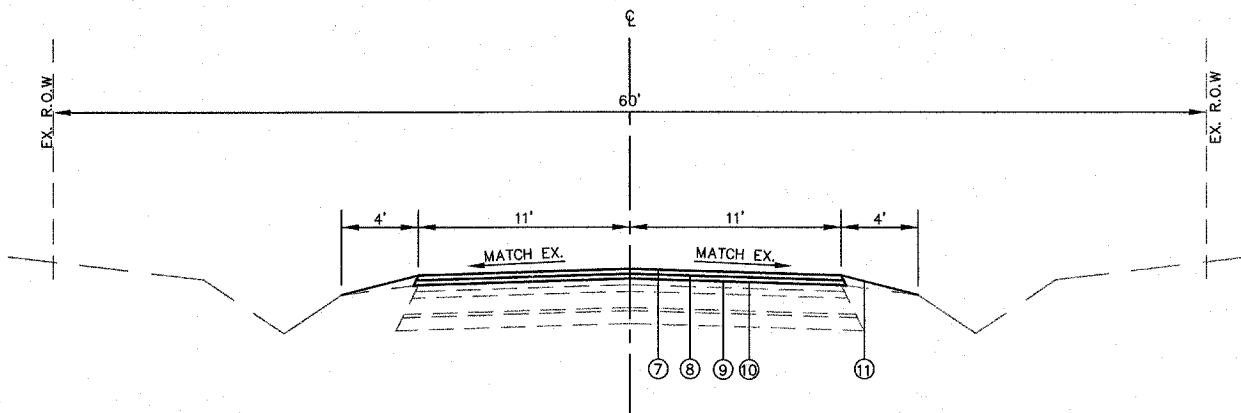


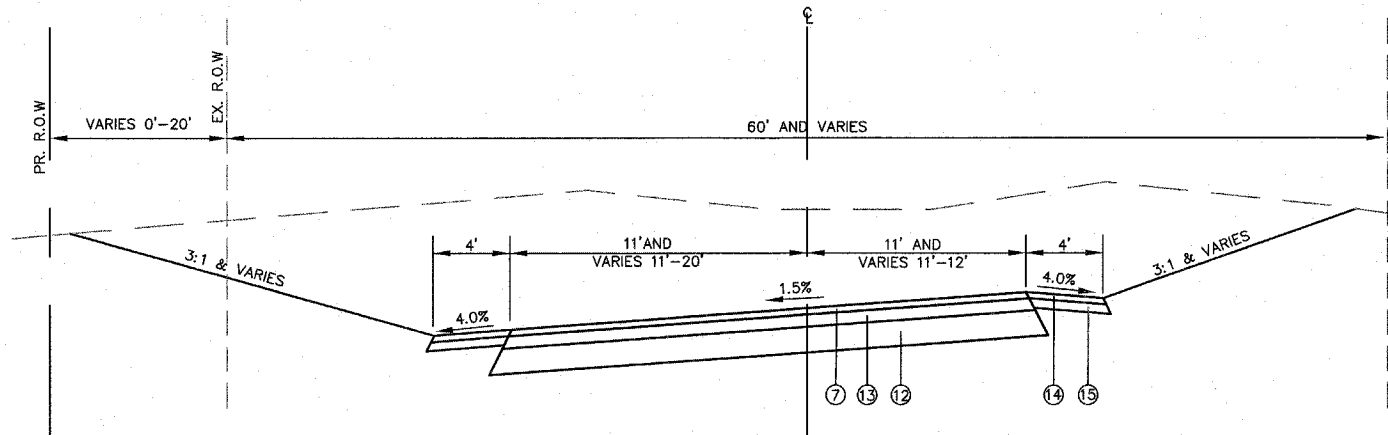
EXISTING TYPICAL SECTION
 STA. 206+79.85 TO STA. 390+34.63
 * STA. 390+05.47 TO STA. 390+31.81



SUPERELEVATION TRANSITION PROPOSED TYPICAL SECTION
 STA. 386+43.69 TO STA. 387+84.61
 STA. 389+61.35 TO STA. 390+36.63



PROPOSED TYPICAL SECTION
 STA. 206+79.85 TO STA. 386+43.69



SUPERELEVATION PROPOSED TYPICAL SECTION
 STA. 387+84.61 TO STA. 389+61.35


MIXTURE REQUIREMENTS				
MIXTURE	SURFACE	BINDER	SHOULDERS	BASECOURSE
AC / PG	P6 64.22	P6 64.22	SEC 482.04: OPTION OF CONTRACTOR	
RAP %	10%	15%		
DESIGN AIR VOIDS	4% @ Ndes = 70	4% CNdes = 70		
GRADATION		IL 19		
FRICTION AGG	MIX C	MIX B		

LEGEND

- EXISTING HMA SURFACE COURSE, MIX C, CLASS 1, TYPE 2, 2"
- EXISTING HMA BINDER COURSE TYPE 2, 2"
- EXISTING LEVELING BINDER 0"-5"
- EXISTING OIL & CHIP
- EXISTING AGGREGATE BASE COURSE
- EXISTING CURB
- PROPOSED H.M.A. SURFACE COURSE, MIX "C", N70, 2"
- PROPOSED H.M.A. BINDER COURSE IL-19.0, N70, 2"
- PROPOSED AGGREGATE PRIME COAT
- PROPOSED BIT PRIME COAT
- PROPOSED AGGREGATE WEDGE SHOULDERS -TYPE B
- PROPOSED AGGREGATE BASE COURSE TYPE A, 8"
- PROPOSED H.M.A. BINDER COURSE IL-19.0, N70, 3 1/2"
- PROPOSED H.M.A. SHOULDER SURFACE COURSE, MIX "C", N70, 2"
- PROPOSED H.M.A. SHOULDER BINDER COURSE, IL 19, N70, 3 1/2"
- PROPOSED TYPE A GUTTER

P:\06-0032 County Highway 12.dwg 06/0032-TYPS-01.dwg 10/31/2007 10:32:00 AM CDT

Kaskaskia Engineering Group L.L.C.
 23 Public Square Suite 404
 Belleville, Illinois 62220
 Office: (618) 233-5877 Fax: (618) 233-5977
 www.kaskaskiaeng.com
 A Disadvantaged Business Enterprise

PREPARED BY: 
 PROFESSIONAL REGISTRATIONS LICENSE NO. 19-00773
 ILMS PROFESSIONAL DESIGN FIRM 20-000066

REV	DATE	DESCRIPTION
△	XX/XX/XX	XXXXXXXX
△	XX/XX/XX	XXXXXXXX

SHEET TITLE: TYPICAL SECTIONS
 PROJECT TITLE: COUNTY HIGHWAY 12 (F.A.S. 833)
 SECTION 06-00080-00-RS
 RESURFACING & REHABILITATION
 WASHINGTON COUNTY, ILLINOIS

DESIGNED BY: CHA	SHEET
DRAWN BY: CHA	4
CHECKED BY: TJM	
DATE OF PRELIMINARY: 11/9/2007	
DATE OF FINAL: 12/28/2007	
SHEET NO. 4 OF 94 SHEETS	
PROJECT NUMBER 06-0032	