

211 N. Broadway
 Suite 100
 St. Louis, MO 63102
 (314) 241-4300
 (314) 241-4305
 FAX (314) 241-4305

KAI

LEWIS AND CLARK MEMORIAL TOWER
VILLAGE OF HARTFORD, ILLINOIS
 HARTFORD, ILLINOIS 62049

SHEET TITLE
PHASE 2A SIT PLAN

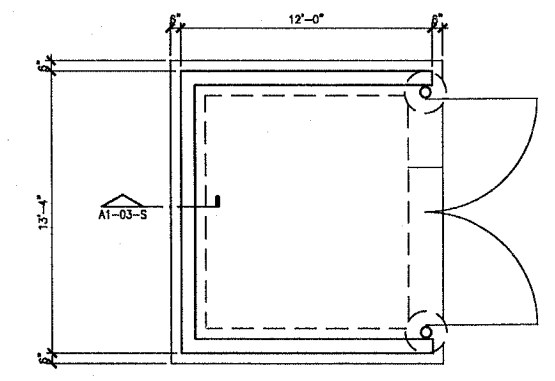
REV. NO.	DATE	REMARKS

KENNEDY PROJECT NO
 KAI# 10-02048

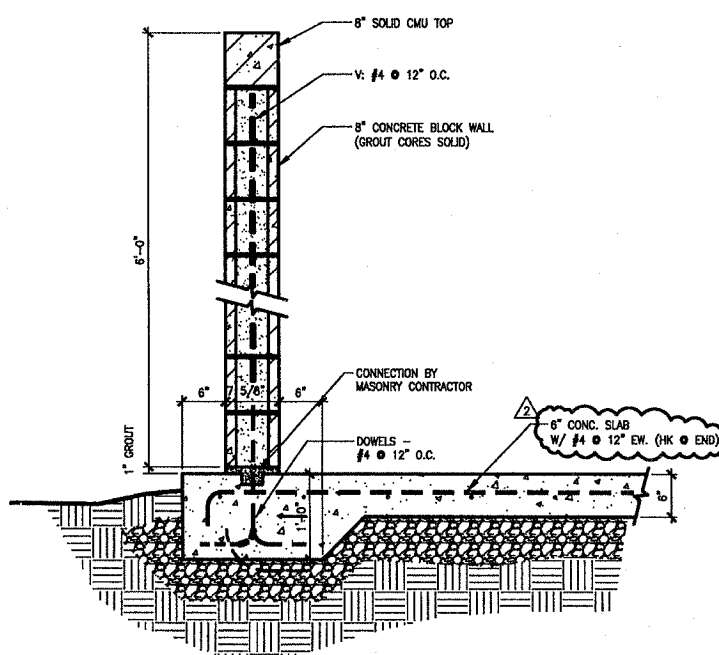
ISSUE DATE
 APRIL 11, 2008

SHEET NO
A1-03

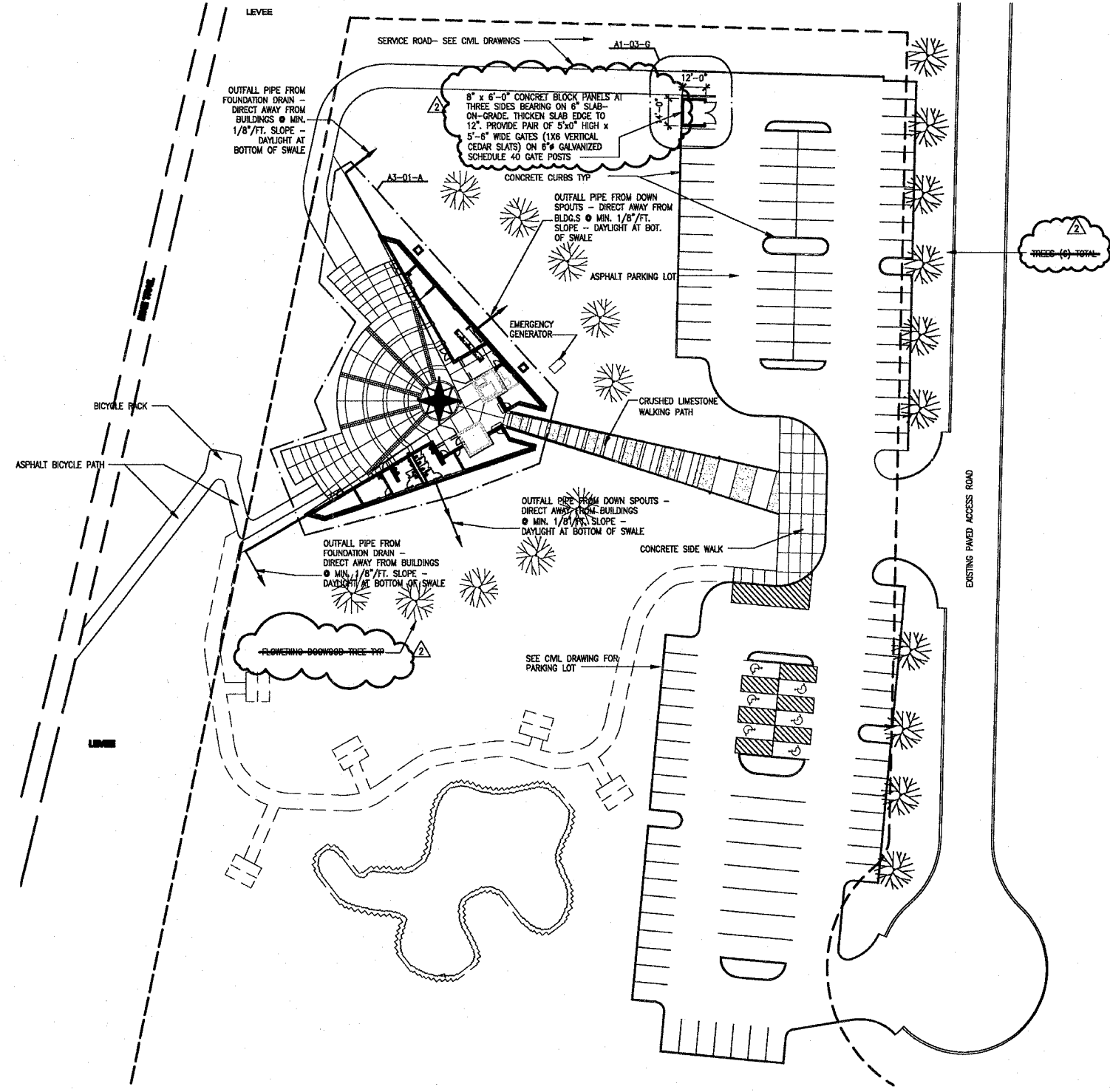
© 2008 KENNEDY ASSOCIATES INCORPORATED



G DUMPSTER ENCLOSURE
 1/4" = 1'-0"



S DUMPSTER ENCLOSURE
 1" = 1'-0"



A PHASE 2 SITE PLAN
 1/32" = 1'-0"
 PLAN NORTH
 REVISED 3-3-08

Drawing Stamp Information