

F.A. RTE.	SECTION	COUNTY	TOTAL SHEETS	SHEET NO.
	03-00026-00-PK 06-00026-01-MS	MADISON	53	24

FEDERAL AID PROJECT

GENERAL NOTES:

- ALL DOOR DIMENSIONS ARE 3'-0" x 7'-0" UNLESS NOTED OTHERWISE.
- SEE FINISH SCHEDULE FOR DOOR AND FRAME FINISHES.

211 N. Broadway  
Suite 1900  
St. Louis, MO 63102  
(314) 241-8188  
FAX (314) 241-0125

**KAI**

**LEWIS AND CLARK MEMORIAL TOWER  
VILLAGE OF HARTFORD, ILLINOIS  
HARTFORD, ILLINOIS 62049**

SHEET TITLE:  
**MOUNTING HEIGHTS/  
PARTITION TYPES  
DOOR INFORMATION**

DATE	REMARKS	REV. NO.

KENNEDY PROJECT NO  
KAI# 10-02048

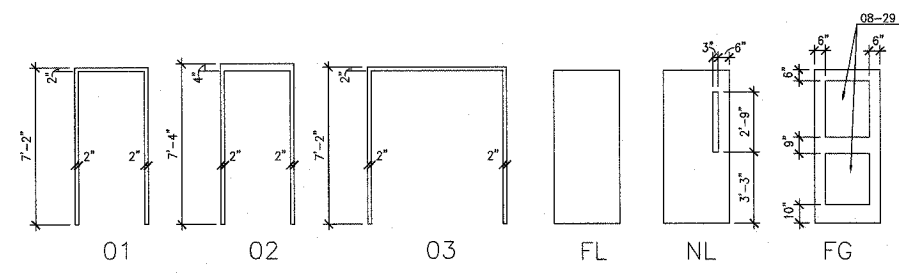
ISSUE DATE  
APRIL 11, 2008

SHEET NO

**A2-01**

© 2008 KENNEDY ASSOCIATES INCORPORATED

DOOR TYPE	DOOR ELEV.	DOOR MATERIAL	FRAME ELEV.	DOOR RATING	REMARKS
A	FL	HM	01		
B	NL	HM/GL	01		PROVIDE PATTERNED GLASS IN LITE
C	FG	AL/GL	01		INSTALL TEMPERED INSULATED GLASS
D	NL	HM/GL	01	1 1/2 HOUR	INSTALL FIRE-RATED GLASS @ LITE
E	FL	HM	02		
F	FG	AL/GL	03		INSTALL TEMPERED INSULATED GLASS
G	FL	HM	03		

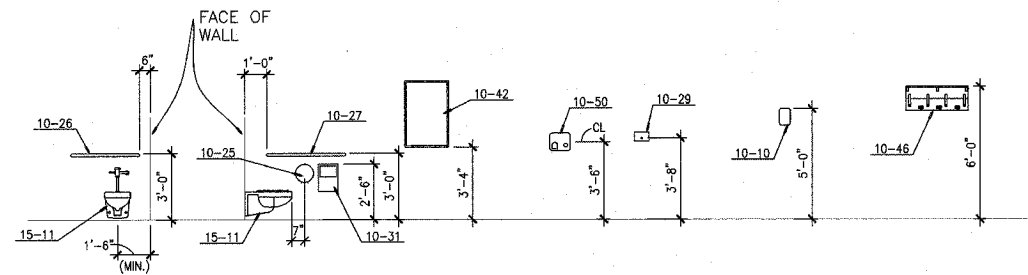


**DOOR ELEV. LEGEND**  
FL FLUSH  
FG FULL GLASS  
NL NARROW LITE

**DOOR MATERIAL LEGEND**  
HM HOLLOW METAL  
GL GLASS  
AL ALUMINUM

**FRAME ELEVATION**  
1/4"=1'-0"

**DOOR ELEVATIONS**  
1/4"=1'-0"



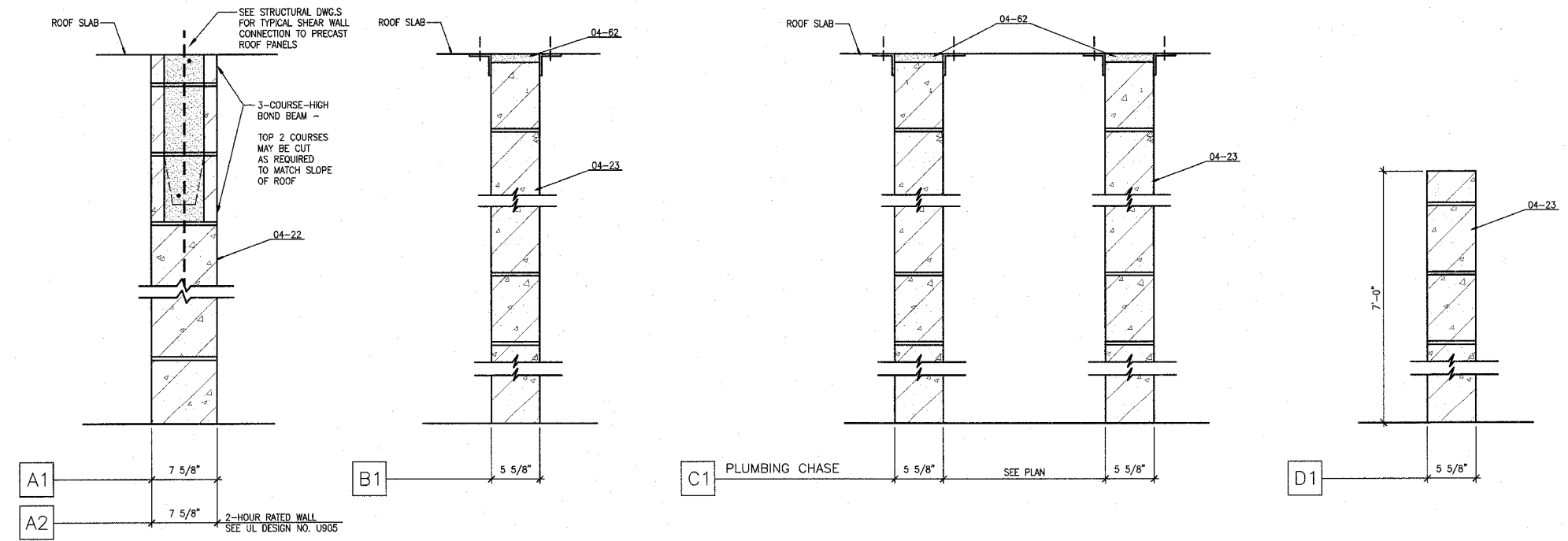
**TYP. MOUNTING HEIGHTS**  
1/4"=1'-0"

ROOM NO.	ROOM NAME	FLOOR	WALLS	CEILING FINISH	CEILING HEIGHT	REMARKS
101	MECHANICAL	SC	---	---	VARIES	PAINT DOORS & FRAMES WITH HPC
102	VENDING	STC	HPC	AP/HPC	VARIES	
103	GIFT SHOP	STC	HPC	AP/HPC	VARIES	
104	CONTROL DESK	STC	HPC	AP/HPC	VARIES	
105	LOBBY	*	---	HPC	VARIES	*COLORED CONC. - PART OF PLAZA PAVING
106	ELEVATOR MECHANICAL	SC	---	---	VARIES	PAINT DOORS & FRAMES WITH HPC
107	ELECTRICAL	SC	---	---	VARIES	PAINT DOORS & FRAMES WITH HPC
108	PUMPS	SC	---	---	VARIES	PAINT DOORS & FRAMES WITH HPC
109						NOT USED
110	WOMEN	SC	HPC	HPC	VARIES	PAINT DOORS & FRAMES WITH HPC
111	MEN	SC	HPC	HPC	VARIES	PAINT DOORS & FRAMES WITH HPC
112	ELECTRICAL / JANITOR	SC	---	---	VARIES	PAINT DOORS & FRAMES WITH HPC
113	STORAGE	SC	---	---	VARIES	PAINT DOORS & FRAMES WITH HPC

SC SEALED CONCRETE  
STC STAINED CONCRETE  
HPC HIGH PERFORMANCE COATING  
AP ACOUSTICAL PANEL

KEYED NOTES:

- 04-22 8" CONCRETE MASONRY UNIT
- 04-23 6" CONCRETE MASONRY UNIT
- 04-62 COMPRESSIBLE FILLER
- 10-10 TACTILE SIGN PLATE
- 10-25 ACCESSIBLE TOILET TISSUE DISPENSER
- 10-26 36" GRAB BAR
- 10-27 42" GRAB BAR
- 10-29 ACCESSIBLE SOAP DISPENSER
- 10-31 ACCESSIBLE SANITARY NAPKIN DISPOSAL
- 10-42 MIRROR
- 10-46 UTILITY SHELF WITH HOOKS
- 10-50 ELECTRIC HAND DRYER
- 15-11 ACCESSIBLE WATER CLOSET



**PARTITION TYPES**  
1-1/2"=1'-0"

**DOOR FRAME / LOUVER DETAIL**  
1-1/2"=1'-0"

Drawing Stamp Information