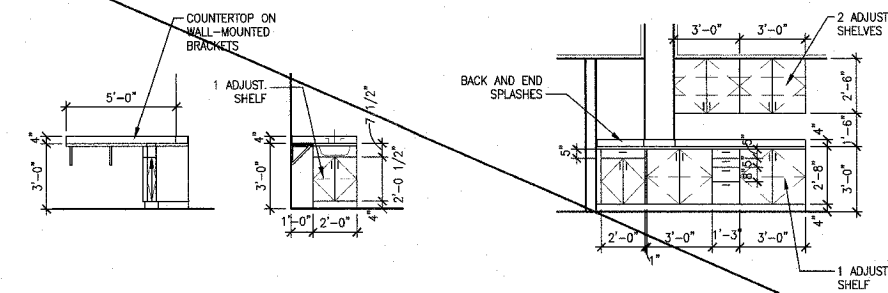


F.A. RTE.	SECTION	COUNTY	TOTAL SHEETS	SHEET NO.
	03-00026-00-PK	MADISON	53	32
	06-00026-01-MS			

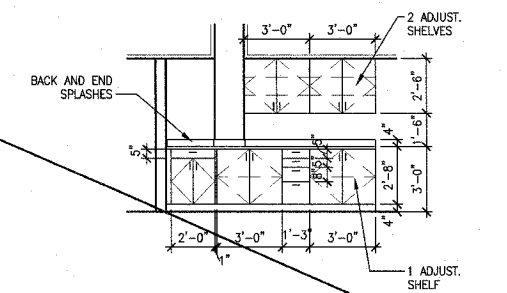
FEDERAL AID PROJECT

KEYED NOTES:

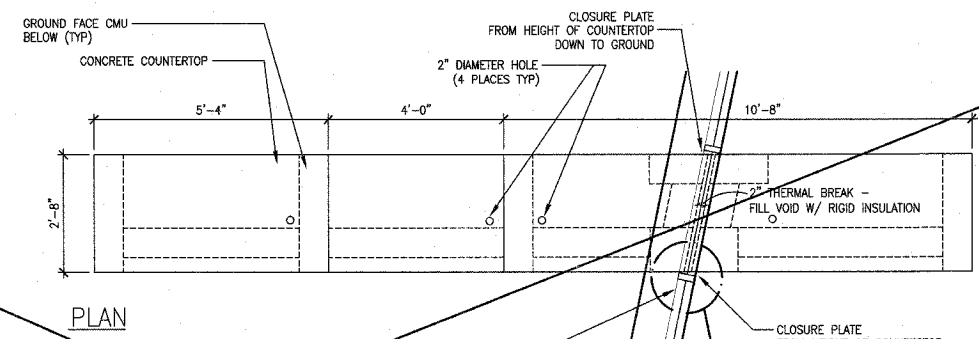
- 03-21 EXISTING PRECAST CONCRETE WALL
- 03-65 EXISTING PRECAST CONCRETE CONDUCTOR HEAD
- 05-54 #5 DOWELS
- 06-03 2 X TREATED WOOD BLOCKING
- 07-09 RIGID ROOF INSULATION
- 07-26 FLASHING
- 07-27 COUNTER FLASHING
- 07-28 EXTRUDED ALUMINUM COPING
- 07-37 ROOF HATCH
- 07-44 SEALANT
- 07-48 EPDM MEMBRANE
- 07-49 EPDM ROOFING
- 07-51 LAP SEALANT



A ELEVATION @ VENDING
1/4"=1'-0"

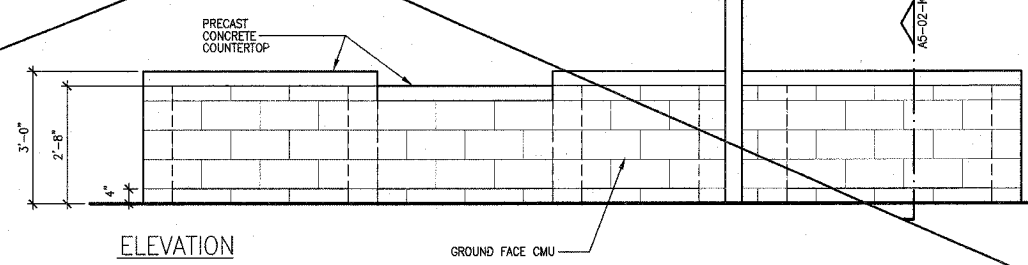


B CABINETS @ CONTROL DESK
1/4"=1'-0"



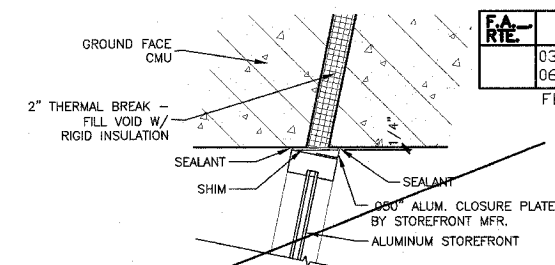
PLAN

OMIT FROM CONTRACT

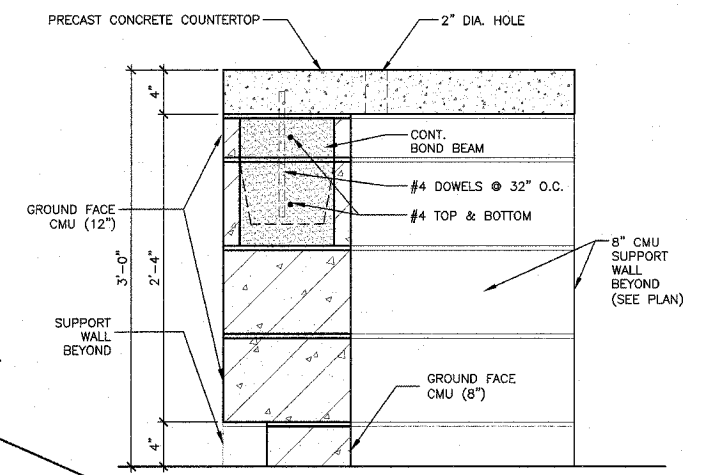


ELEVATION

J COUNTER @ CONTROL DESK
1/2"=1'-0"



F PLAN DETAIL
1-1/2"=1'-0"
DETAIL BELOW COUNTER



K SECTION THRU CONTROL DESK
1-1/2"=1'-0"

211 N Broadway
Suite 1900
St. Louis, MO
63102
(314) 241-8188
FAX (314) 241-0125

KAI

LEWIS AND CLARK MEMORIAL TOWER
VILLAGE OF HARTFORD, ILLINOIS
HARTFORD, ILLINOIS 62049

SHEET TITLE:
DETAILS

REV. NO.	REMARKS	DATE

KENNEDY PROJECT NO
KAI# 10-02048

ISSUE DATE
APRIL 11, 2008

SHEET NO

A5-02