

F.A. RTE.	SECTION	COUNTY	TOTAL SHEETS	SHEET NO.
	03-00026-00-PK 06-00026-01-MS	MADISON	53	39

FEDERAL AID PROJECT

211 N. Broadway
Suite 1900
St. Louis, MO 63102
(314) 241-8188
FAX (314) 241-0125

KAI

LEWIS AND CLARK MEMORIAL TOWER
VILLAGE OF HARTFORD, ILLINOIS
HARTFORD, ILLINOIS 62049

SHEET TITLE:
**LEGEND, SCHEDULES
AND DETAILS
PLUMBING**

DATE	
REMARKS	
REV. NO.	

KENNEDY PROJECT NO
KAI# 10-02048

ISSUE DATE
APRIL 11, 2008

SHEET NO

P4-01

© 2008 KENNEDY ASSOCIATES INCORPORATED

PLUMBING FIXTURE CONNECTION SCHEDULE							
MARK	DESCRIPTION	WASTE	TRAP	VENT	COLD WATER	HOT WATER	REMARKS
WC-1	WATER CLOSET, WALL HUNG	4"	-	2"	1 1/2"	-	ADA, 17"A.F.F., ELEC. FLUSH VALVE
WC-2	WATER CLOSET, WALL HUNG	4"	-	2"	1 1/2"	-	15"A.F.F., ELEC. FLUSH VALVE
UR-1	URINAL, WALL HUNG	2"	-	2"	1"	-	ADA, 17"A.F.F., ELEC. FLUSH VALVE
UR-2	URINAL, WALL HUNG	2"	-	2"	1"	-	24"A.F.F., ELEC. FLUSH VALVE KOHLER#K-5016-ET/SLOAN#186-1.0ES-S
LAV-1	LAVATORY	2"	1 1/2"	1 1/2"	1/2"	1/2"	ADA, ELEC. FAUCET
DF-1	DRINKING FOUNTAIN	1 1/2"	-	1 1/4"	1/2"	-	(ADULT) ADA, 40"/36"A.F.F. RN WILLIAMS#BF-5000 FP
MB-1	MOP BASIN, FLOOR SET	3"	-	2"	3/4"	3/4"	MANUAL FAUCET STERN WILLIAMS#SB-902/T-10-VB/T-35/T-40/BP
HY-1	HYDRANT	-	-	-	3/4"	-	RECESSED, FREEZE PROOF RECESSED, FREEZE PROOF
SK-1	SINGLE BOWL SINK	2"	1 1/2"	1 1/2"	1/2"	1/2"	MAN. FAUCET ELKAY#DE-11515/S-23

NOTE: 1. SIZES LISTED ARE MINIMUM CONNECTIONS REQUIRED TO FIXTURES.

DRAIN SCHEDULE					
MARK	MANUFACTURER	MODEL NO.	OUTLET SIZE	STRAINER MATERIAL	REMARKS
FD-1	J.R.SMITH	2010	3"	NICKEL BRONZE	TOILET ROOM
FD-2	J.R.SMITH	2110	4"	CAST IRON	MECHANICAL ROOM AND MECH./PUMP ROOM
FD-3	J.R.SMITH	3710SC	4"	CAST IRON	ELEVATOR SUMP IN ELECTRICAL ROOM

NOTE:

MISCELLANEOUS EQUIPMENT					
MARK	MANUFACTURER	MODEL NO.	CONNECTIONS	INSTALLATION	USE/LOCATION
RBBP-1	FEBCO	860	2 1/2"	HORIZONTAL	DOMESTIC WATER/MECHANICAL ROOM
RBBP-2	FEBCO	860	1"	HORIZONTAL	FOUNTAIN/MECHANICAL ROOM
SP-1	STANCOR	SE50	2"	IN PIT	SUMP PUMP/ELEVATOR PIT

NOTE:

ELECTRIC WATER HEATER SCHEDULE							
MARK	MANUFACTURER	MODEL NO.	STORAGE	RECOVERY	ELEMENT	VOLT/PH	REMARKS
WH-1	BRADFORD WHITE	LD-WH30L3-1C015	30 GAL.	6 GPH	1.5KW	120/1	JANITOR CLOSET
WH-2	BRADFORD WHITE	ES-4000-1-S-10	-	-	4.1 KW	208/3	UNDER SK-1

NOTE: RECOVERY BASED ON 90° RISE

SYMBOLS & ABBREVIATIONS

PLUMBING

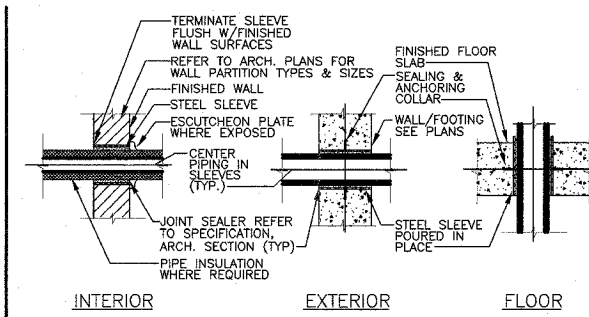
PLUMBING ABBREVIATION

AD	AREA DRAIN
BT	BATH TUB
CO	CLEAN OUT
CW	COLD WATER
DF	DRINKING FOUNTAIN
EWC	ELECTRIC WATER COOLER
FCO	FLOOR CLEANOUT
FD	FLOOR DRAIN
F.F.	FINISH FLOOR
FS	FLOOR SINK
HW	HOT WATER
HWR	HOT WATER RETURN
HWRP	HOT WATER RECIRCULATING PUMP
HY	HYDRANT
INV. EL.	INVERT ELEVATION
LAV	LAVATORY
MB	MOP SERVICE BASIN
PR	PLUMBING RISER
RBBP	BACKFLOW PREVENTER (REDUCED PRESSURE)
SH	SHOWER
SK	SINK
TD	TRENCH DRAIN
TYP.	TYPICAL
V	VENT
VTR	VENT THRU ROOF
W	WASTE
WH	WATER HEATER
WS	WATER SOFTNER
WCO	WALL CLEANOUT
WC	WATER CLOSET
VS	VENT STACK
UR	URINAL

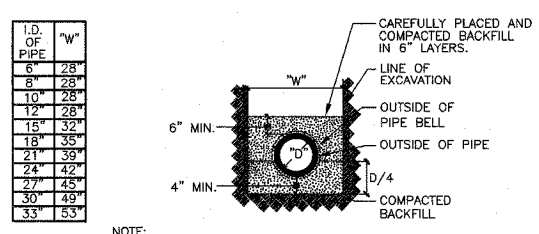
PIPING SPECIALTIES

	GATE VALVE
	CHECK VALVE
	CIRCUIT SETTER
	BALL VALVE
	BALANCING COCK
	UNION
	STRAINER
	REDUCE PRESSURE BACKFLOW PREVENTER
	THERMOMETER
	GAUGE
	PRESSURE/TEMPERATURE TEST PLUG
	FLOW MEASURING DEVICE
	INDICATES PLUMBING RISER & DRAWING REFERENCE
	CW COLD WATER
	HW HOT WATER (105°)
	HWR HOT WATER RETURN
	V SANITARY VENT
	ST STORM
	S or W SOIL or WASTE
	VTR VENT THRU ROOF AND FLASH
	CO CLEANOUT
	FCO FLOOR CLEANOUT
	WCO WALL CLEANOUT
	FD FLOOR DRAIN
	FS FLOOR SINK
	HB HOSE BIBB
	ELBOW, TURNED UP
	ELBOW, TURNED DOWN
	BRANCH CONNECTION, TOP
	BRANCH CONNECTION, BOTTOM
	DIRECTION OF FLOW
	PIPE CAP OR BLIND FLANGE
	ACCESS PANEL

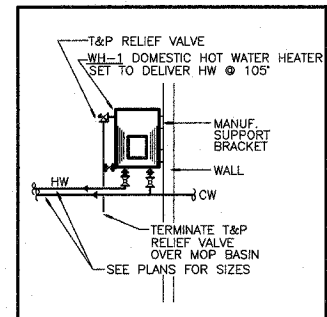
*NOT ALL OF THESE ITEMS ABOVE ARE ON THE PROJECT



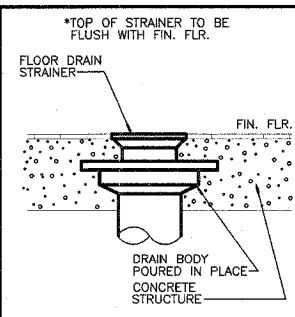
A SLEEVE DETAILS
N.T.S.



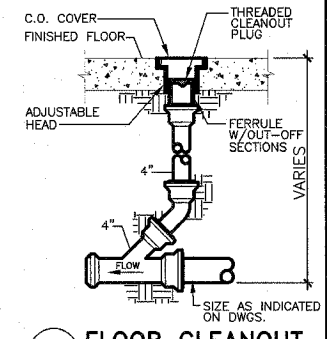
D CLASS "C" BEDDING DETAIL
N.T.S.



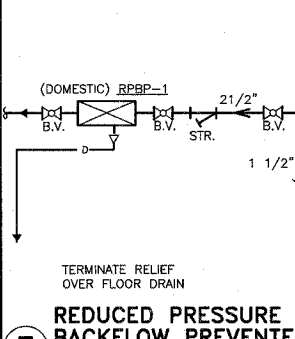
B WATER HEATER SUPPORT DETAIL
N.T.S.



DEI



E FLOOR CLEANOUT
N.T.S.



F REDUCED PRESSURE BACKFLOW PREVENTER
N.T.S.