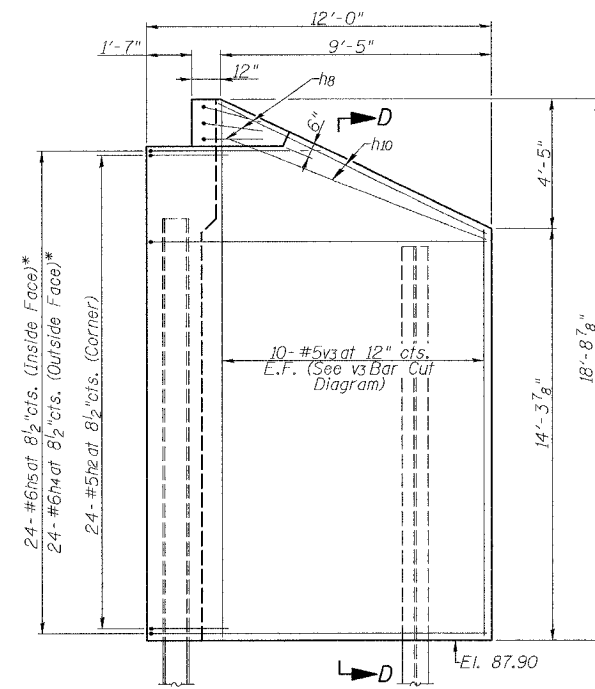
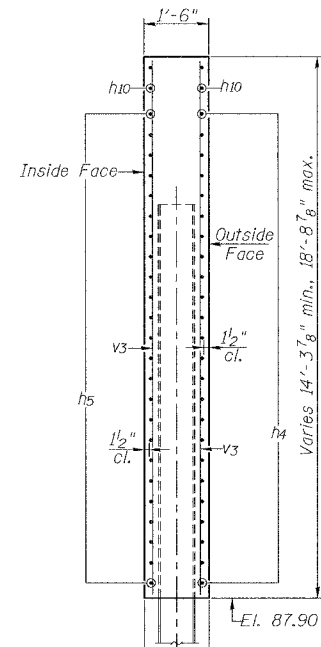


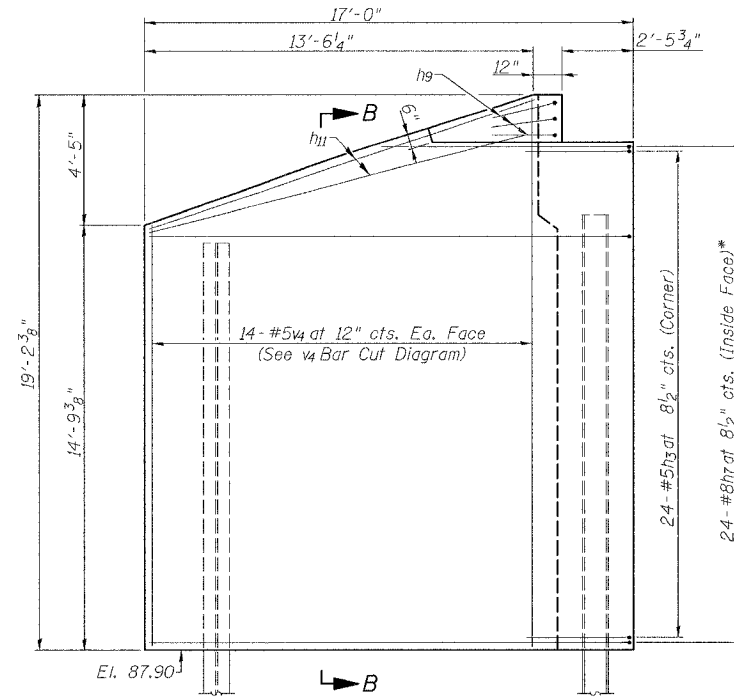
T.R. RTE.	SECTION	COUNTY	TOTAL SHEETS	SHEET NO.
50	05-03104-00-BR	JERSEY	12	9
CONTRACT NO. 97334				
FED. ROAD DIST. NO. ILLINOIS FED. AID PROJECT				



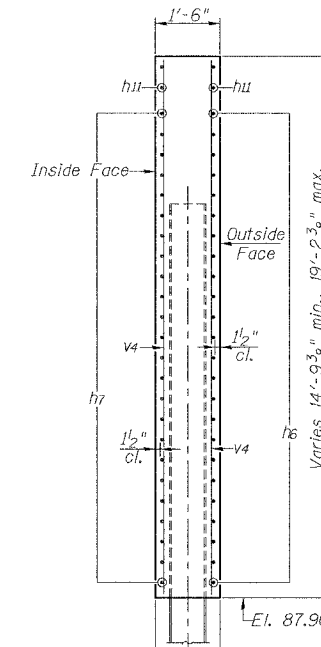
**WINGWALL ELEVATION**  
(South Abut. - West Wingwall)  
\* Field Cut as required



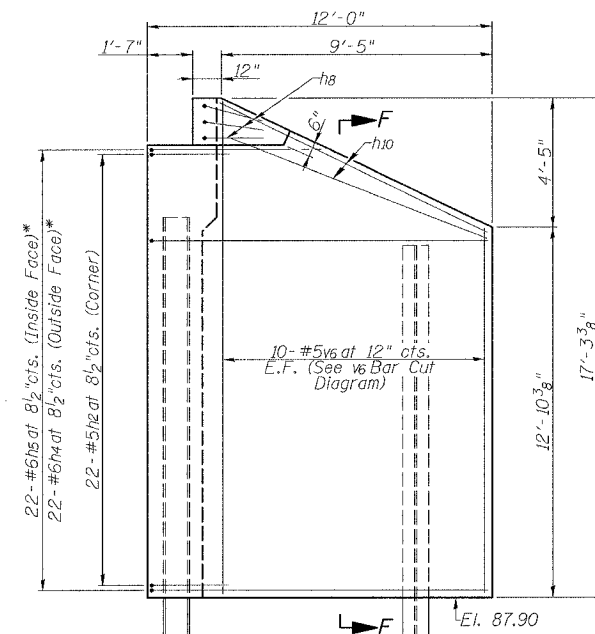
**SECTION D-D**



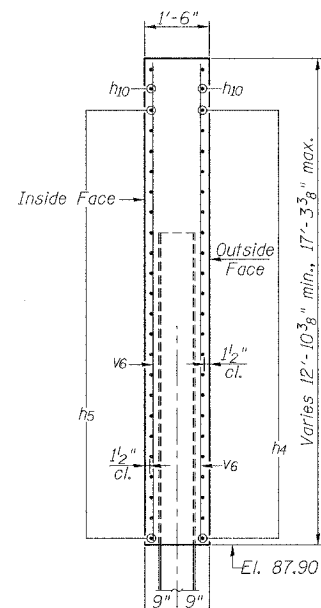
**WINGWALL ELEVATION**  
(South Abut. - East Wingwall)  
\* Field Cut as required



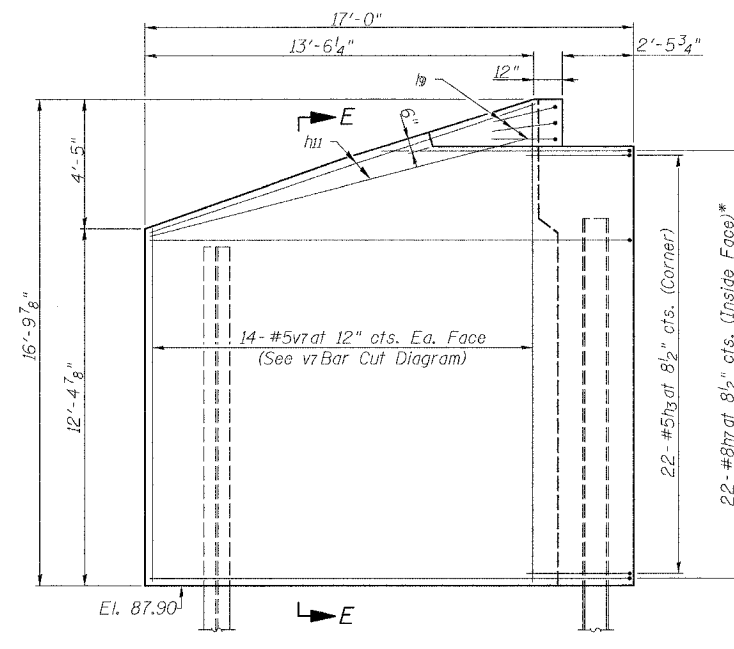
**SECTION B-B**



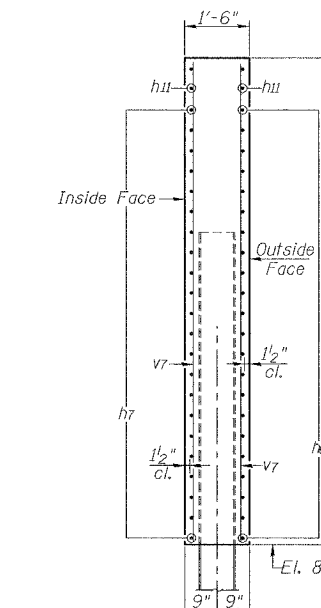
**WINGWALL ELEVATION**  
(North Abut. - East Wingwall)  
\* Field Cut as required



**SECTION F-F**



**WINGWALL ELEVATION**  
(North Abut. - West Wingwall)  
\* Field Cut as required



**SECTION E-E**

FILE NAME =	USER NAME = #USCR#	DESTIGNED	REVISED
#FIL#1		DRAWN	REVISED
	PLOT SCALE = #SCALE#	CHECKED	REVISED
	PLOT DATE = #DATE#	DATE	REVISED



**Allen Henderson & Associates, Inc.**  
Civil and Structural Engineers Springfield, IL  
62703 Phone: (217)544-8033 IL Design Firm  
No. 184-001907

**ABUTMENT DETAILS**

SCALE: \_\_\_\_\_ SHEET NO. 9 OF 12 SHEETS STA. 1+40 TO STA. 5+10

T.R. RTE.	SECTION	COUNTY	TOTAL SHEETS	SHEET NO.
50	05-03104-00-BR	JERSEY	12	9
CONTRACT NO. 97334				
FED. ROAD DIST. NO. ILLINOIS FED. AID PROJECT				