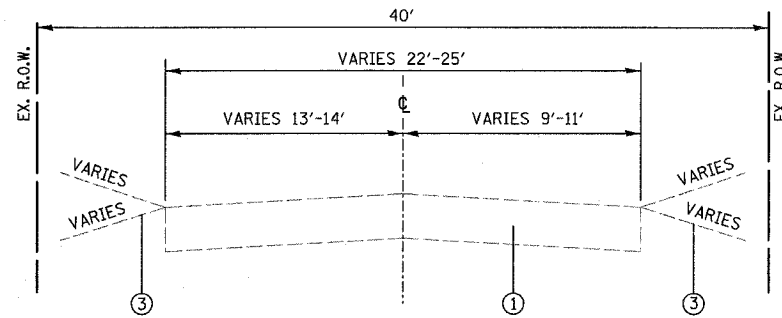
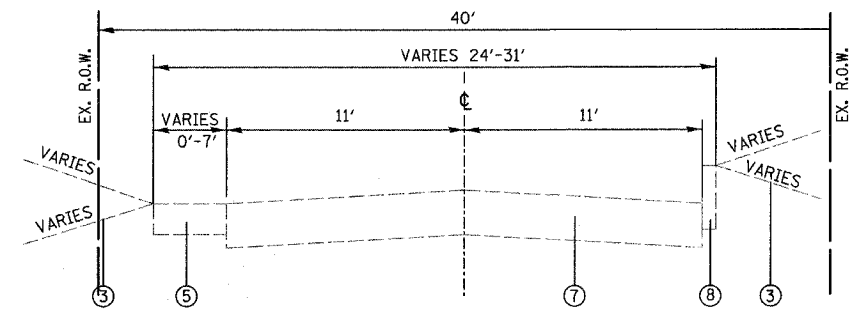


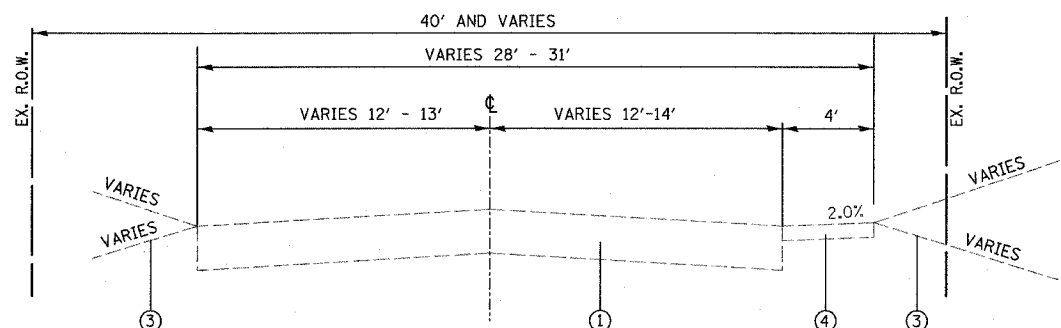
F.A.U. RTE.	SECTION	COUNTY	TOTAL SHEETS	SHEET NO.
9306	04-00042-01-PV	MONROE	42	6
STA. 21+49.70		TO STA. 32+80.06		
FED. ROAD DIST. NO.		ILLINOIS FED. AID PROJECT		



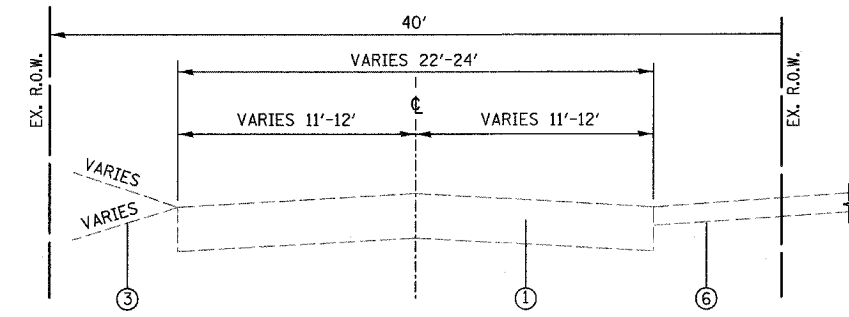
EXISTING LEGION STREET
STA. 26+06.96 TO STA. 27+17.14



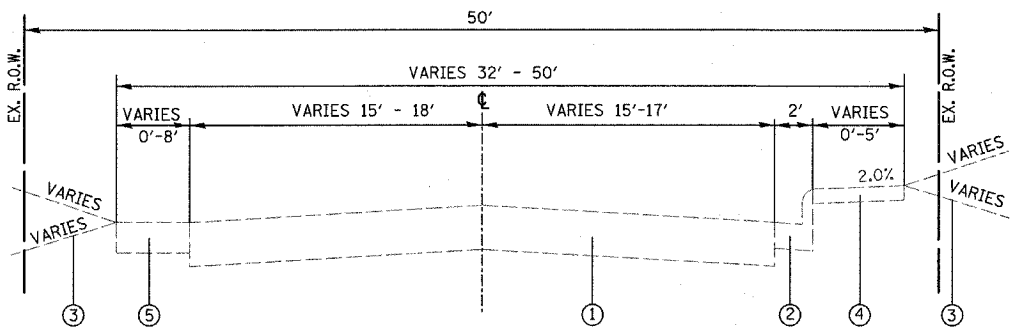
EXISTING LEGION STREET
STA. 32+20.04 TO STA. 32+80.06



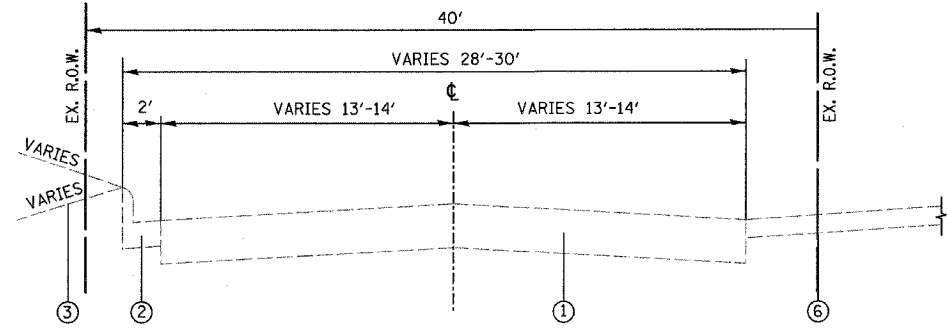
EXISTING LEGION STREET
STA. 25+14.17 TO STA. 26+06.96



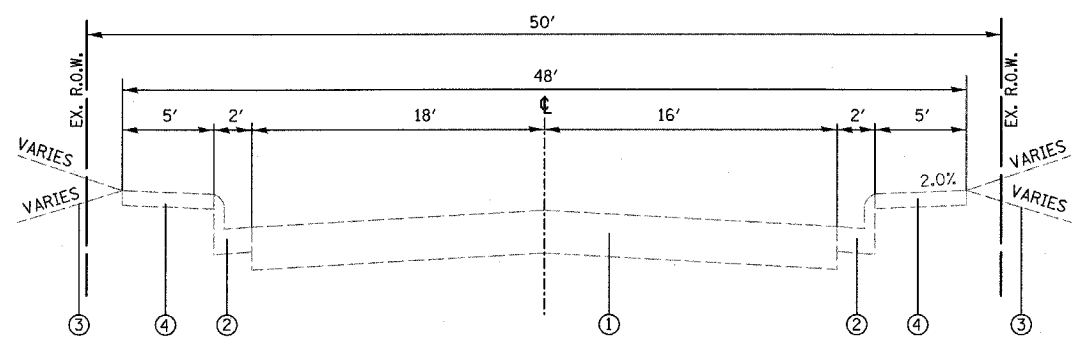
EXISTING LEGION STREET
STA. 31+12.35 TO STA. 32+20.04



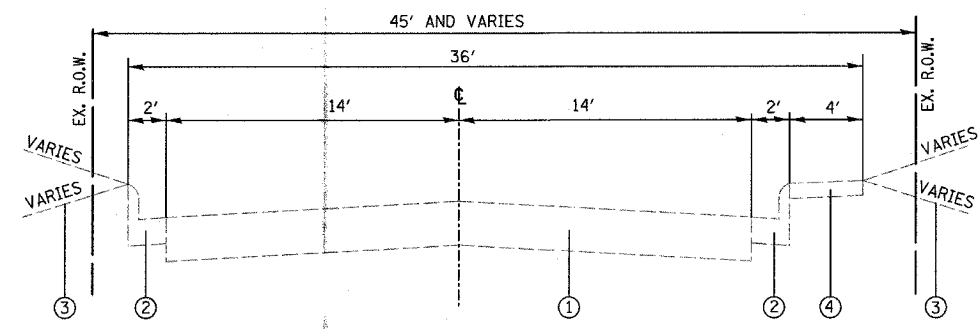
EXISTING LEGION STREET
STA. 22+11.68 TO STA. 25+14.17



EXISTING LEGION STREET
STA. 29+23.15 TO STA. 31+12.35



EXISTING LEGION STREET
STA. 21+49.70 TO STA. 22+11.68



EXISTING LEGION STREET
STA. 27+17.14 TO STA. 29+23.15

- ① EXISTING OIL & CHIP ROADWAY
- ② EXISTING COMBINATION CONCRETE CURB & GUTTER
- ③ EXISTING EARTH AREA
- ④ EXISTING CONCRETE SIDEWALK
- ⑤ EXISTING AGGREGATE SURFACE
- ⑥ EXISTING ASPHALT PARKING
- ⑦ EXISTING CONCRETE ROADWAY
- ⑧ EXISTING CONCRETE CURB
- ⑨ EXISTING CONCRETE PARKING
- ⑩ PROPOSED GRASS AREA
- ⑪ PROPOSED PORTLAND CEMENT CONCRETE SIDEWALK, 4"
- ⑫ PROPOSED COMBINATION CONCRETE CURB & GUTTER, TYPE B-6.18
- ⑬ PROPOSED PCC PAVEMENT, 7"
 - a. SEE HIGHWAY STANDARD BLR 10 FOR:
 - PAVEMENT JOINT LAYOUT DETAILS.
 - TRANSVERSE JOINT DETAILS.
 - EXPANSION JOINT DETAILS.
 - b. SEE HIGHWAY STANDARD 420001 FOR:
 - LONGITUDINAL JOINT DETAILS.
 - c. SEE HIGHWAY STANDARD 606001 FOR:
 - TIE BAR DETAILS ALONG THE EXISTING CURB.
 - d. PORTLAND CEMENT CONCRETE SHALL HAVE TYPE A FINISH.
- ⑭ PROPOSED MODIFIED SOIL
- ⑮ PROPOSED AGGREGATE BASE COURSE, TYPE A, 4"
- ⑯ PROPOSED PAVEMENT MARKING LINE - 4" (SOLID WHITE)
- ⑰ LONGITUDINAL SAWED JOINT, KEY JOINT, OR CONSTRUCTION JOINT (SEE PAVEMENT JOINT LAYOUT SHEETS)

REVISIONS	
NAME	DATE

ILLINOIS DEPARTMENT OF TRANSPORTATION

EXISTING TYPICAL SECTIONS

LEGION STREET
SECTION 04-00042-01-PV
MONROE COUNTY

PLOT DATE = 1/16/2008
PLOT NAME = 4566
PLOT SCALE = 1/8"=1'-0"
USER NAME = 41588