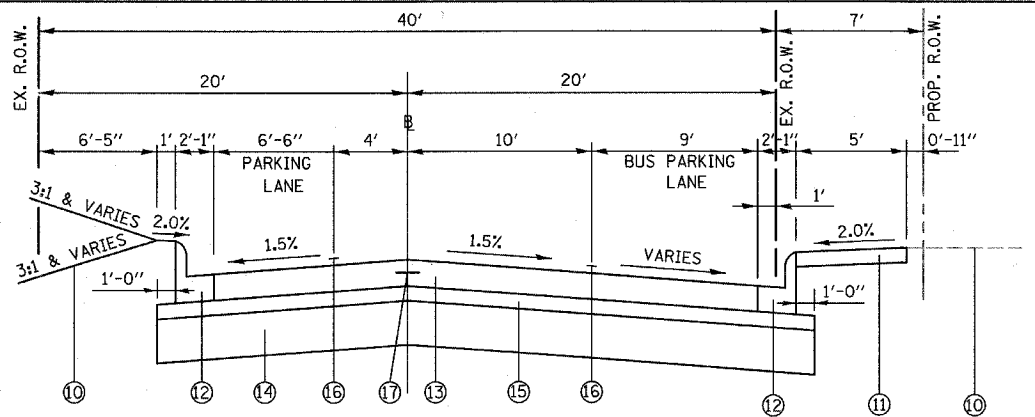
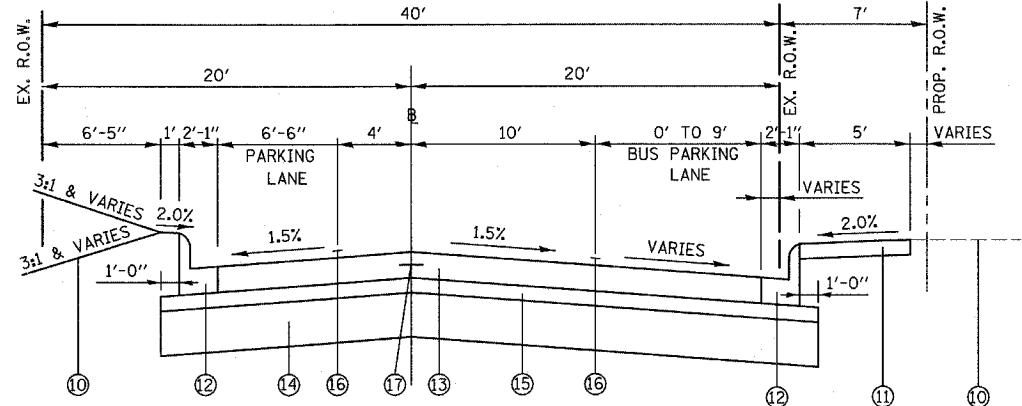


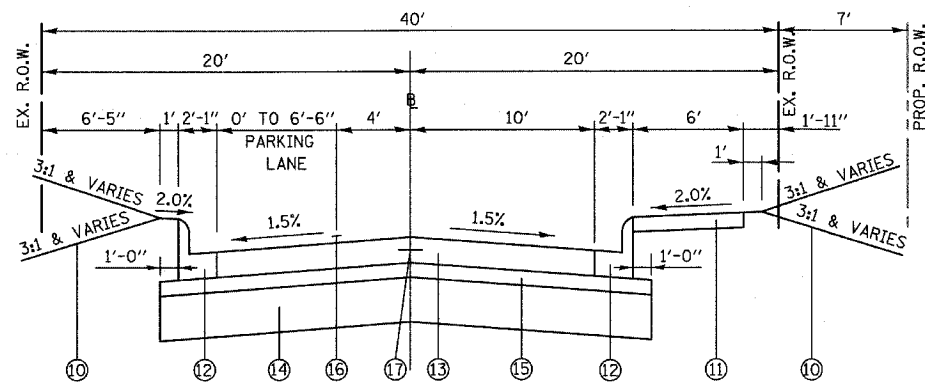
F.A.U. RT#	SECTION	COUNTY	TOTAL SHEETS	SHEET NO.
9306	04-00042-01-PV	MONROE	42	8
STA. 26+64.28		TO STA. 36+51.56		
TYPICAL SECTIONS				
FEDERAL AID PROJECT				



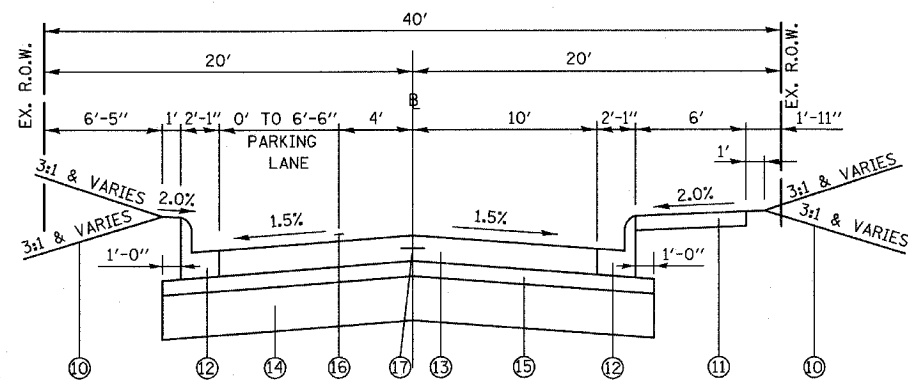
PROPOSED LEGION STREET
STA. 31+03.20 TO STA. 31+72.99



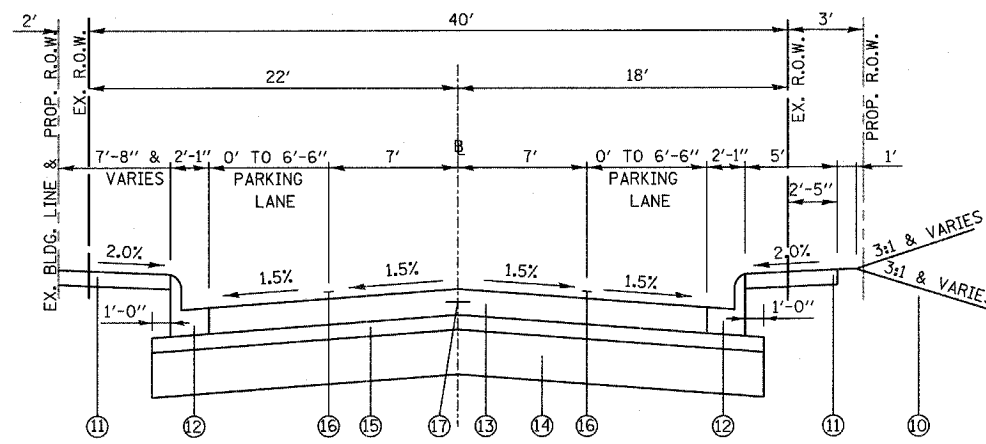
PROPOSED LEGION STREET
STA. 30+93.18 TO STA. 31+82.99



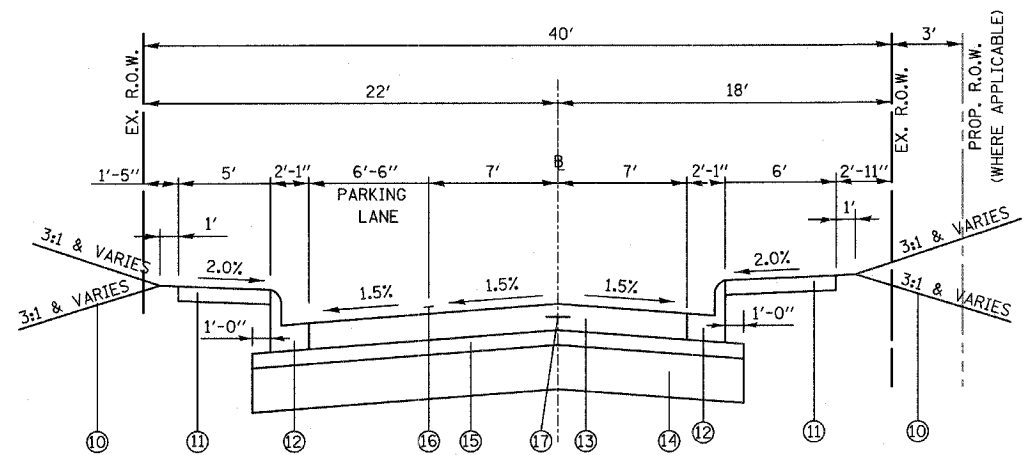
PROPOSED LEGION STREET
STA. 29+07.99 TO STA. 32+72.61



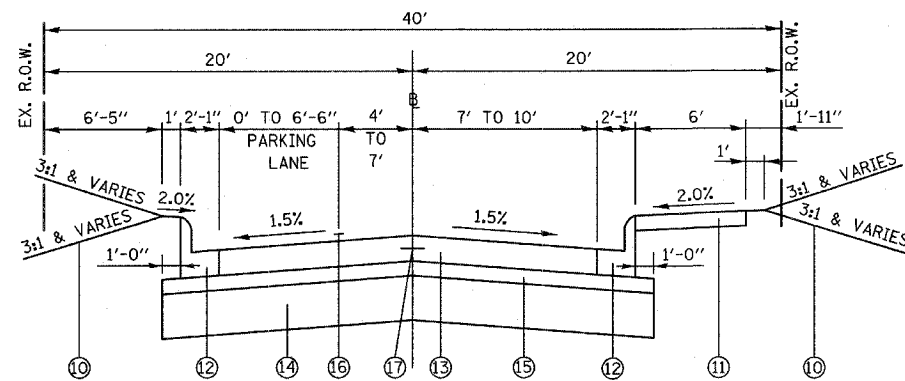
PROPOSED LEGION STREET
STA. 26+64.28 TO STA. 29+07.99



PROPOSED LEGION STREET
STA. 35+51.01 TO STA. 36+51.06



PROPOSED LEGION STREET
STA. 33+22.65 TO STA. 35+51.01



PROPOSED LEGION STREET
STA. 32+72.61 TO STA. 33+22.65

- ① EXISTING OIL & CHIP ROADWAY
- ② EXISTING COMBINATION CONCRETE CURB & GUTTER
- ③ EXISTING EARTH AREA
- ④ EXISTING CONCRETE SIDEWALK
- ⑤ EXISTING AGGREGATE SURFACE
- ⑥ EXISTING ASPHALT PARKING
- ⑦ EXISTING CONCRETE ROADWAY
- ⑧ EXISTING CONCRETE CURB
- ⑨ EXISTING CONCRETE PARKING
- ⑩ PROPOSED GRASS AREA
- ⑪ PROPOSED PORTLAND CEMENT CONCRETE SIDEWALK, 4"
- ⑫ PROPOSED COMBINATION CONCRETE CURB & GUTTER, TYPE B-6.18
- ⑬ PROPOSED PCC PAVEMENT, 7"
 - a. SEE HIGHWAY STANDARD BLR 10 FOR:
 - PAVEMENT JOINT LAYOUT DETAILS.
 - TRANSVERSE JOINT DETAILS.
 - EXPANSION JOINT DETAILS.
 - b. SEE HIGHWAY STANDARD 420001 FOR:
 - LONGITUDINAL JOINT DETAILS.
 - c. SEE HIGHWAY STANDARD 606001 FOR:
 - TIE BAR DETAILS ALONG THE EXISTING CURB.
 - d. PORTLAND CEMENT CONCRETE SHALL HAVE TYPE A FINISH.
- ⑭ PROPOSED MODIFIED SOIL
- ⑮ PROPOSED AGGREGATE BASE COURSE, TYPE A, 4"
- ⑯ PROPOSED PAVEMENT MARKING LINE - 4" (SOLID WHITE)
- ⑰ LONGITUDINAL SAWED JOINT, KEY JOINT, OR CONSTRUCTION JOINT (SEE PAVEMENT JOINT LAYOUT SHEETS)

MIXTURE REQUIREMENTS

20 YR ESAL'S	
MIXTURE USE	INCIDENTAL HOT-MIX ASPHALT SURF
AC/PG	PG 64-22
RAP% (MAX)	15%
DESIGN AIR Voids	4.0% @ NDES=50
MIX COMPOSITION (GRADATION MIXTURE)	
FRICITION AGG	MIXTURE C

REVISIONS	
NAME	DATE

ILLINOIS DEPARTMENT OF TRANSPORTATION

PROPOSED TYPICAL SECTIONS

LEGION STREET
SECTION 04-00042-01-PV
MONROE COUNTY

PLOT DATE = 4/16/2008
FILE NAME = #FILE#
PLOT SCALE = #SCALE#
USER NAME = #USER#