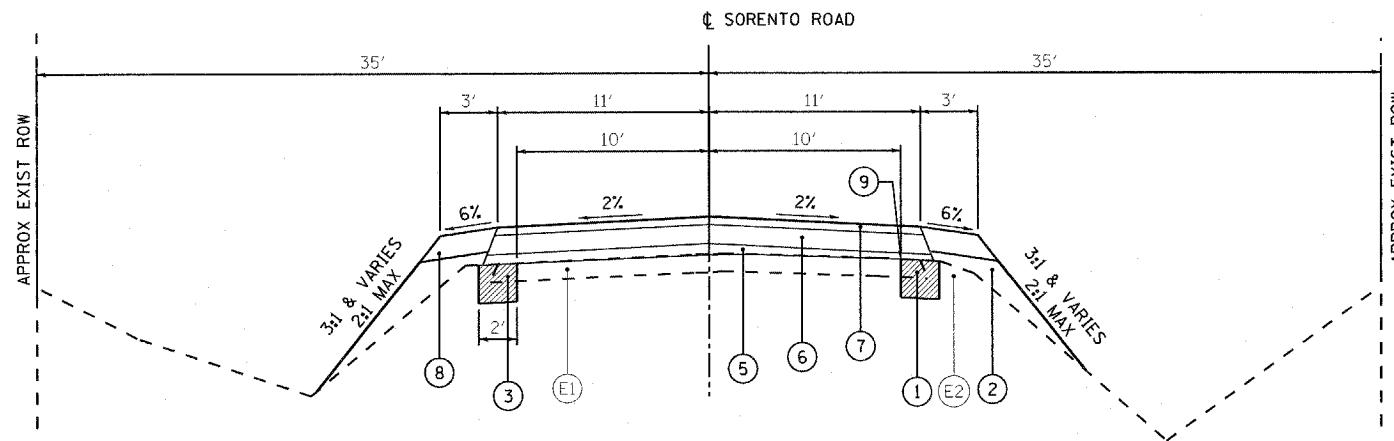


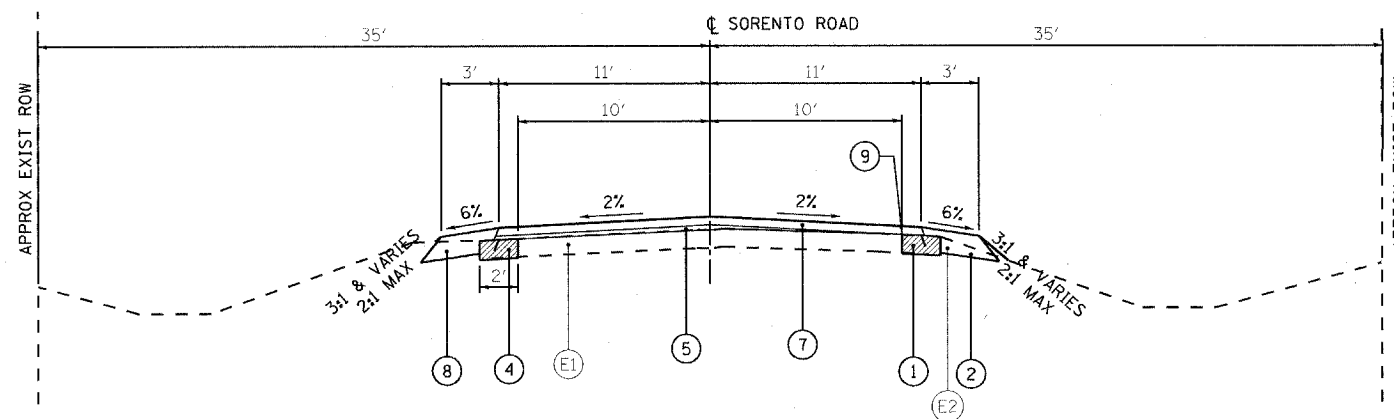
LEGEND

- ⓔ1 EXISTING OIL & CHIP
- ⓔ2 EXISTING EARTH SHOULDER
- ① EARTH EXCAVATION (WIDENING & SHOULDER)
- ② FURNISHED EXCAVATION
- ③ AGGREGATE BASE COURSE, 12"
- ④ HOT-MIX ASPHALT BASE COURSE WIDENING, 6"
- ⑤ HOT-MIX ASPHALT BINDER COURSE, IL-25.0, N50 (VAR DEPTH)
- ⑥ HOT-MIX ASPHALT BINDER COURSE, IL-25.0, N50 (3 1/2")
- ⑦ HOT-MIX ASPHALT SURFACE COURSE, MIX "C", N50 (1 1/2")
- ⑧ AGGREGATE SHOULDERS, TYPE A 4"
- ⑨ SAW CUT / MILLING LINE

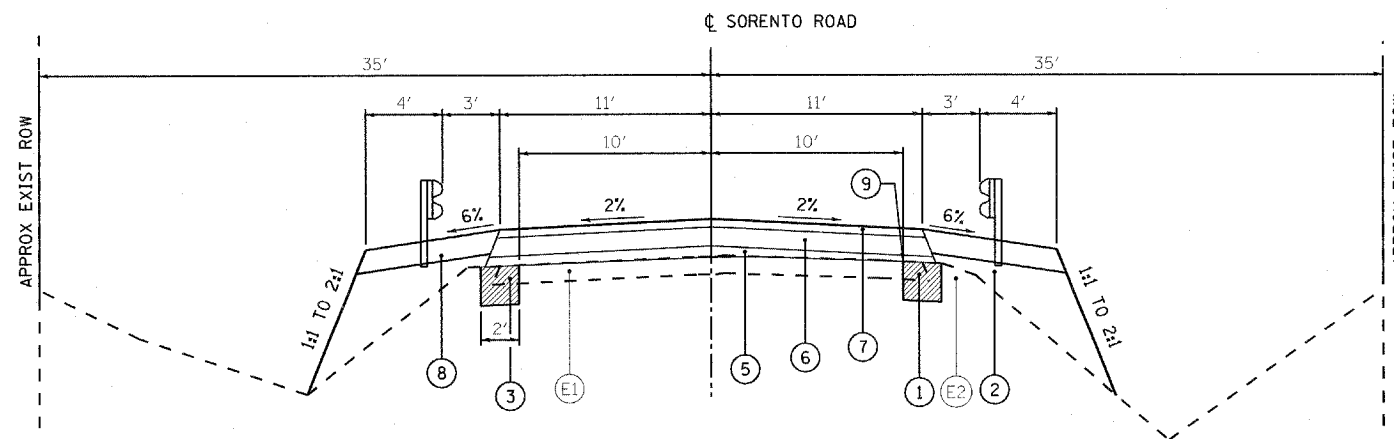
• SOME AREAS MAY NOT PROVIDE ENOUGH CLEARANCE FOR MINIMUM LIFTS OF BINDER COURSE TO BE PLACED. AREAS WHERE THE MINIMAL THICKNESS CAN NOT BE OBTAINED SHALL BE FILLED WITH SURFACE COURSE. THE RESULTING SURFACE COURSE THICKNESS MAY BE IN EXCESS OF THE PROPOSED 1 1/2 INCHES. SURFACE COURSE AND BINDER COURSE QUANTITIES HAVE BEEN MODIFIED TO ACCOMMODATE FOR CHANGES. WORK WILL BE PAID FOR BY THE ACTUAL MATERIALS PLACED IN THE FIELD AND MAXIMUM OVERRUNS ALLOWED BY THE STANDARD SPECIFICATIONS.



SORENTO ROAD (CR-18/FAS777)
STA 30+00.00 TO STA 120+95.50



SORENTO ROAD (CR-18/FAS777)
STA 125+00.00 TO STA 178+00.00



SORENTO ROAD (CR-18/FAS777)
SHOWING SECTION WITH GUARDRAIL
VARIOUS STATIONS

FILE NAME =
H:\5592\TypSections_5592.dgn

USER NAME = _USERDESCR_

DESIGNED - DLD

REVISED -

DRAWN - KOJ

REVISED -

CHECKED -

REVISED -

DATE - 1-17-08

REVISED -

**STATE OF ILLINOIS
DEPARTMENT OF TRANSPORTATION**

PROPOSED TYPICAL SECTIONS

SCALE: NONE SHEET NO. OF SHEETS STA. TO STA.

F.A.S. RTE.	SECTION	COUNTY	TOTAL SHEETS	SHEET NO.
777	05-00080-00-RS	BOND	90	5
CONTRACT NO. 97341				
FED. ROAD DIST. NO. 8 ILLINOIS FED. AID PROJECT				