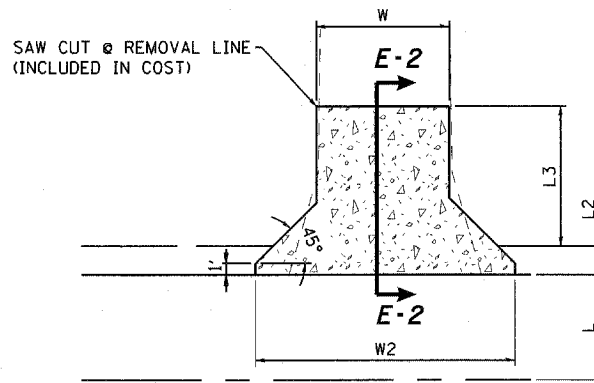
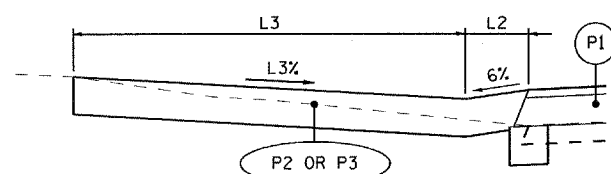


PLAN  
SHOWING AGGREGATE OR HMA ENTRANCE



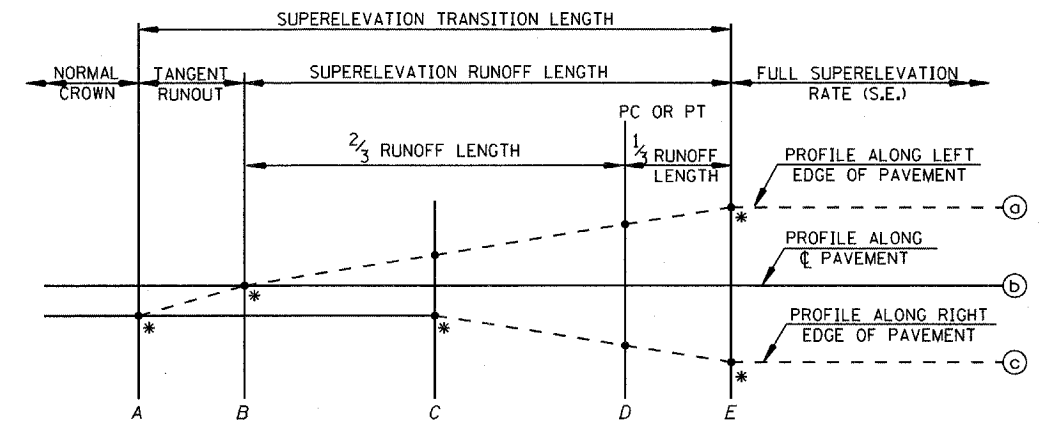
PLAN  
SHOWING P.C.C. ENTRANCE



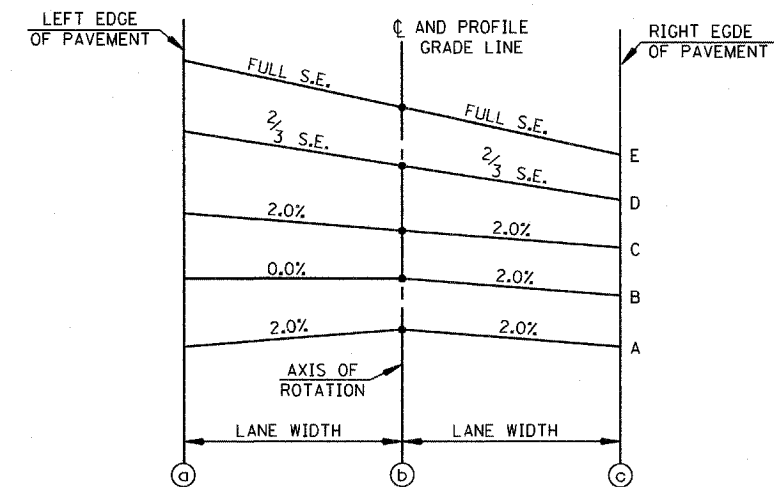
SECTION E-1 & E-2  
(NOT TO SCALE)

ENTRANCE DETAILS  
(NOT TO SCALE)

- SECTION LEGEND**
- (P1) PROPOSED ROADWAY PAVEMENT
  - (P2) INCIDENTAL HOT-MIX ASPHALT SURFACING
  - (P3) AGGREGATE SURFACE COURSE, TYPE A 6"

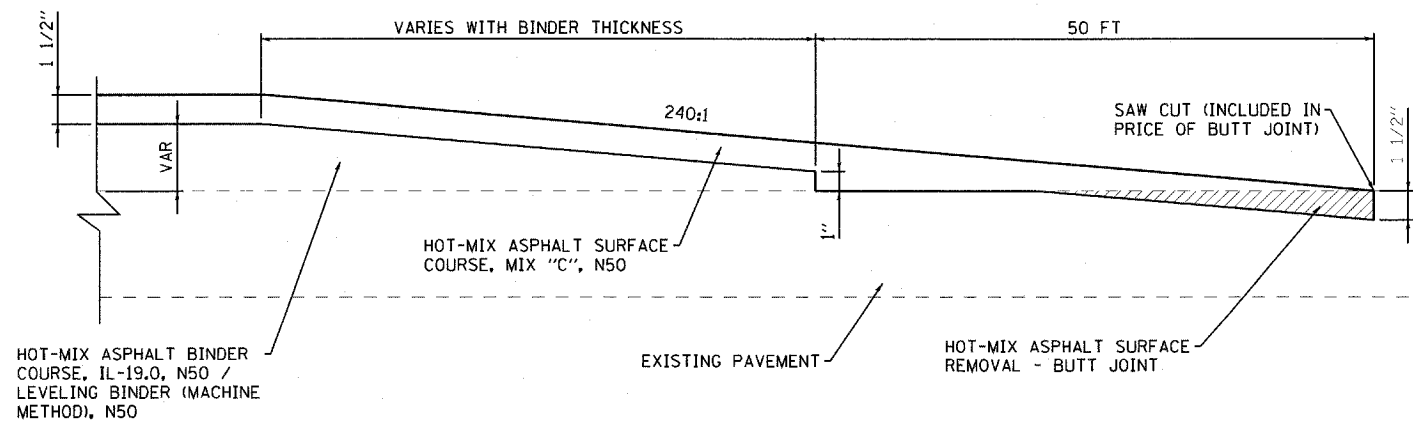


\* ROUND ALL BREAKPOINTS IN FIELD

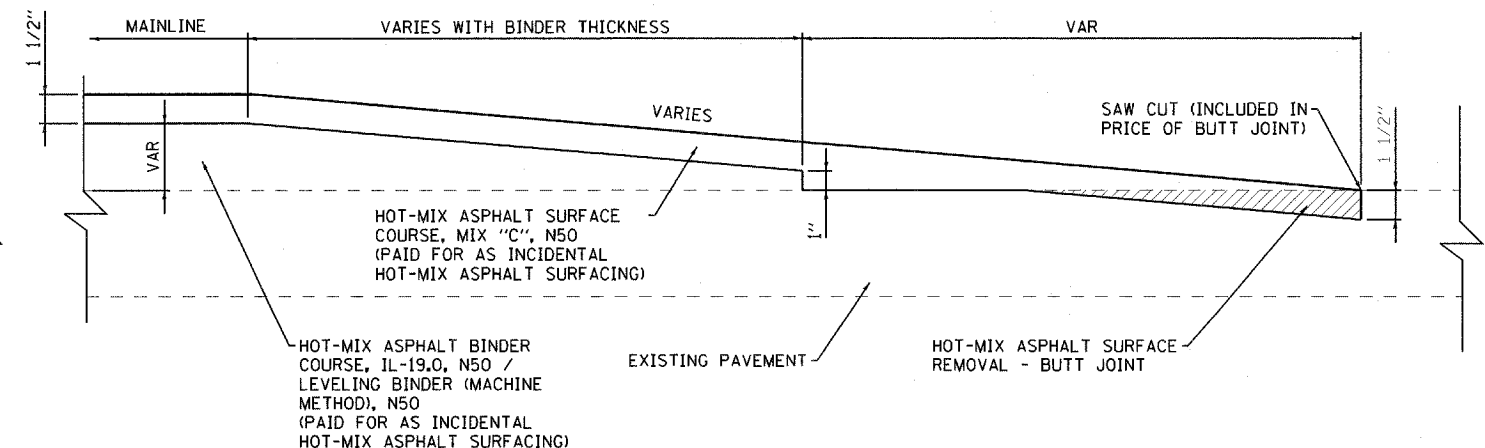


**SUPERELEVATION DETAILS**

SEE PLAN AND PROFILE SHEETS FOR INDIVIDUAL CURVE DATA AND SUPERELEVATION DETAILS



**BUTT JOINT DETAILS (MAINLINE)**  
(NOT TO SCALE)



**BUTT JOINT DETAILS (ENTRANCE & SIDEROAD)**  
(NOT TO SCALE)

FILE NAME = H:\5592\Details\_5592.dgn

USER NAME = \_USERDESCR\_

DESIGNED - DLD

REVISED -

PLOT SCALE = 5.0000' / IN.

DRAWN - KOJ

REVISED -

PLOT DATE = 3/21/2008

CHECKED -

REVISED -

DATE - 1-17-08

REVISED -

STATE OF ILLINOIS  
DEPARTMENT OF TRANSPORTATION

DETAILS

SCALE: SHEET NO. OF SHEETS STA. TO STA.

|   |                |        |              |           |
|---|----------------|--------|--------------|-----------|
| F.A.S. RTE.                                     | SECTION        | COUNTY | TOTAL SHEETS | SHEET NO. |
| 777   | 05-00080-00-RS | BOND   | 90           | 40        |
| CONTRACT NO. 97341                              |                |        |              |           |
| FED. ROAD DIST. NO. 8 ILLINOIS FED. AID PROJECT |                |        |              |           |