

PLAN OF SKEWED CULVERT EXTENSION

**BILL OF MATERIAL
NORTH END STA. 38+84**

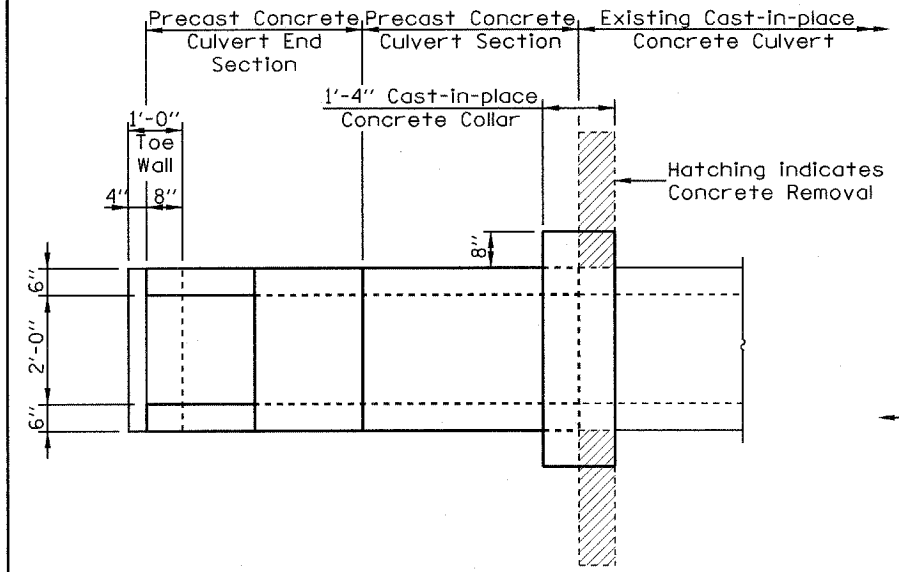
Bar	No.	Size	Length	Shape	
a	16	#4	1'-0"	—	
b	6	#4	4'-0"	—	
b ₁	6	#4	3'-6"	—	
d	12	#4	3'-4"	J	
Reinforcement Bars				Lbs.	70
Class SI Concrete Superstructure				Cu. Yds.	0.4
Concrete Removal				Cu. Yds.	1.0
Box Culvert End Sections				Each	1
Precast Concrete Box Culvert Extension				Foot	2.0
Concrete Collar				Each	1

**BILL OF MATERIAL
EACH END STA. 89+19**

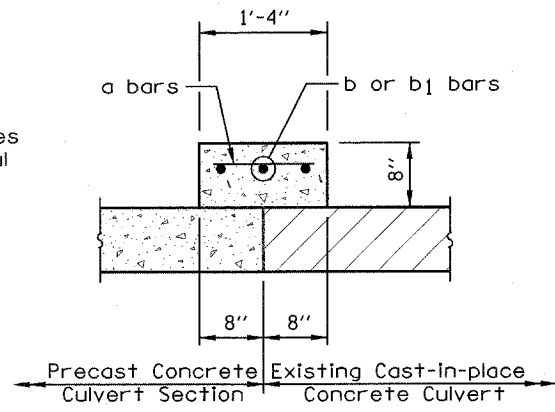
Bar	No.	Size	Length	Shape	
a	32	#4	1'-0"	—	
b	12	#4	4'-0"	—	
b ₁	12	#4	3'-6"	—	
d	24	#4	3'-4"	J	
Reinforcement Bars				Lbs.	140
Class SI Concrete Superstructure				Cu. Yds.	0.8
Concrete Removal				Cu. Yds.	2.1
Box Culvert End Sections				Each	2
Precast Concrete Box Culvert Extension				Foot	4.0
Concrete Collar				Each	2

**BILL OF MATERIAL
EACH END STA. 107+97**

Bar	No.	Size	Length	Shape	
a	32	#4	1'-0"	—	
b	12	#4	4'-4"	—	
b ₁	12	#4	3'-7"	—	
d	24	#4	3'-4"	J	
Reinforcement Bars				Lbs.	140
Class SI Concrete Superstructure				Cu. Yds.	0.9
Concrete Removal				Cu. Yds.	2.5
Box Culvert End Sections				Each	2
Precast Concrete Box Culvert Extension				Foot	8.0
Cleaning Box Culvert				Cu. Yds.	2.2
Concrete Collar				Each	2



PLAN OF CULVERT EXTENSION

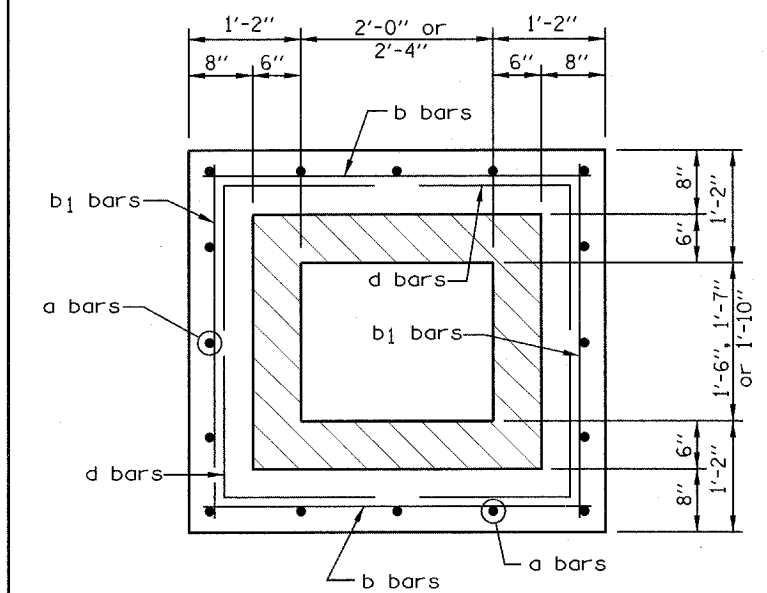


COLLAR SECTION

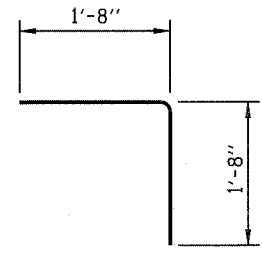
Notes:
Culvert sizes shown are approximate. Contractor to field verify.
• Quantities for information only. Concrete Collar / box culverts to be cleaned paid for as Each.

**BILL OF MATERIAL
EACH END STA. 168+59**

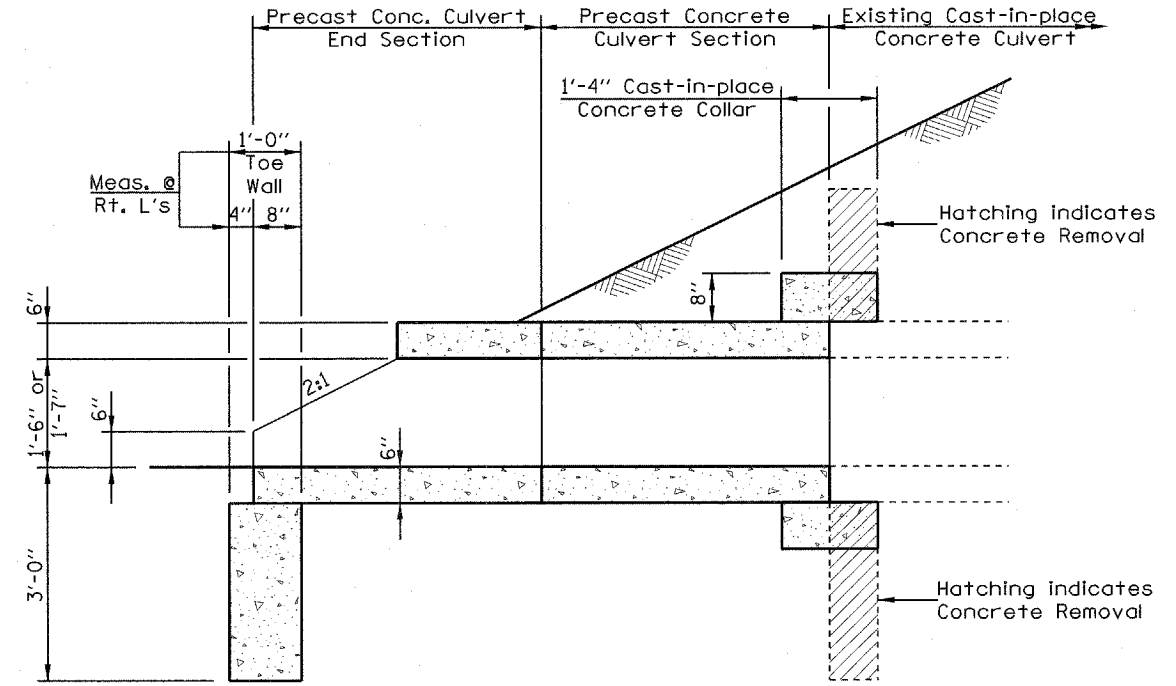
Bar	No.	Size	Length	Shape	
a	32	#4	1'-0"	—	
b	12	#4	4'-0"	—	
b ₁	12	#4	3'-7"	—	
d	24	#4	3'-4"	J	
Reinforcement Bars				Lbs.	140
Class SI Concrete Superstructure				Cu. Yds.	0.8
Concrete Removal				Cu. Yds.	4.5
Box Culvert End Sections				Each	2
Precast Concrete Box Culvert Extension				Foot	13.0
Concrete Collar				Each	2



COLLAR ELEVATION



d BAR



TYPICAL LONGITUDINAL SECTION

**BILL OF MATERIAL
EACH END STA. 170+83**

Bar	No.	Size	Length	Shape	
a	32	#4	1'-0"	—	
b	12	#4	4'-0"	—	
b ₁	12	#4	3'-10"	—	
d	24	#4	3'-4"	J	
Reinforcement Bars				Lbs.	140
Class SI Concrete Superstructure				Cu. Yds.	0.8
Concrete Removal				Cu. Yds.	4.2
Box Culvert End Sections				Each	2
Precast Concrete Box Culvert Extension				Foot	16.0
Concrete Collar				Each	2