

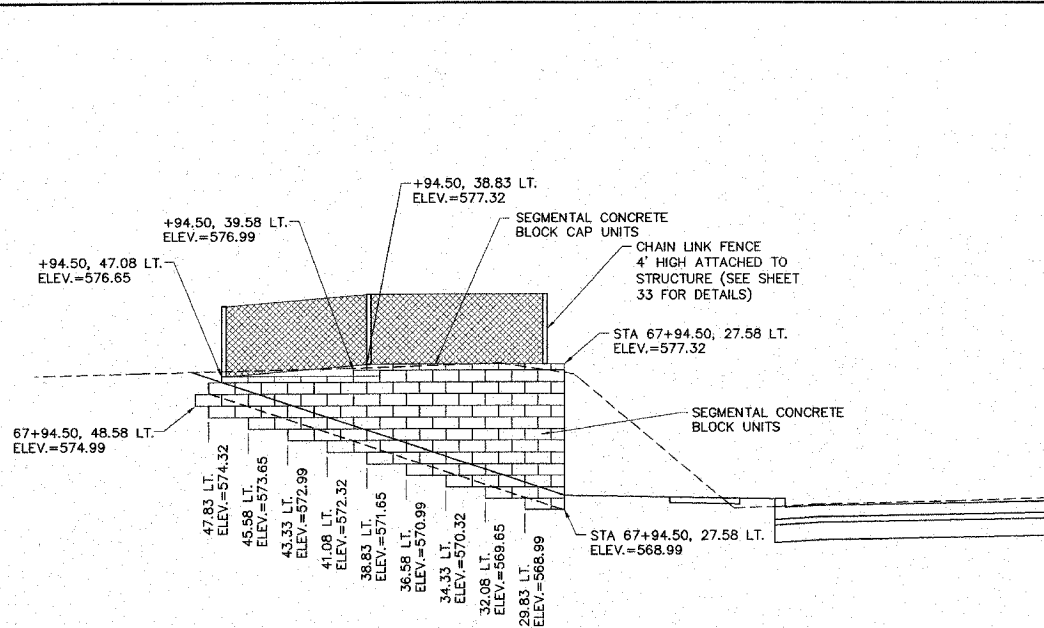
REVISIONS

SMS Sheppard, Morgan & Schwaab, Inc. CONSULTING ENGINEERS AND LAND SURVEYORS 215 Market Street, P.O. Box E, Alton, IL 62802, 618/492-2025. E-mail: sms@sms-engineers.com 10 Central Industrial Drive, Granite City, IL 62040, 618/377-5700. E-mail: mail@granitecity.com DESIGN FIRM # 184-000992

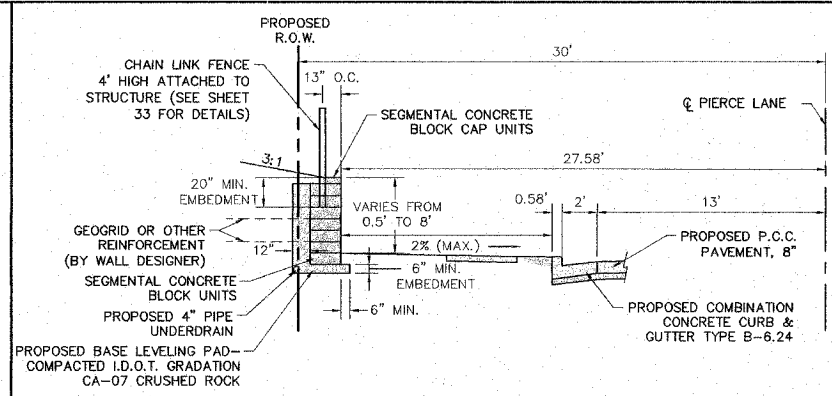


PIERCE LANE IMP. (PHASE 3 AND 4)-GODFREY, ILLINOIS
FAU ROUTE 8985
05-00001-03-PV (PHASE 3) / 06-00001-04-BR (PHASE 4)
SEGMENTAL CONCRETE BLOCK WALL DETAILS

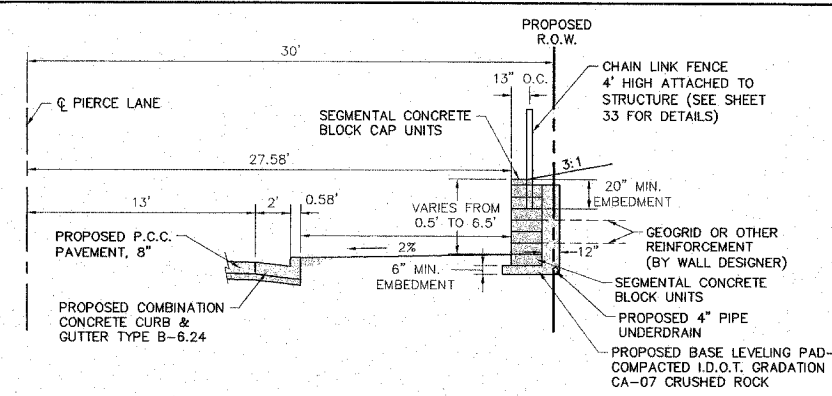
DWG. NO.	PRC PH3 PP STORM.DWG
REF. BK.	PG.
JOB NO.	436613
DSN. BY:	SJW/DDT
CHK. BY:	BOS
DATE:	FEBRUARY, 2008
SCALE:	AS SHOWN
SHEET	30 OF 61



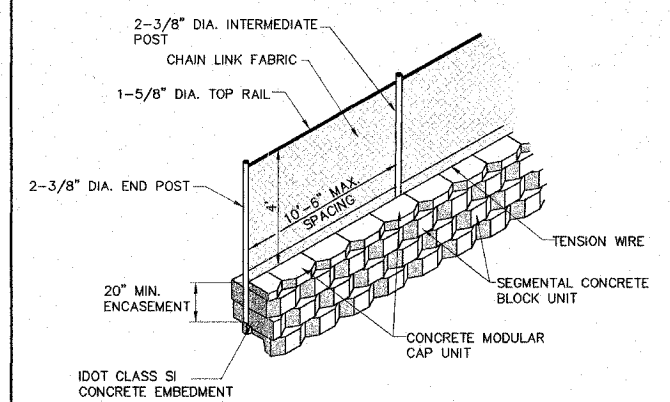
SEGMENTAL CONCRETE BLOCK WALL
STA 67+94.50 LT.
SCALE 1"=5'



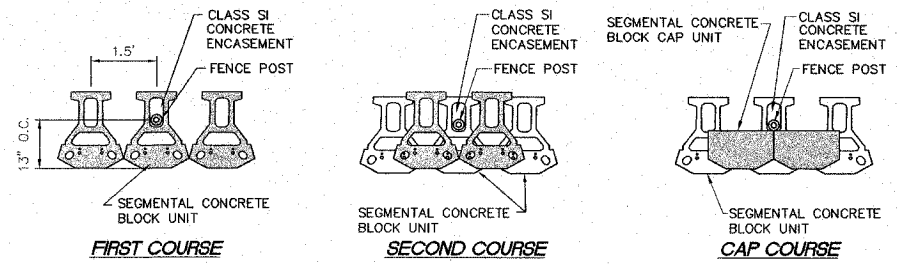
PROPOSED TYPICAL SECTION - SEGMENTAL CONCRETE BLOCK WALL
STA 67+94.50 THRU 69+37.00 LEFT
NOT TO SCALE



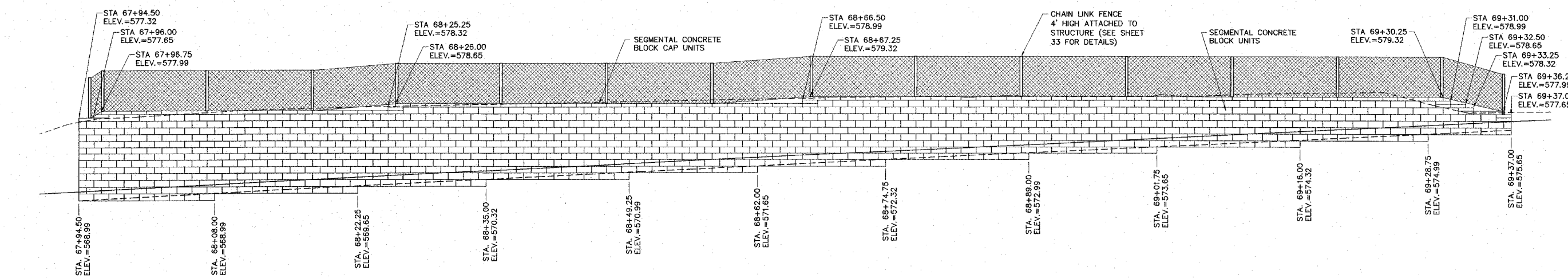
PROPOSED TYPICAL SECTION - SEGMENTAL CONCRETE BLOCK WALL
STA 68+14.25 THRU 70+79.50 RIGHT
NOT TO SCALE



DETAIL - CHAIN LINK FENCE ATTACHED TO STRUCTURE
N.T.S.



1. THE CHAIN LINK FENCE SHALL BE CONSTRUCTED IN ACCORDANCE WITH SECTIONS 664 AND 1006 OF THE STANDARD SPECIFICATIONS, AND HIGHWAY STANDARD 664001-01.
2. ALL END POSTS AND INTERMEDIATE POSTS SHALL BE 2-3/8" DIAMETER POSTS. THE TOP RAIL SHALL BE 1-5/8" DIAMETER CONNECTED TO THE POSTS WITH GALVANIZED CLIPS AND BANDS.
3. THE CHAIN LINK FABRIC SHALL BE ATTACHED TO END POSTS WITH 1/4" X 3/4" GALVANIZED STEEL STRETCHER BARS ANCHORED WITH 1/8" X 1" GALVANIZED STEEL STRETCHER BANDS AT 14" CENTERS
4. POST CENTERS TO BE INCREMENTS OF 1.5' TO FIT UNIT SPACING. (SEE POST MOUNTING DETAILS)



SEGMENTAL CONCRETE BLOCK WALL
STA 67+94.50 LT. TO STA 69+37.00 LT.
SCALE 1"=5'