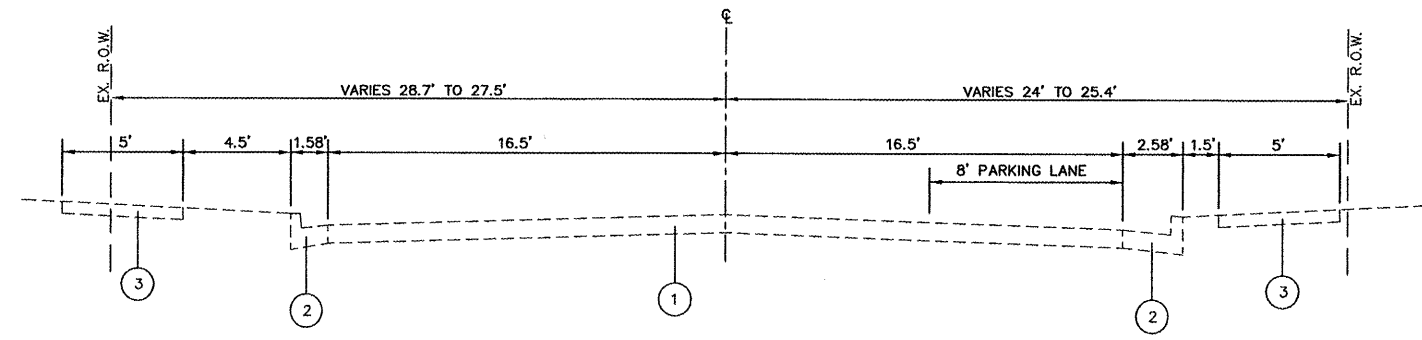
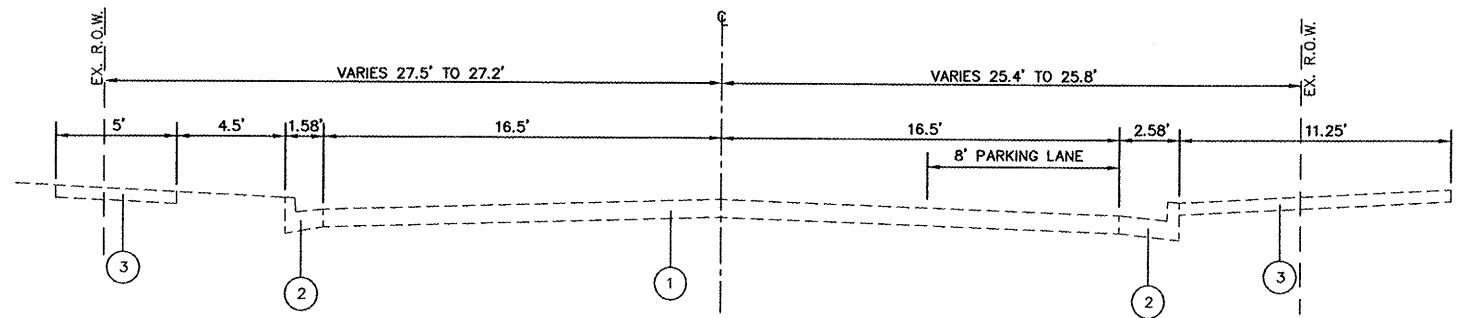


FILE NO.	SECTION	COUNTY	TOTAL SHEETS	SHEET NO.
9392	05-00024-00-PV	MADISON	81	8
TYPICAL SECTIONS				

CONTRACT NO. 97347



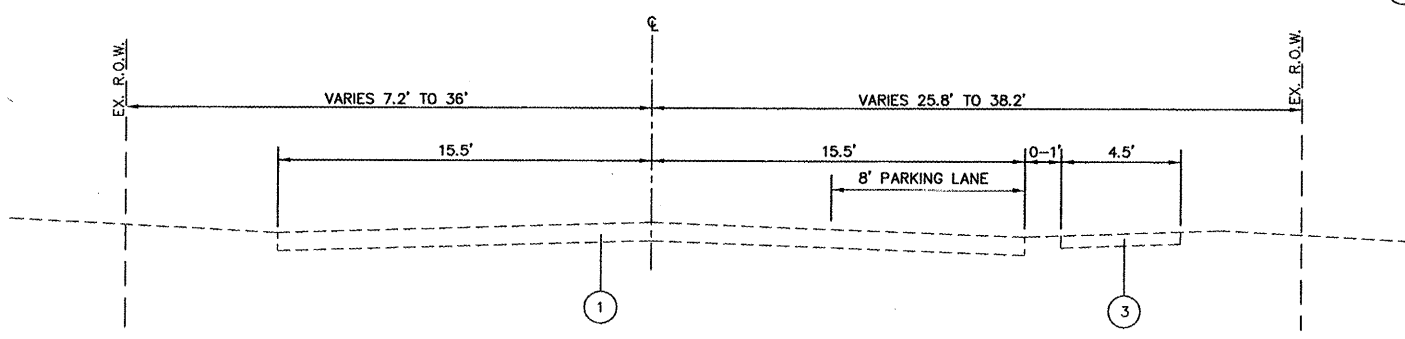
EXISTING
STA. 10+20 TO STA. 12+30



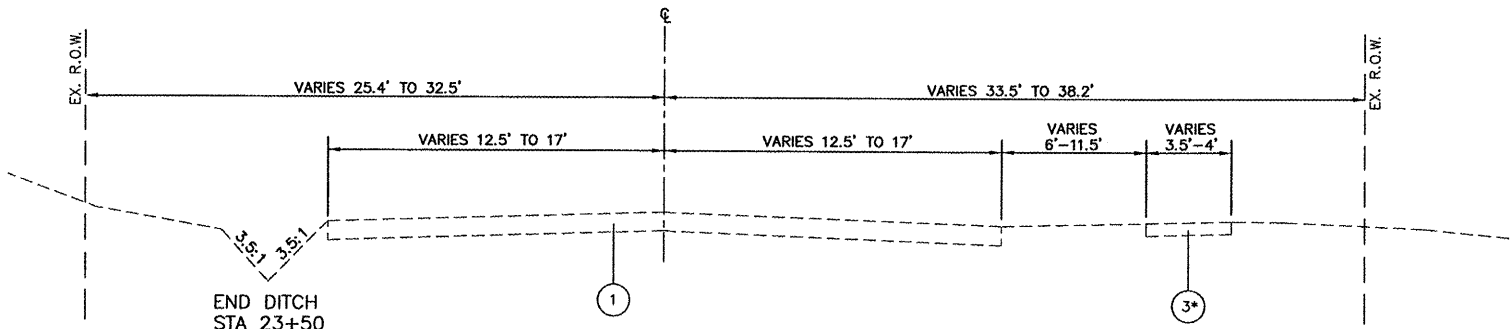
EXISTING
STA. 12+30 TO STA. 13+15

LEGEND

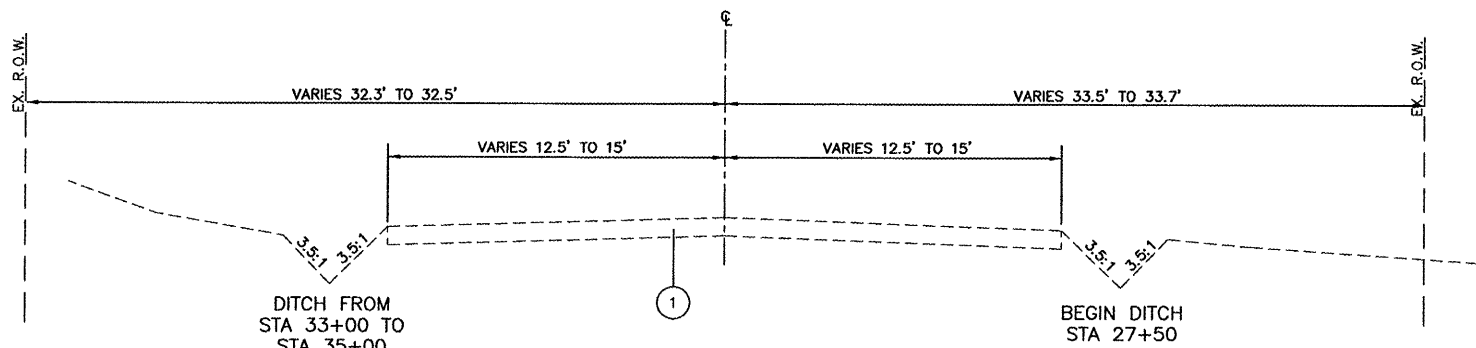
①	EXISTING OIL AND CHIP PAVEMENT, +/-2"
②	EXISTING CONC. CURB & GUTTER
③	EXISTING PCC SIDEWALK



EXISTING
STA. 13+15 TO STA. 15+68



EXISTING
STA. 15+68 TO STA. 24+63
*SIDEWALK STA. 15+98.62 TO 19+05.98
STA. 19+39.39 TO 19+92.23
STA. 20+45.89 TO 21+09.95
STA. 21+50.76 TO 22+95.42
STA. 23+12.97 TO 24+62.70



EXISTING
STA. 24+63 TO STA. 36+03.61

030131TYP001.dwg 4/12/2008 9:42am

REVISIONS	
NAME	DATE

**EXISTING
TYPICAL SECTIONS**

NORTH STAUNTON ROAD IMPROVEMENTS
CITY OF TROY
MADISON COUNTY, ILLINOIS