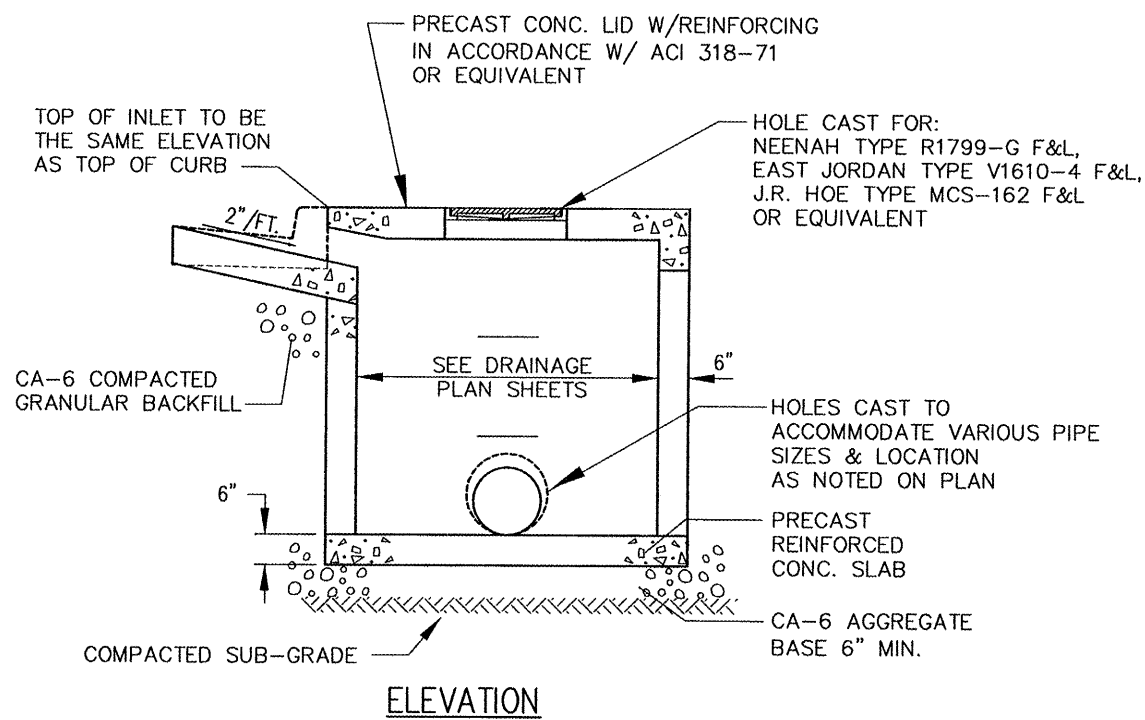
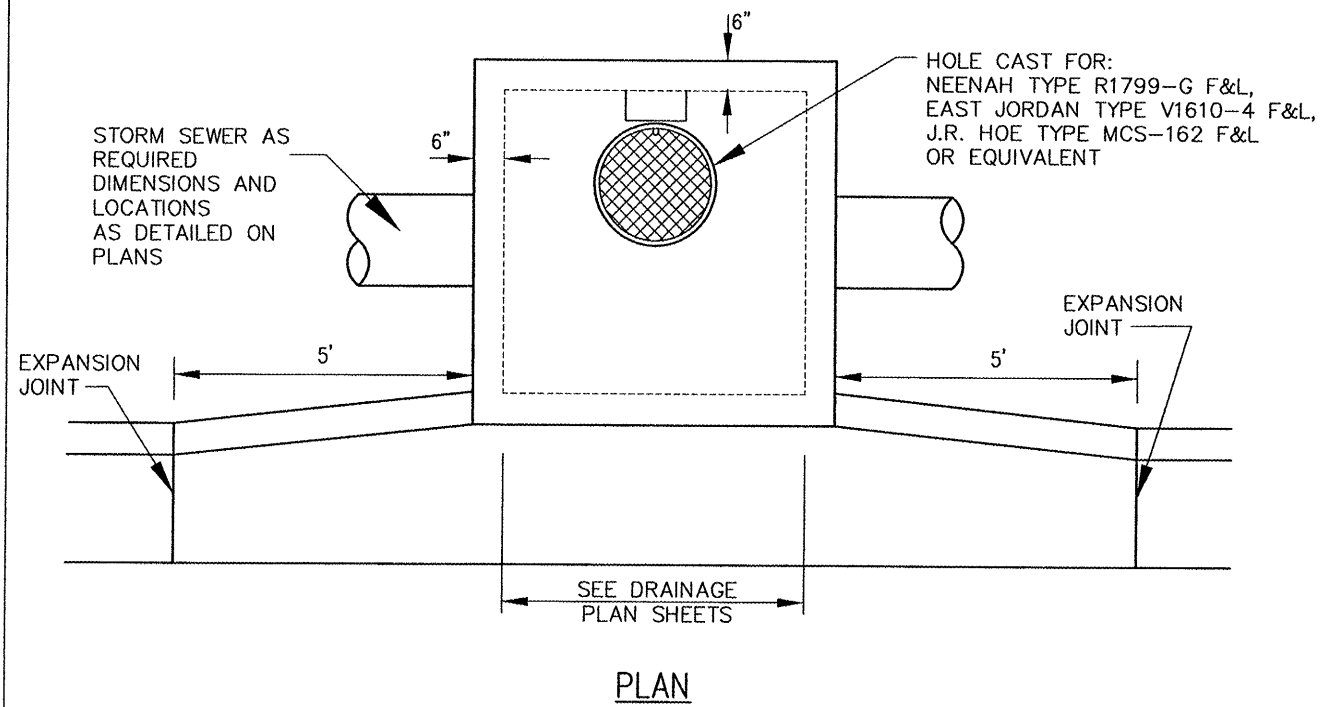


APP. NO.	SECTION	COUNTY	TOTAL SHEETS	SHEET NO.
9392	05-00024-00-PV	MADISON	81	49
STA.	TO STA.			

CONTRACT NO. 97347

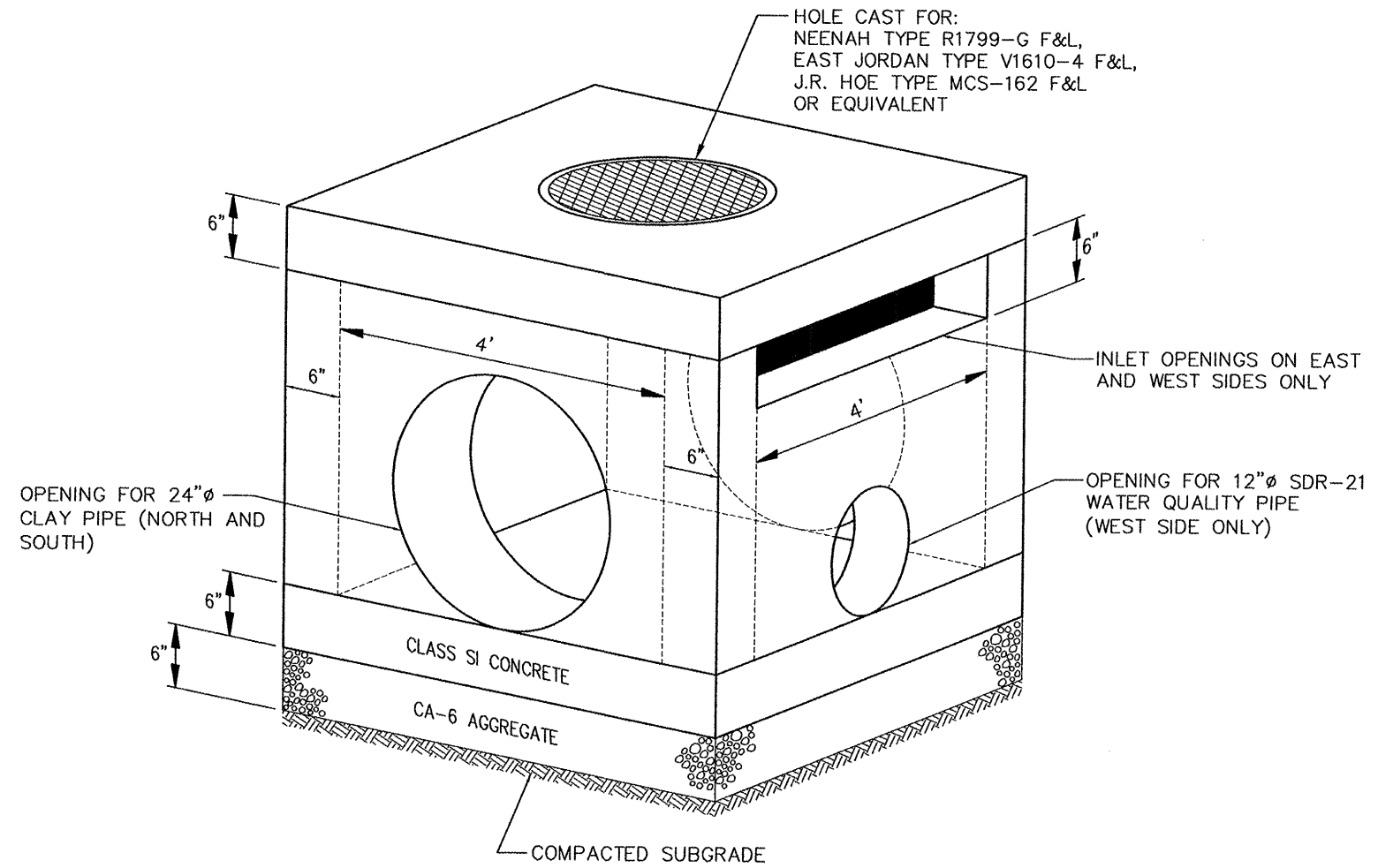


SPECIFICATIONS:
PRE-CAST INLET SHALL CONFORM TO ASTM C-478

EXECUTION:
ALL WORK SHALL CONFORM TO ILLINOIS STANDARD SPECIFICATIONS FOR ROAD AND BRIDGE CONSTRUCTION.

TYPICAL OPEN THROAT INLET

INLET, SPECIAL #1
VARIOUS LOCATIONS



INLET, SPECIAL #2
STA 13+88.74 RT
CLAY STREET

REVISIONS	
NAME	DATE

MISCELLANEOUS
DETAILS

NORTH STAUNTON ROAD IMPROVEMENTS
CITY OF TROY
MADISON COUNTY, ILLINOIS

P:\030131\dwg\030131DETL01.dwg 2/1/2008 3:11:05 PM CST