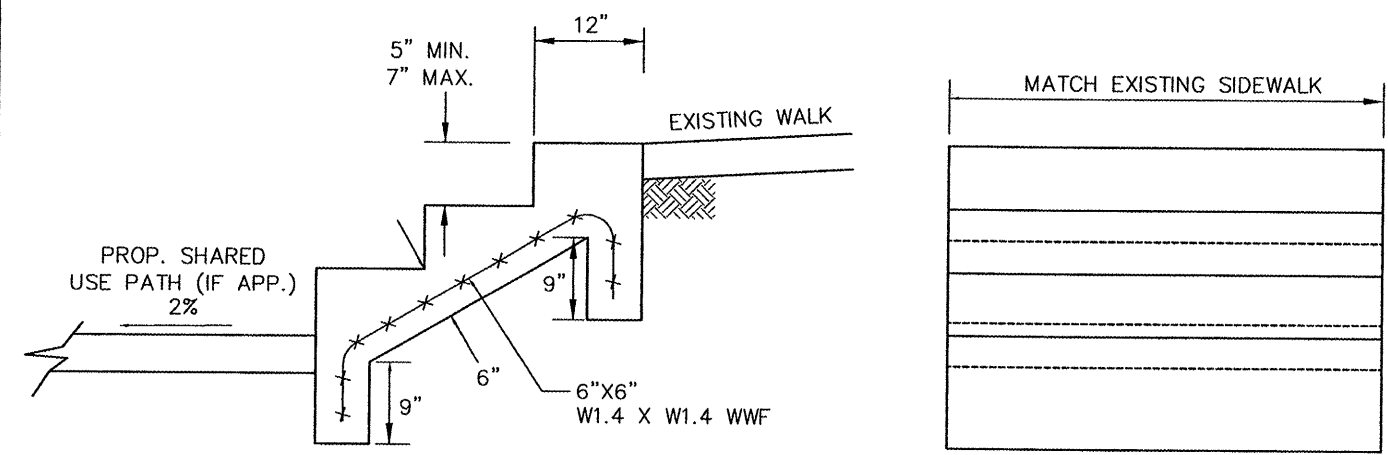


FW NO.	SECTION	COUNTY	TOTAL SHEETS	SHEET NO.
9392	05-00024-00-PV	MADISON	81	50
STA.	TO STA.			

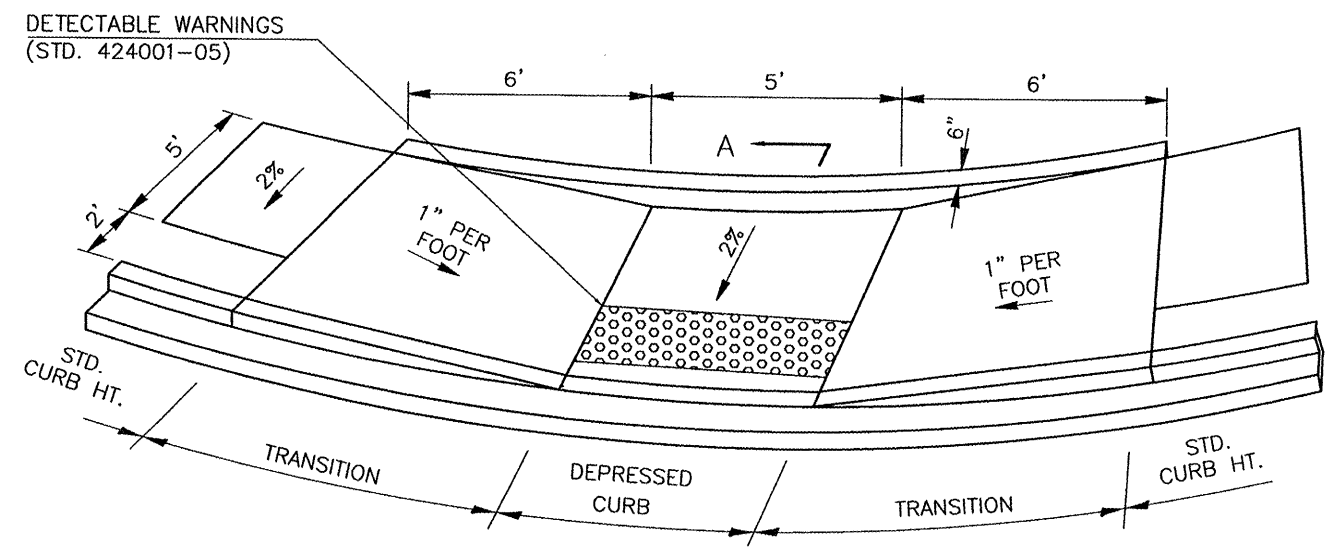
CONTRACT NO. 97347



**CONCRETE STEPS**

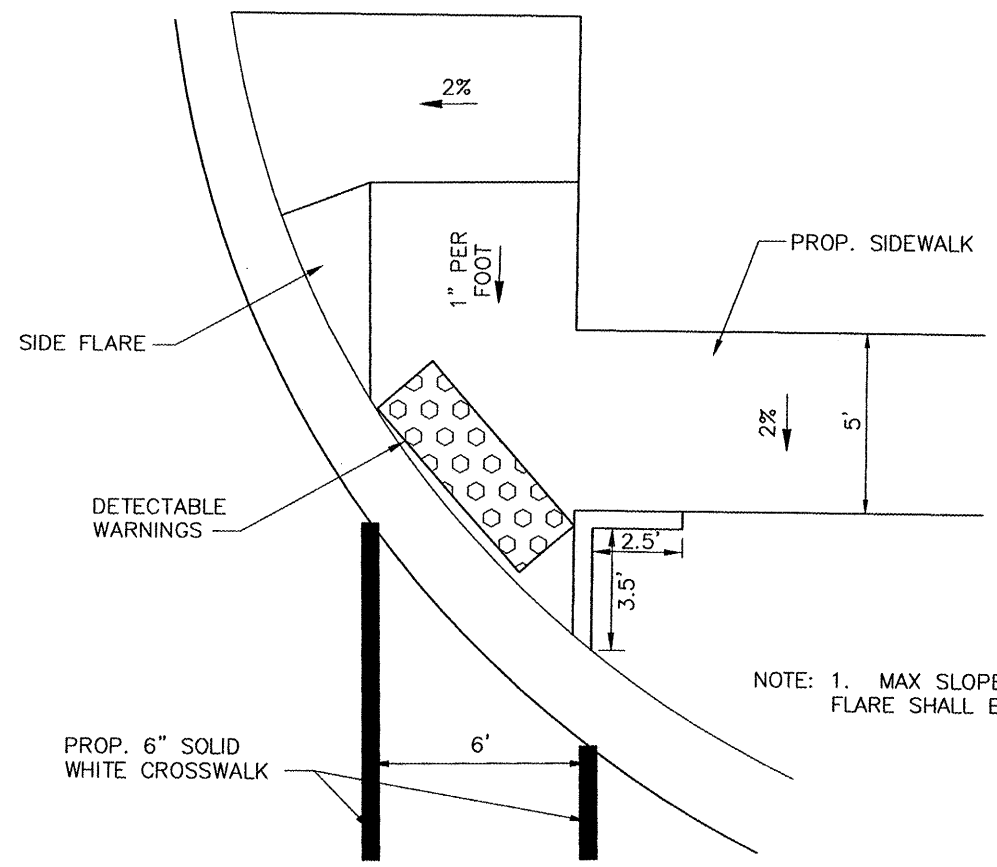
STA 16+27.69 RT  
STA 24+76.11 LT

\*NUMBER OF STEPS NEEDED WILL VARY



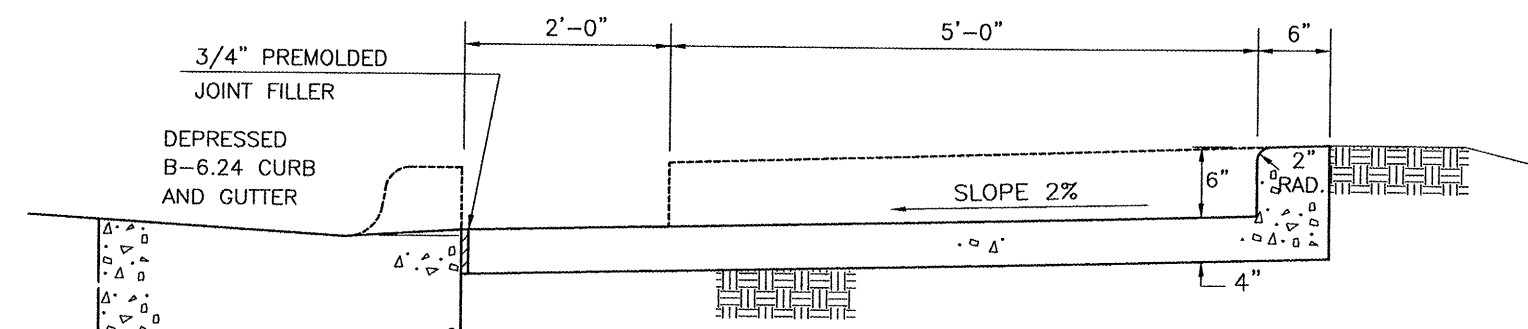
**ISOMETRIC VIEW**

- NOTE: 1. MAINTAIN 2% SLOPE TOWARD THE ROADWAY THROUGH THE RAMP STRUCTURE.  
2. 6" WALL SHALL BE POURED MONOLITHIC WITH RAMP STRUCTURE.



**SIDWALK RAMP**  
STA 10+30.23 LT

NOTE: 1. MAX SLOPE OF THE SIDE FLARE SHALL BE 1:10.



**SECTION A-A**

**SIDWALK RAMPS**

STA 10+31.96 RT  
STA 12+98.77 LT

REVISIONS	
NAME	DATE

MISCELLANEOUS  
DETAILS

NORTH STAUNTON ROAD IMPROVEMENTS  
CITY OF TROY  
MADISON COUNTY, ILLINOIS

P:\030131\dwg\030131DET1.01.dwg 2/1/2008 3:11:05 PM CST