

ROAD CLASSIFICATION: **MINOR COLLECTOR**
 DESIGN SPEED: 50 M.P.H.

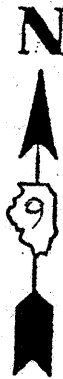
ADT:
 (2009) **990**
 (2015) **1320**
 PC = **1260**
 SU = **45**
 MU = **15**
 DHV20 = **130**

JOINT UTILITY LOCATING INFORMATION
 FOR EXCAVATIONS (J.U.L.I.E.)
 PHONE 1-800-892-0123

SHEET NO.	TITLE
1	COVER SHEET AND SUMMARY OF QUANTITIES
2	MISCELLANEOUS DETAILS
3	TYPICAL SECTIONS AND MISCELLANEOUS DETAILS
4-6	PLAN

STANDARDS:

- 701006-02
- 701301-02
- 701306-01
- 701311-02
- 701901
- 780001-01
- B.L.R. 24-1



SUMMARY OF QUANTITIES			
CODE NO.	PAY ITEM	UNIT	TOTAL
40200800	AGGREGATE SURFACE COURSE, TYPE B	TON	50
40600982	HOT-MIX ASPHALT SURFACE REMOVAL -BUTT JOINT	SQ YD	94
40603085	HOT-MIX ASPHALT BINDER COURSE, IL 19.0, N70	TON	4,604
40603315	HOT-MIX ASPHALT SURFACE COURSE, MIX "C", N70	TON	3,685
40800010	BITUMINOUS MATERIALS (PRIME COAT)	GALLON	129
44000198	HOT-MIX ASPHALT SURFACE REMOVAL -VARIABLE DEPTH	SQ YD	1,356
48100100	AGGREGATE SHOULDERS, TYPE A	TON	3,900
67100100	MOBILIZATION	L SUM	1
70300100	SHORT-TERM PAVEMENT MARKING	FOOT	1,560
78001110	PAINT PAVEMENT MARKING - LINE 4"	FOOT	45,296

* **SPECIALTY ITEMS**

CONTRACT NO. 99330

STATE OF ILLINOIS
DEPARTMENT OF TRANSPORTATION
DIVISION OF HIGHWAYS

PLANS FOR PROPOSED ROADWAY IMPROVEMENTS

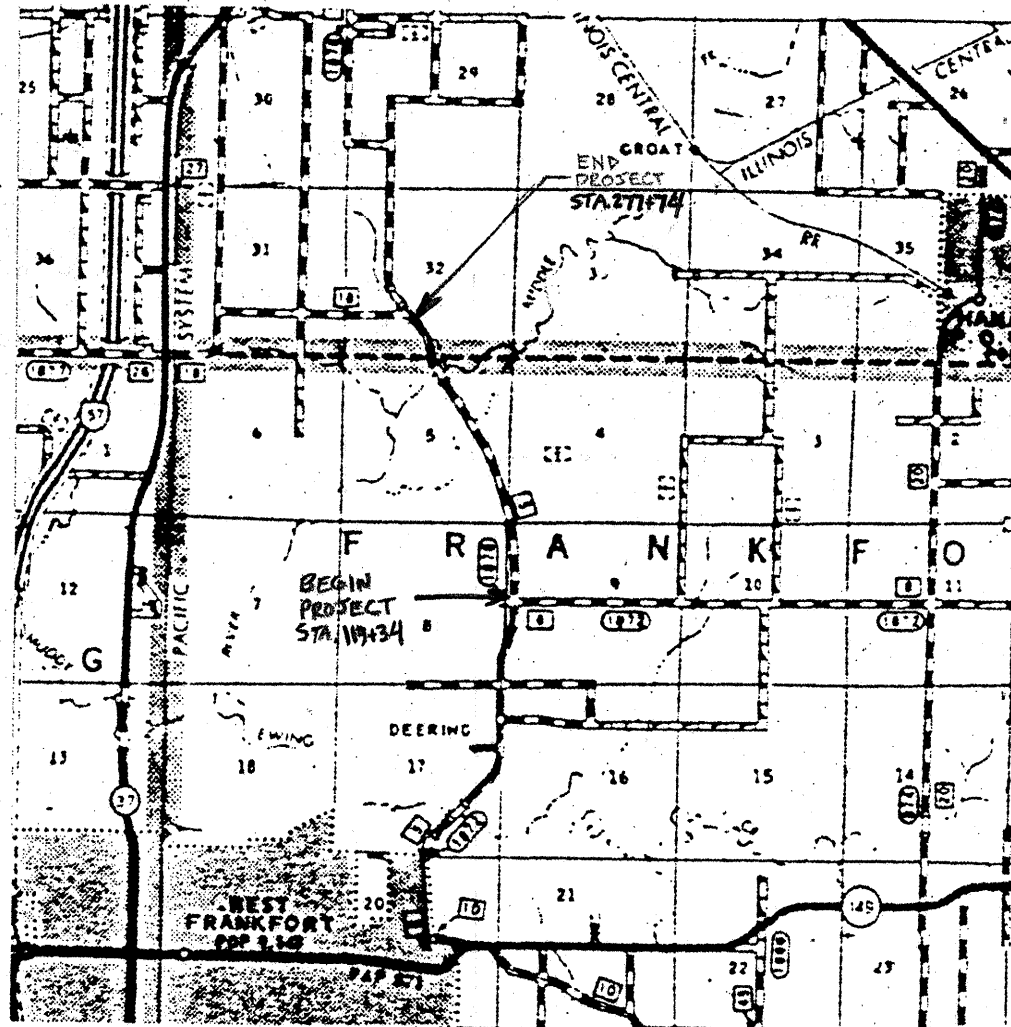
FAS 1878 and CH 5

Franklin County, Illinois

Section 05-00162-00-RS

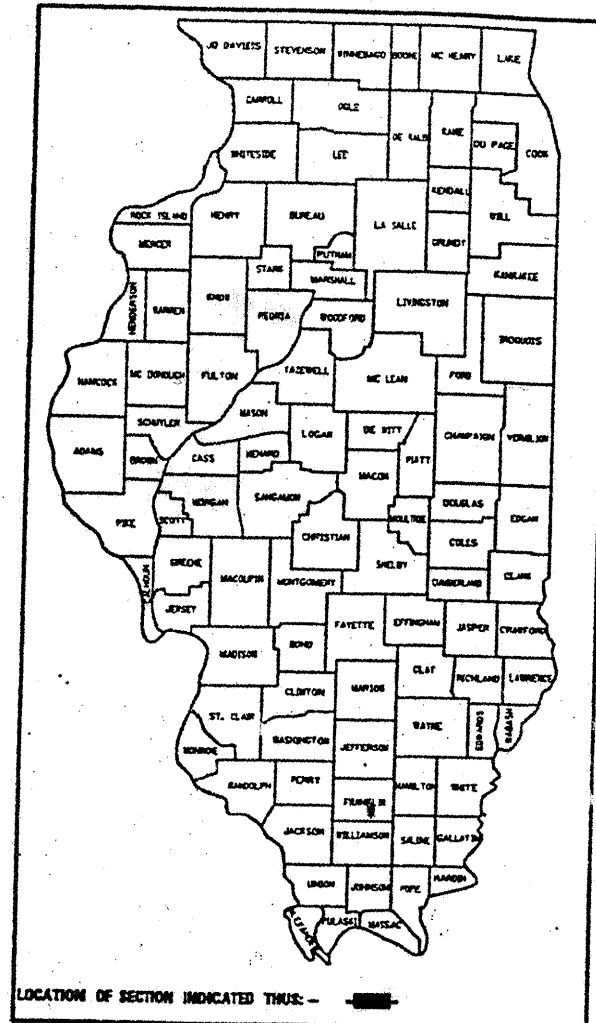
Project RS-1878(108)

JOB C-99-542-05



NET LENGTH OF IMPROVEMENT = 15,480 FEET (2.95 MILES)

RTE.	SECTION	COUNTY	TOTAL SHEETS	SHEET NO.
FAS 1878	05-00162-00-RS	FRANKLIN	16	1

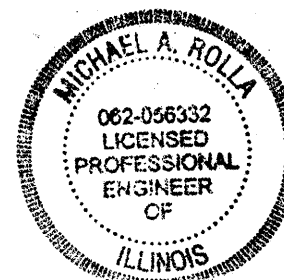


STATE OF ILLINOIS
 DEPARTMENT OF TRANSPORTATION

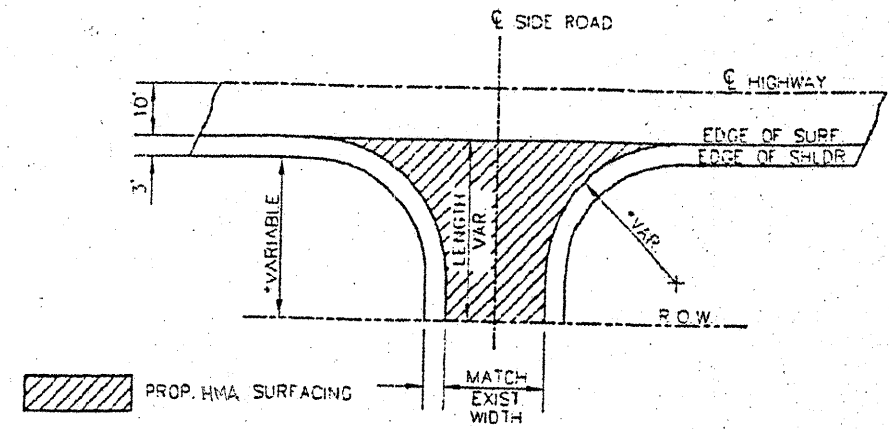
APPROVED 3/27/08
Richard A. Rolla
 FRANKLIN COUNTY HIGHWAY ENGINEER

PASSED 4/1/08
Dennis W. Hillebreann
 DISTRICT 9 ENGINEER OF LOCAL ROADS & STREETS

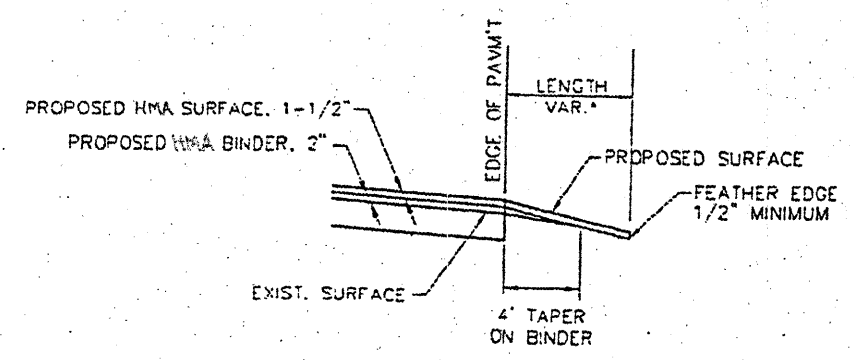
RELEASING FOR BID
 BASED ON LIMITED
 REVIEW 4-2-08
Mary S. Lanni
 DEPUTY DIRECTOR OF HIGHWAYS, REGION 5 ENGINEER



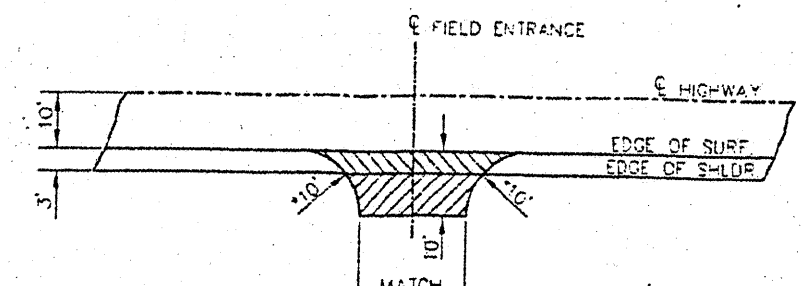
Richard A. Rolla
 MICHAEL A. ROLLA
 ILLINOIS REGISTERED PROFESSIONAL ENGINEER
 #062-056332
 LIC. EXPIRES NOVEMBER 30, 2009



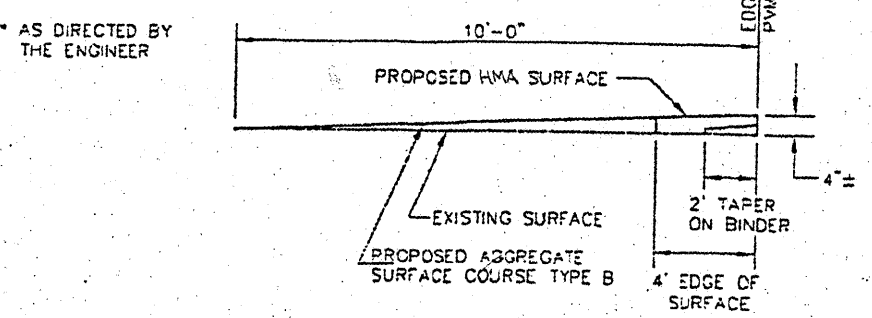
* AS DIRECTED BY THE ENGINEER



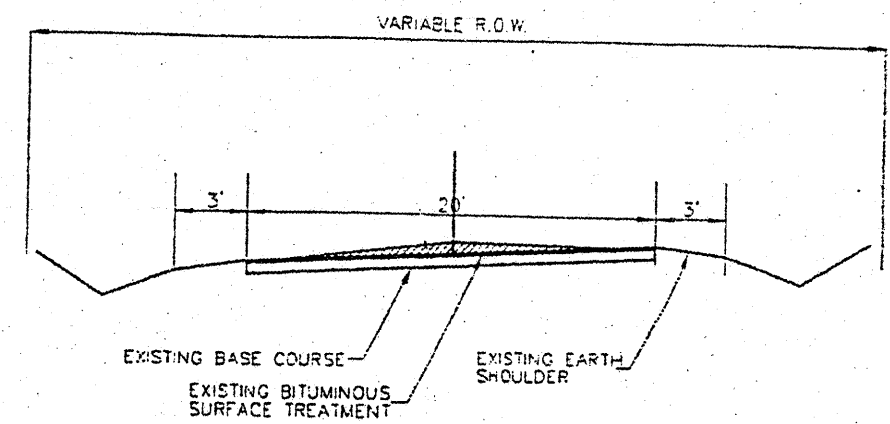
SIDEROAD DETAILS



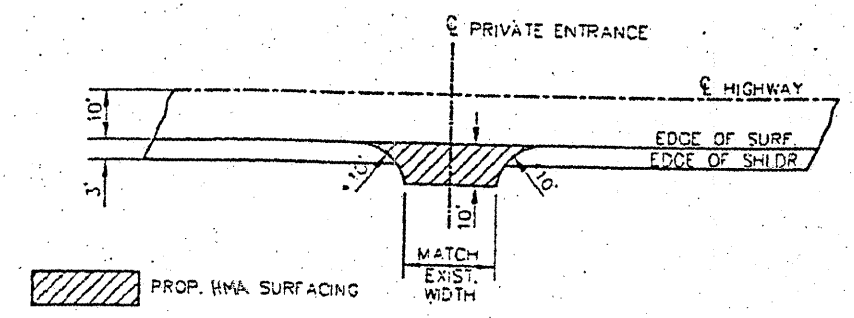
* AS DIRECTED BY THE ENGINEER



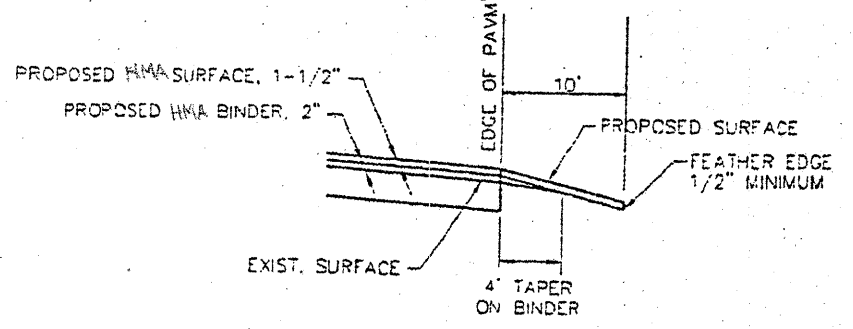
FIELD ENTRANCE DETAILS



TYPICAL EXISTING SUPERELEVATED SECTION



* AS DIRECTED BY THE ENGINEER



PRIVATE ENTRANCE DETAILS

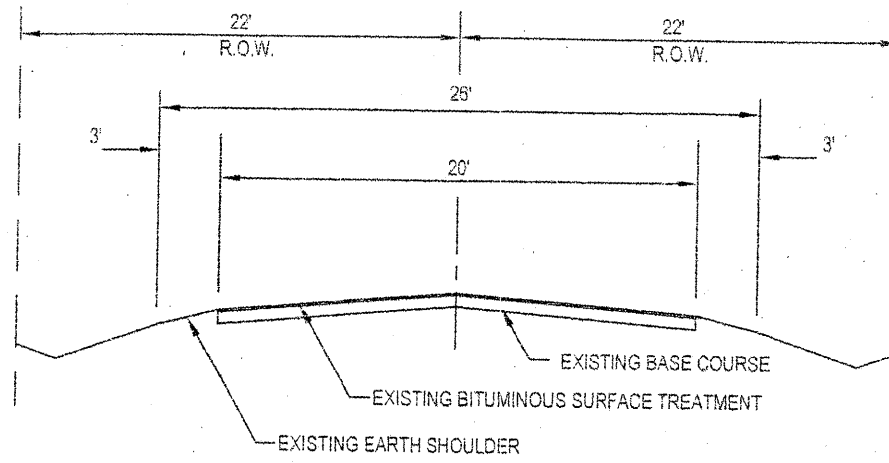
FIELD ENTRANCE QUANTITIES		
ENTRANCES	AGGREGATE SURFACE COURSE TYPE B, TON	HOT MIX ASPHALT SURFACE COURSE, MIX "C", N70, TON
ONE (1) ENTRANCE	5	2
TOTAL = 10 ENTRANCES	50	20

SIDEROAD ENTRANCE QUANTITIES	
LOCATION	HOT MIX ASPHALT SURFACE COURSE, MIX "C", N70, TON
LT. STA. 226+41	24
TOTAL = 1 ENTRANCE	24

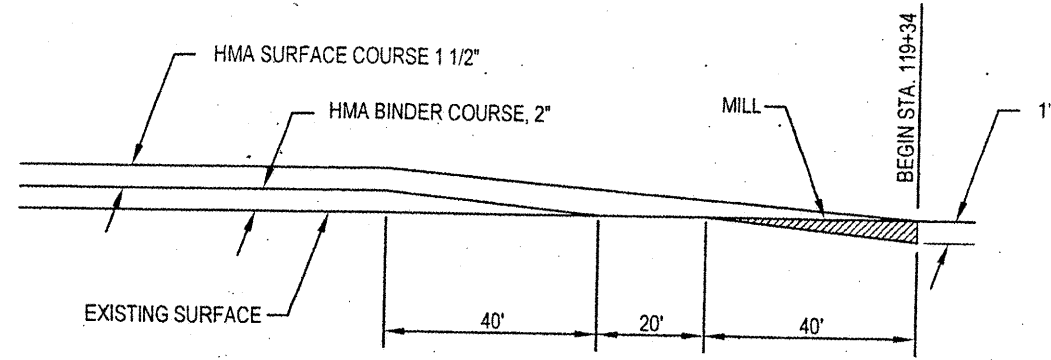
MAILBOX TURNOUT QUANTITIES		
TURNOUT	BITUMINOUS MATERIALS (PRIME COAT) GALLON	HOT MIX ASPHALT SURFACE COURSE, MIX "C", N70, TON
ONE (1) TURNOUT	3	2
TOTAL = 9 TURNOUTS	27	18

PRIVATE ENTRANCE QUANTITIES		
ENTRANCES	BITUMINOUS MATERIALS (PRIME COAT) GALLON	HOT MIX ASPHALT SURFACE COURSE, MIX "C", N70, TON
ONE (1) ENTRANCE	6	4
TOTAL = 17 ENTRANCES	102	68

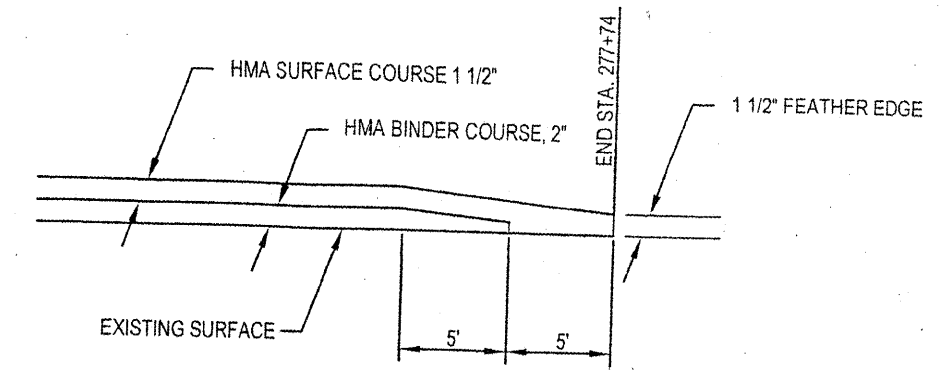
ROUTE	SECTION	COUNTY	TOTAL SHEETS	SHEET NO.
FAE 1878	05-0016-2-00-RS	FRANKLIN	16	3
CONTRACT No.: 9330				



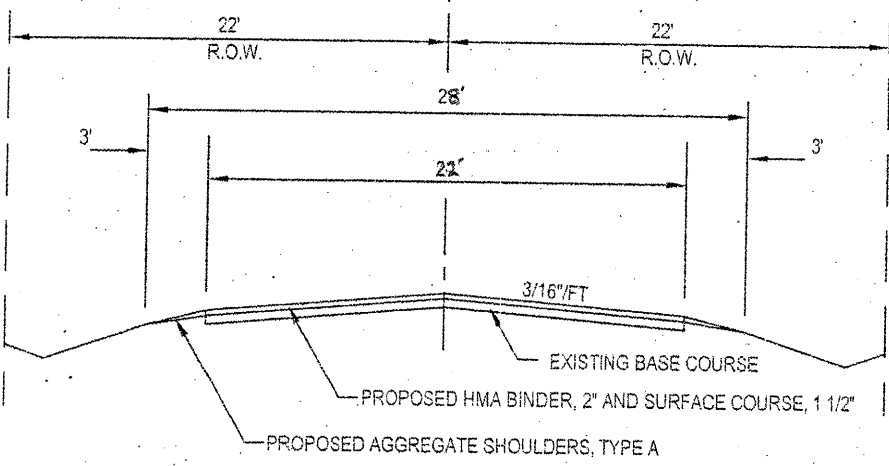
TYPICAL EXISTING SECTION



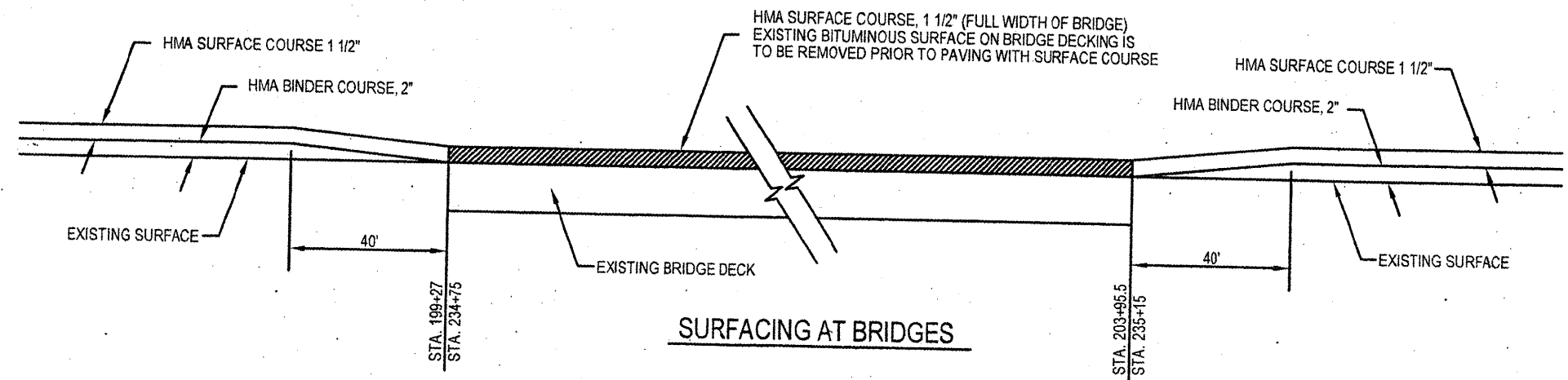
BEGINNING BUTT JOINT



ENDING FEATHER JOINT



TYPICAL PROPOSED SECTION



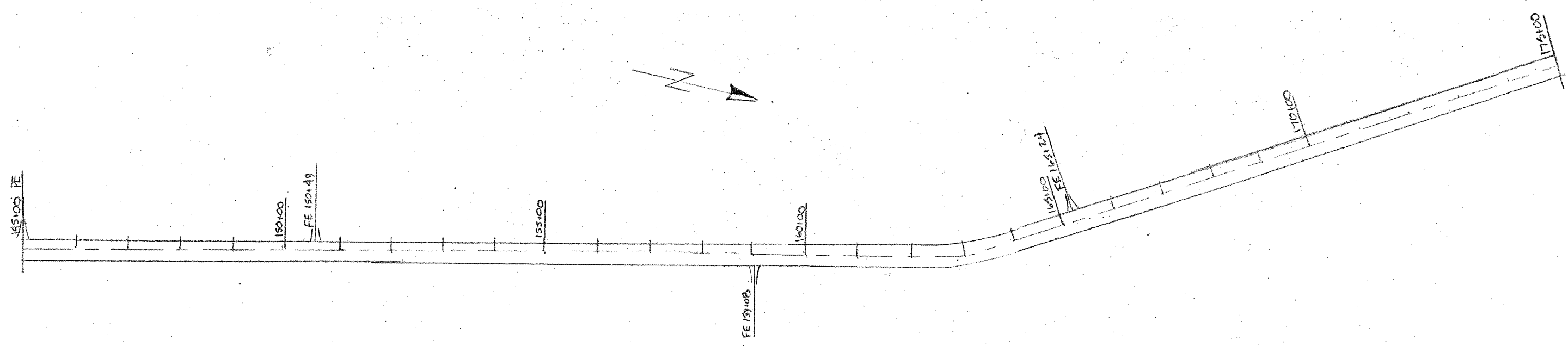
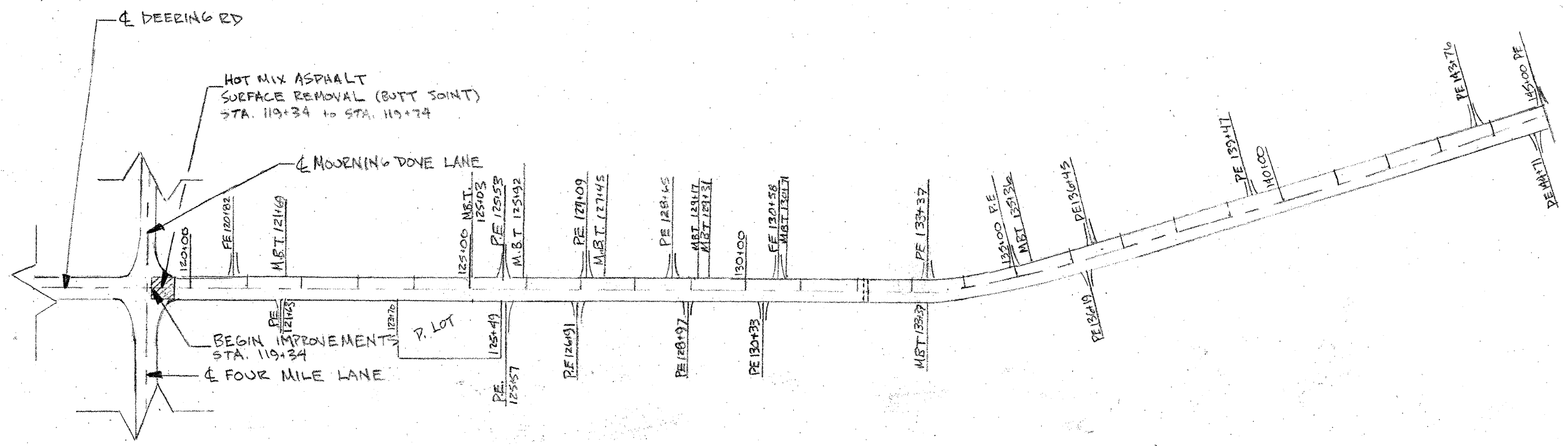
SURFACING AT BRIDGES

SCHEDULE OF PAVEMENT MARKING LINE, 4"							
NORTHBOUND LANE			SOUTHBOUND LANE				
STATION	NO PASSING (YELLOW SOLID)	CENTERLINE (YELLOW DASHED)	STATION	NO PASSING (YELLOW SOLID)	CENTERLINE (YELLOW DASHED)	EDGE LINE (WHITE SOLID)	
STA. 119+34-122+86	-	88 FT	STA. 122+86-164+92	4206 FT		STA. 119+34-277+74	31550 FT
STA. 122+86-144+64	2178 FT	-	STA. 207+13-217+58	-	261.5 FT		
STA. 144+64-207+13	-	1562.5 FT	STA. 217+58-237+83	2025 FT			
STA. 207+13-229+26	2213 FT	-					
STA. 229+26-277+74	-	1212 FT					
TOTALS	4391 FT	28625 FT	TOTALS	6231 FT	261.5 FT	TOTALS	31550 FT

TYPICAL SECTIONS & MISCELLANEOUS DETAILS

ROUTE	SECTION	COUNTY	TOTAL SHEETS	SHEET NO.
FAS 187B	08-00162-00-RS	FRANKLIN	16	4

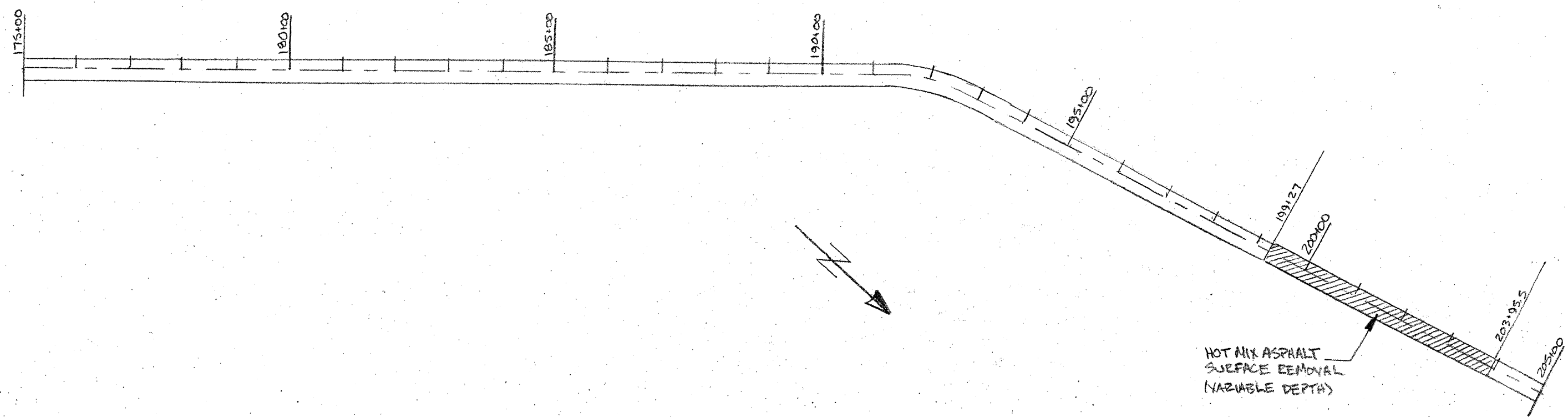
CONTRACT No.: 99350



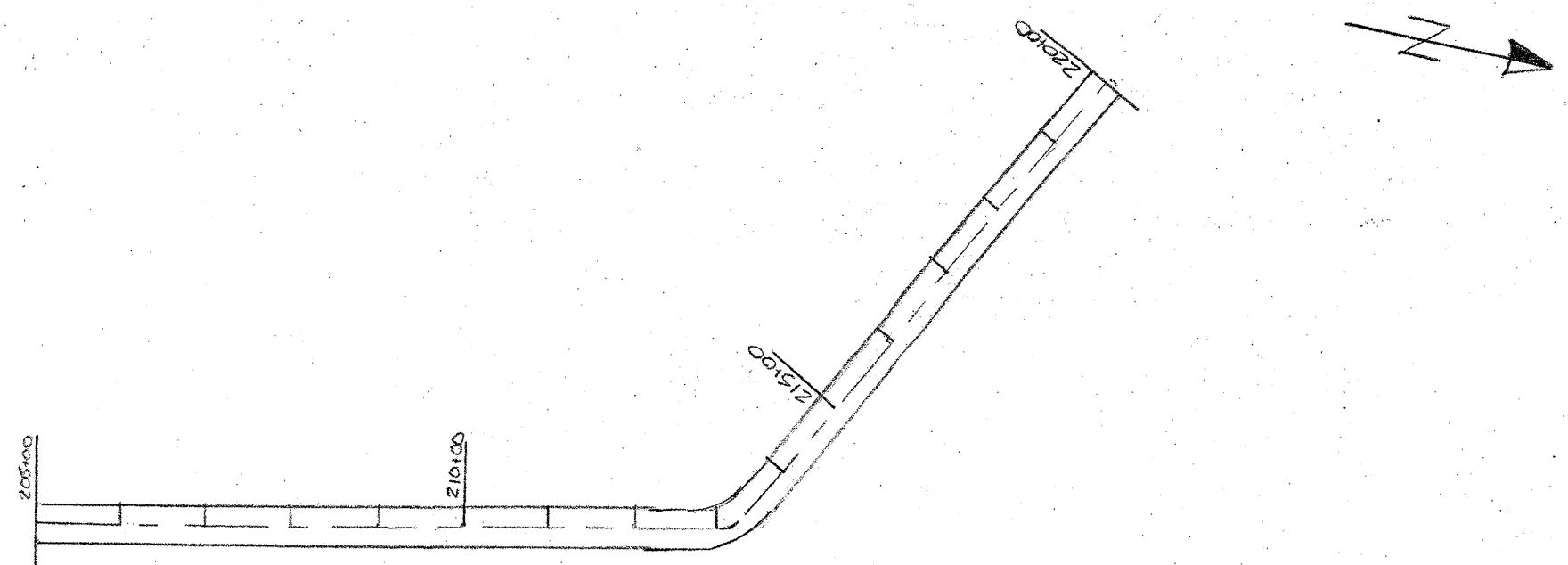
SCALE
1" = 200'

PLAN
STATION 119+34 TO 175+00

ROUTE	SECTION	COUNTY	TOTAL SHEETS	SHEET NO.
FAS 1878	05-0012-00-RS	FRANKLIN	16	5
CONTRACT No.: 99330				

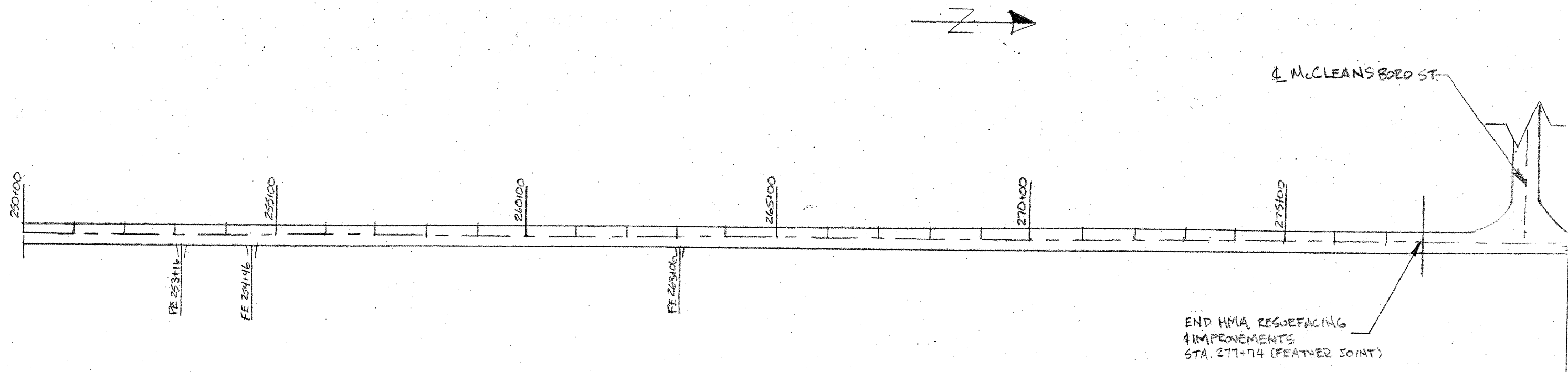
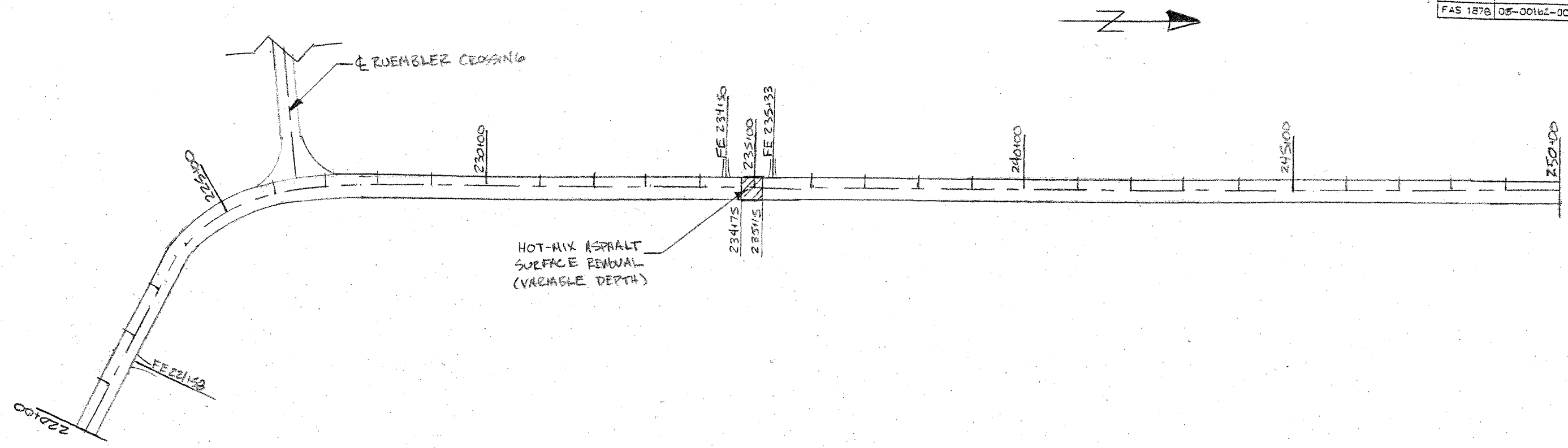


SCALE
1" = 200'



PLAN
STATION 175+00 TO 220+00

ROUTE	SECTION	COUNTY	TOTAL SHEETS	SHEET NO.
FAS 187B	05-00162-00-RS	FRANKLIN	16	6
CONTRACT No.: 99330				



SCALE
1" = 200'

PLAN
STATION 220+00 TO 277+74