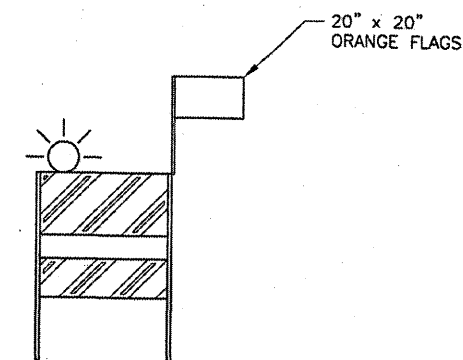


CONSTRUCTION ACTIVITY PLAN NOTES - PHASE 1

1. THE CONTRACTOR SHALL PLACE ALL BARRICADES AS SHOWN PRIOR TO STARTING WORK ON THIS PHASE.
2. THE AIRPORT WILL REQUIRE 3 CALENDAR DAYS NOTICE FROM THE CONTRACTOR PRIOR TO INITIATING THIS PHASE TO COORDINATE WITH THE TENANTS.
3. FOR ALL PHASES OF WORK, THE CONTRACTOR SHALL RETURN THE EQUIPMENT TO THE STAGING & STORAGE AREA UNLESS PERMISSION IS GIVEN BY THE AIRPORT TO DO OTHERWISE.

LEGEND

- OFF LIMITS TO CONTRACTOR PERSONNEL AND EQUIPMENT
- CONSTRUCTION SETBACK LINE
- BARRICADES IDOT TYPE 1 WITH FLASHING RED LIGHTS & 20"x20" ORANGE FLAGS @ 20' SPACING
- APPROACH LIGHT
- EXISTING DITCHLINE
- RUNWAY & TAXIWAY SAFETY AREA
- CONTRACTOR ACCESS ROUTE

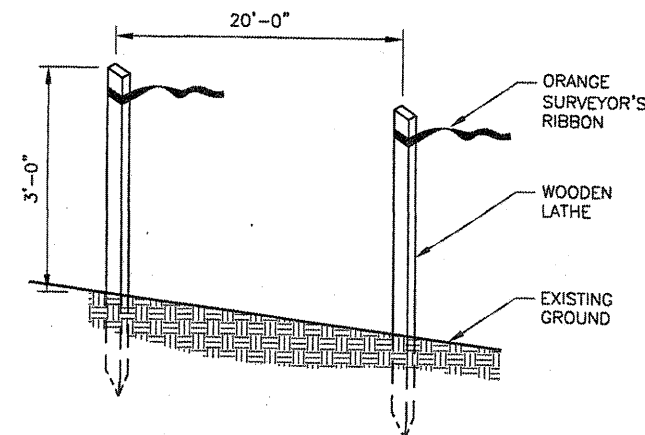


FLASHER BARRICADE DETAIL

N.T.S.

FLASHER BARRICADE NOTES

1. FLASHERS TO BE BATTERY OPERATED. LENS TO BE RED AND BE ABLE TO ROTATE 90 DEGREES.
2. SANDBAGS TO BE PLACED ON EACH SUPPORT BRACE AS REQUIRED TO PREVENT DISPLACEMENT BY WIND, JET OR PROP BLAST.
3. NO SEPARATE PAYMENT WILL BE MADE FOR THIS ITEM. COSTS SHALL BE CONSIDERED INCIDENTAL TO THE PROJECT.
4. PLACE AT 20' INTERVALS.



CONSTRUCTION SETBACK LINE DETAIL

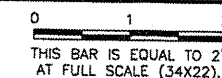
N.T.S.

BL063

K:\Bloomington\0708502\Draw\Sheets
 FILE: CONACT01.dwg
 UPDATE BY: Kristy Brod
 PLOT DATE: 4/14/2008 9:41 AM
 BASE_EXISTOPO
 BASE_EXISTGED
 BASE_AERIAL
 tbinfo

REVISIONS

NUMBER	BY	DATE



**BLOOMINGTON-NORMAL AIRPORT AUTHORITY
 CENTRAL ILLINOIS REGIONAL AIRPORT
 BLOOMINGTON, ILLINOIS**

CONSTRUCT DRAINAGE IMPROVEMENTS

**CONSTRUCTION ACTIVITY PLAN
 PHASE 1**

© Copyright CMT, Inc.
CMT
 CRAWFORD, MURPHY & TILLY, INC.
 CONSULTING ENGINEERS
 License No. 184-000613

DESIGN BY: RLV
 DRAWN BY: DPA
 CHECKED BY: *REN*
 APPROVED BY: *REN*
 DATE: 04/01/2008
 JOB No: 0708502

IL PROJ NO. BMI-3793
 AIP PROJ NO. 3-17-0006-45