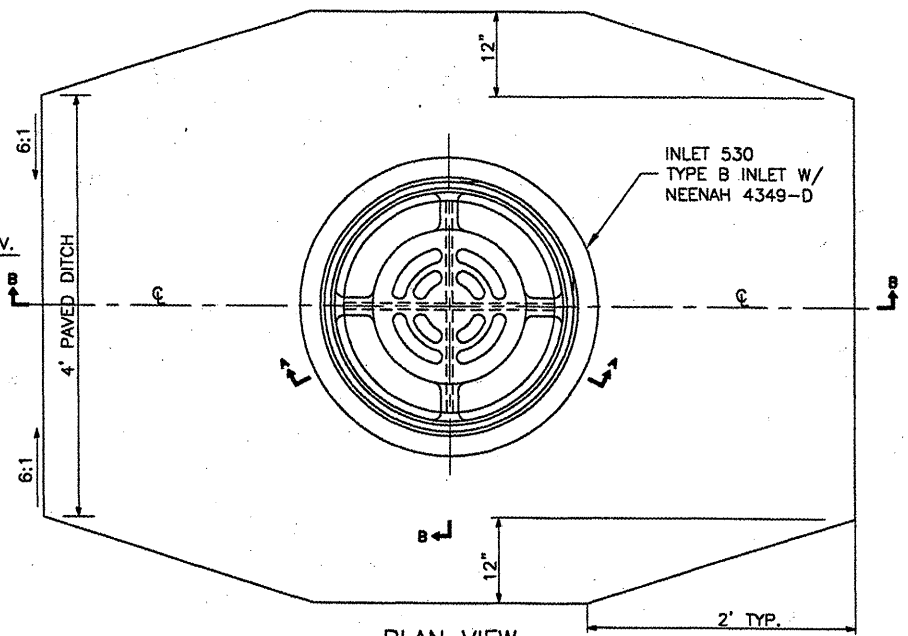
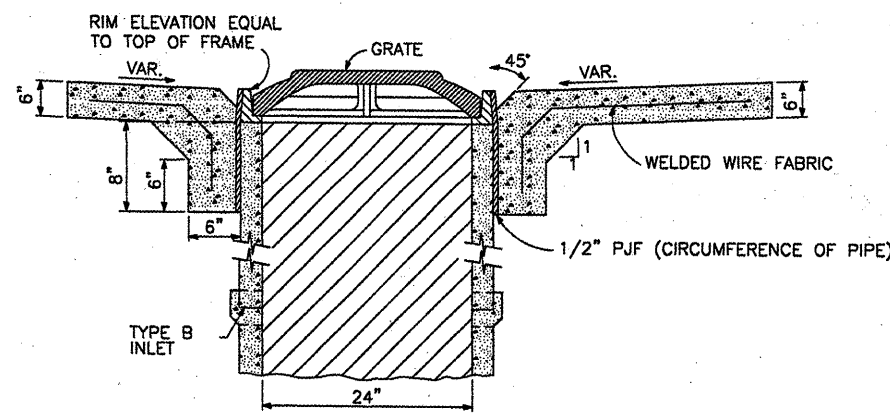


SECTION A-A
 NEENAH R-4349-D OR EQUIVALENT
 N.T.S.



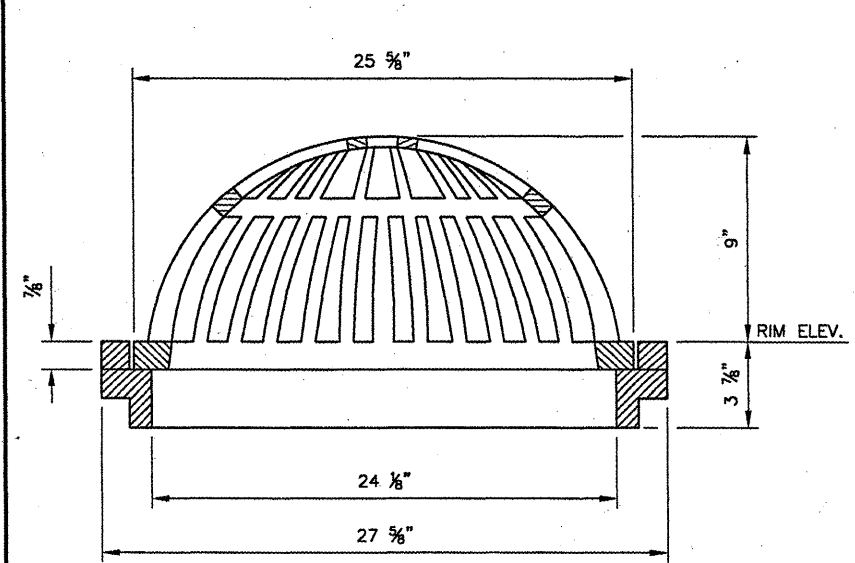
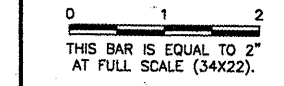
PLAN VIEW
 N.T.S.
INLET 530 PAVED DITCH LOCATION



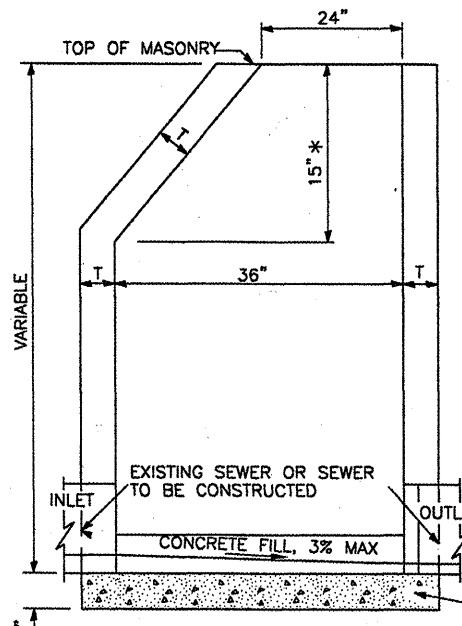
SECTION B-B
 N.T.S.

REVISIONS

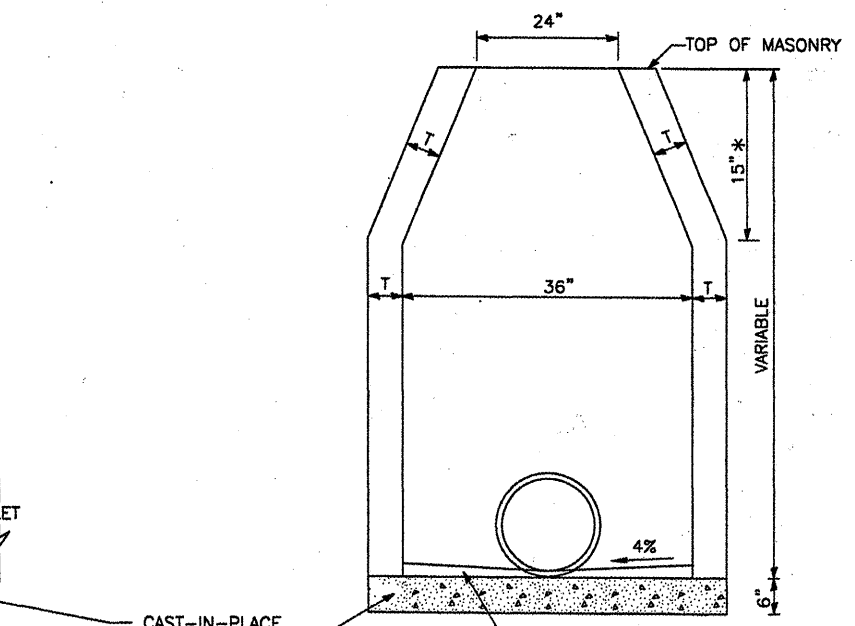
NUMBER	BY	DATE



BEEHIVE GRATE WITH FRAME
 NEENAH R-4353 OR EQUIVALENT
 N.T.S.



ELEVATION - ECCENTRIC

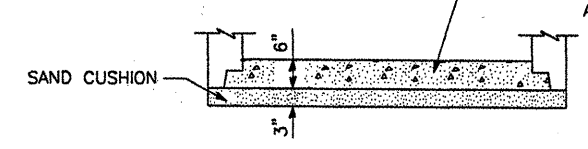
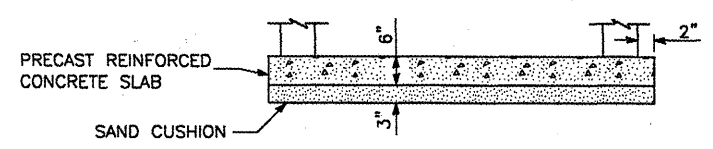


ELEVATION - CONCENTRIC

ALTERNATE MATERIALS FOR WALLS	T (MIN.)
CONCRETE MASONRY UNIT	5"
BRICK MASONRY	8"
PRECAST REINFORCED CONCRETE SECTION	3"
CAST-IN-PLACE CONCRETE	6"

GENERAL NOTES

* THIS DIMENSION FOR PRECAST REINFORCED CONCRETE SECTIONS MAY VARY FROM THE DIMENSION GIVEN TO PLUS 6".
 SEE STANDARD 602601 FOR OPTIONAL PRECAST CONCRETE FLAT SLAB TOP.
 ALL DIMENSION ARE IN INCHES UNLESS OTHERWISE SHOWN.



ALTERNATE BOTTOM SLAB

TYPE B INLET DETAIL
 IDOT STANDARD 602306-01
 N.T.S.

BLOOMINGTON-NORMAL AIRPORT AUTHORITY
CENTRAL ILLINOIS REGIONAL AIRPORT
BLOOMINGTON, ILLINOIS

CONSTRUCT DRAINAGE IMPROVEMENTS
INLET DETAILS

© Copyright CMT, Inc.
CMT
 CRAWFORD, MURPHY & TILLY, INC.
 CONSULTING ENGINEERS
 License No. 084-000619

DESIGN BY:	RLV
DRAWN BY:	DPA
CHECKED BY:	<i>RLV</i>
APPROVED BY:	<i>RLV</i>
DATE:	04/01/2008
JOB No:	0708502
IL PROJ NO.	BMI-3793
AIP PROJ NO.	3-17-006-45
SHEET 22 OF 46 SHEETS	