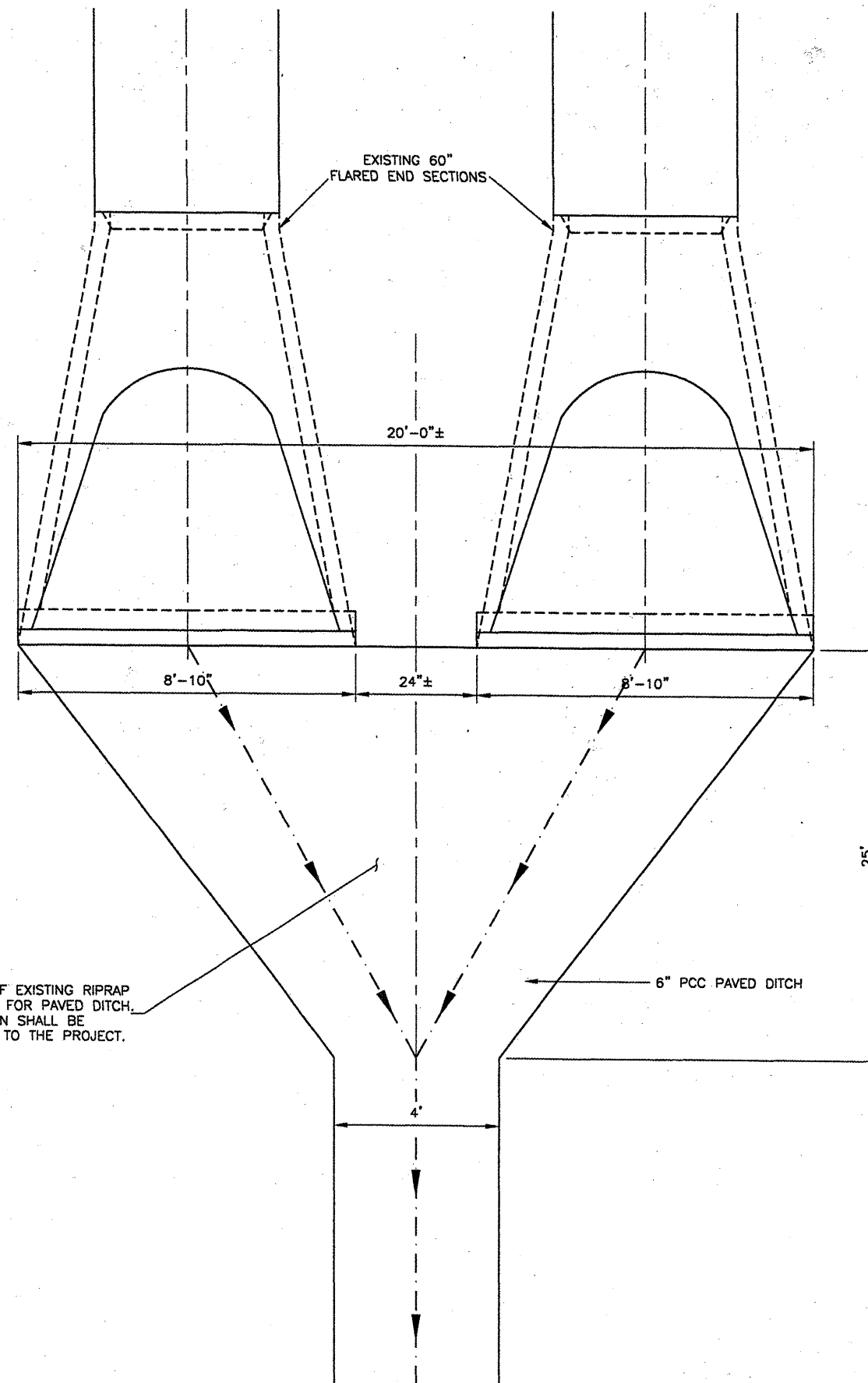


BLO63

K:\Bloomington\0708502\Draw\Sheets
FILE: DRAINDET02.dwg
UPDATE BY: Kristy Brod
PLOT DATE: 4/14/2008 9:44 AM
tbinfo

REVISIONS		
NUMBER	BY	DATE

0 1 2
THIS BAR IS EQUAL TO 2"
AT FULL SCALE (34X22).



REMOVAL OF EXISTING RIPRAP
NECESSARY FOR PAVED DITCH.
INSTALLATION SHALL BE
INCIDENTAL TO THE PROJECT.

TWIN 60" FES AND PAVED DITCH DETAIL
N.T.S.

BLOOMINGTON-NORMAL AIRPORT AUTHORITY
CENTRAL ILLINOIS REGIONAL AIRPORT
BLOOMINGTON, ILLINOIS

CONSTRUCT DRAINAGE IMPROVEMENTS
DRAINAGE DETAILS 2

© Copyright CMT, Inc.
CMT
CRAWFORD, MURPHY & TILLY, INC.
CONSULTING ENGINEERS
License No. 184-000513

DESIGN BY: RLV
DRAWN BY: DPA
CHECKED BY: RLV
APPROVED BY: RLV
DATE: 04/01/2008
JOB No: 0708502

IL PROJ NO. BMI-3793
AIP PROJ NO. 3-17-0006-45
SHEET 25 OF 46 SHEETS