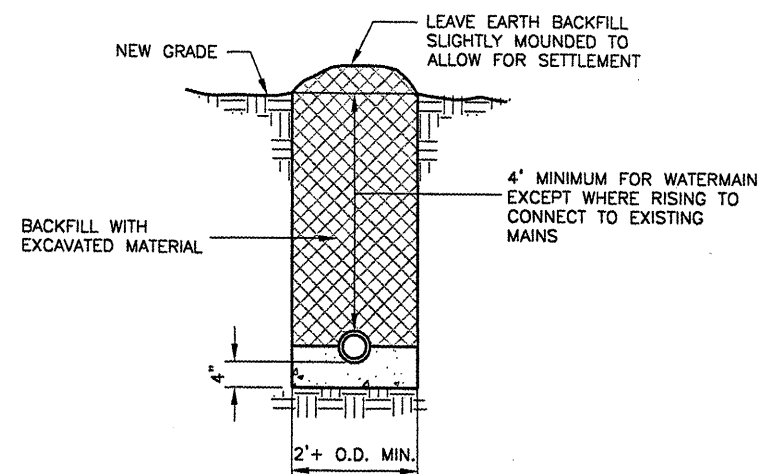
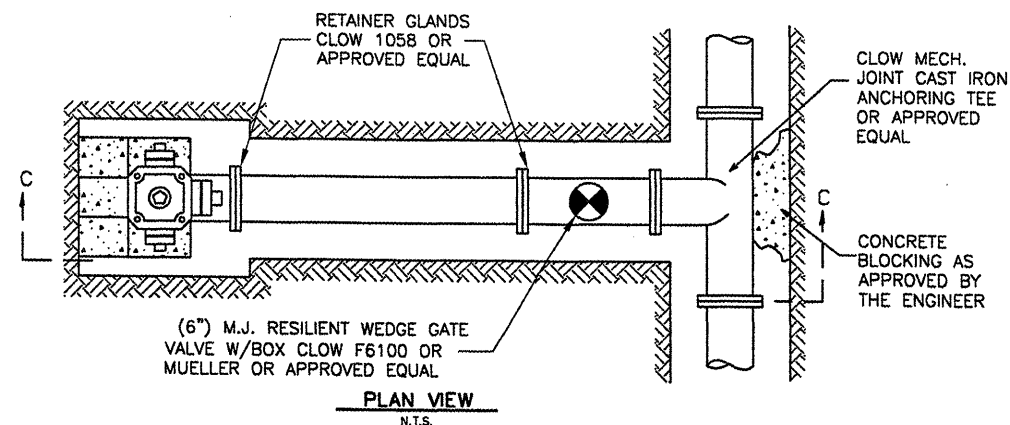


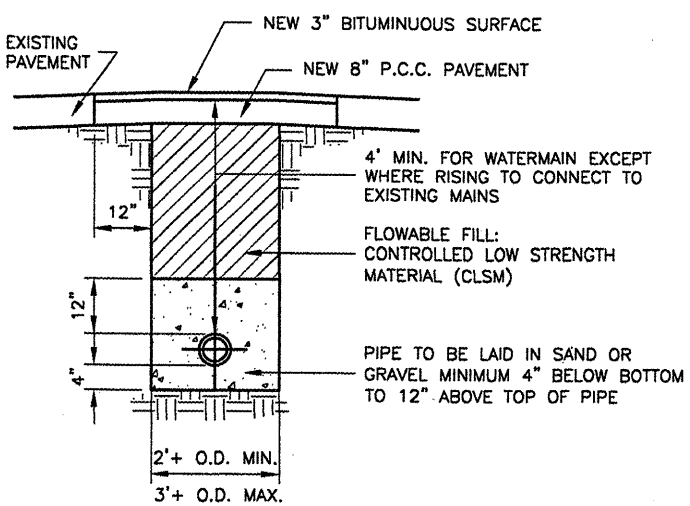
SEWER AND WATERMAIN INSTALLATION UNDERPAVEMENT DRIVEWAYS AND SIDEWALKS
N.T.S.



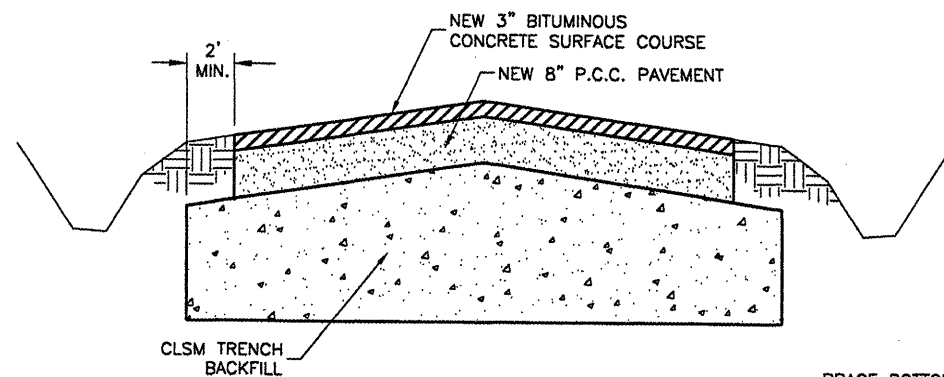
SEWER AND WATERMAIN INSTALLATION IN TURF AREAS
N.T.S.



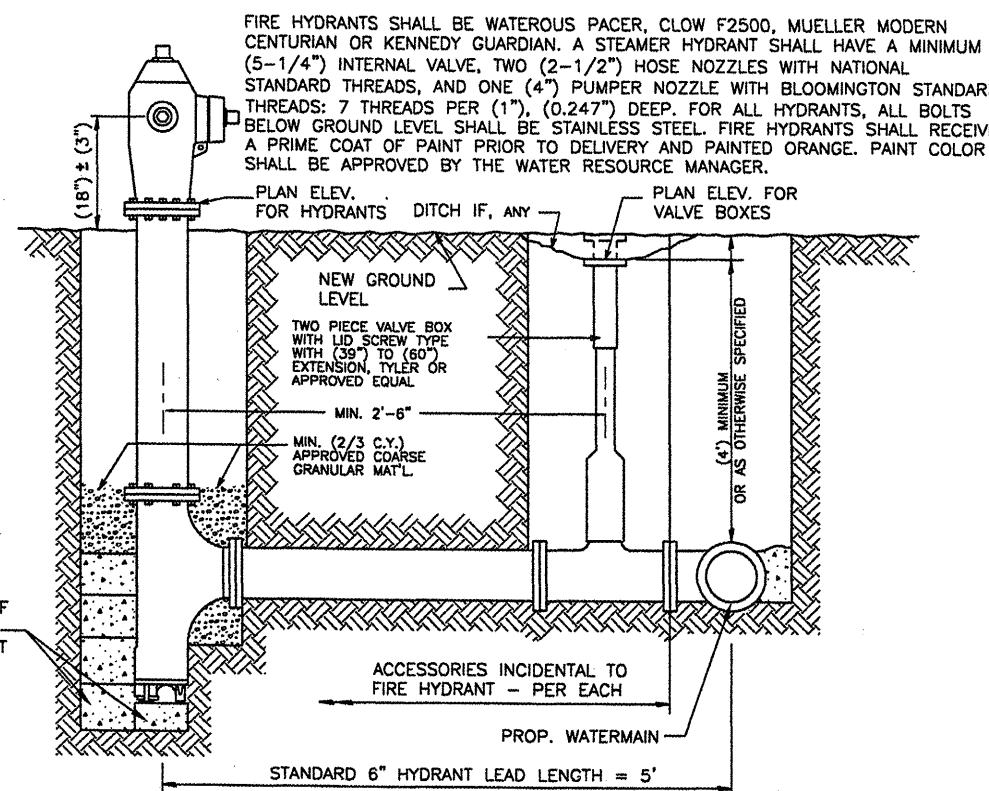
PLAN VIEW
N.T.S.



WATERMAIN INSTALLATION UNDER OAKLAND AVENUE
N.T.S.

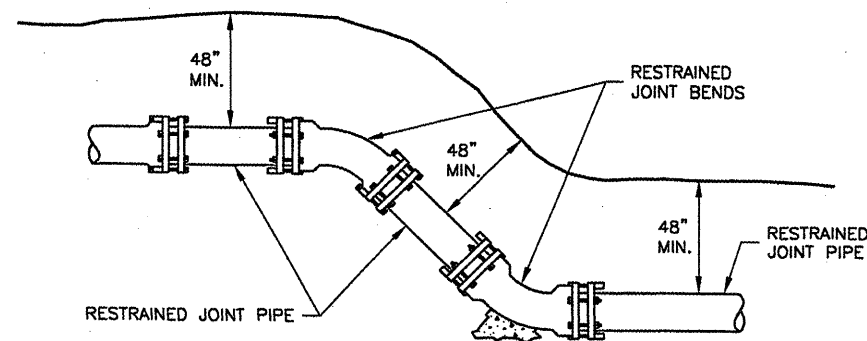


TYPICAL PAVEMENT REMOVAL & REPLACEMENT
N.T.S.

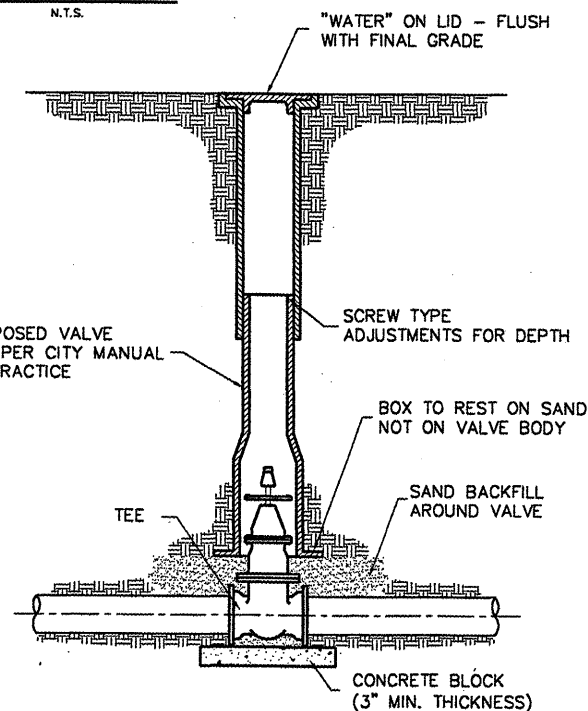


SECTION C-C
TYPICAL HYDRANT INSTALLATION
N.T.S.

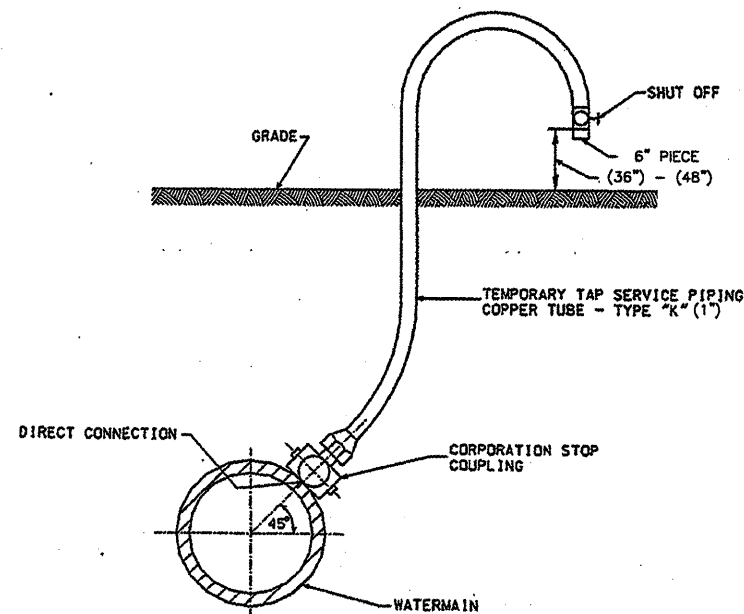
- NOTES:
1. THE "STANDARD SPECIFICATIONS FOR WATER AND SEWER MAIN CONSTRUCTION IN ILLINOIS", FIFTH EDITION, DATED MAY 1996 SHALL APPLY TO THIS WORK.
 2. ALL WATERMAIN MATERIALS SHALL BE MANUFACTURED IN COUNTRIES SIGNATORY TO THE NORTH AMERICAN FREE TRADE AGREEMENT AND SHALL MEET OR EXCEED AWWA SPECIFICATIONS.
 3. ALL FIRE HYDRANTS, VALVES, AND FITTINGS SHALL BE RESTRAINED.



TYPICAL FITTINGS IN A VERTICAL PLANE
N.T.S.



TYPICAL VALVE INSTALLATION
N.T.S.
DIV. V / STANDARD DRAWING NO. 14



SAMPLING & CHLORINATION SERVICE PIPING TAP
N.T.S.

K:\Bloomington\0508509_BMI_ARFF\Draw\Sheets
FILE: TYPWTRDET.dwg
UPDATE BY: Kristy Brod
PLOT DATE: 4/18/2008 8:53 AM

REVISIONS		
NUMBER	BY	DATE

0 1 2
THIS BAR IS EQUAL TO 2" AT FULL SCALE (34X22).

**BLOOMINGTON-NORMAL AIRPORT AUTHORITY
CENTRAL ILLINOIS REGIONAL AIRPORT
BLOOMINGTON, ILLINOIS**

**CONSTRUCT NEW ARFF FACILITY
WATER MAIN DETAILS**

© Copyright CMT, Inc.
CMT
CRAWFORD MURPHY & TILLY, INC.
CONSULTING ENGINEERS
License No. 184-000613

DESIGN BY:	RLV/WHP
DRAWN BY:	DPA
CHECKED BY:	RLV
APPROVED BY:	RLV
DATE:	04/01/2008
JOB No:	0508509
IL PROJ. NO.	BMI-3797
AIP PROJ. NO.	3-17-0006-46 & 48
SHEET	40 OF 66 SHEETS