

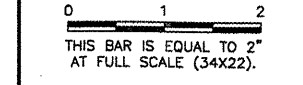
F1, F2, F3 CONTROL SCHEMATIC
 N.T.S.

- F1, F2, F3 CONTROL SCHEMATIC NOMENCLATURE
- ① MECHANICALLY-HELD LIGHTING CONTACTOR, 30A, 4-POLE, 600V, SQUARE D CAT. # SMO12V02, OR EQUIVALENT. MOUNT CONTACTOR AND CONTROL RELAY IN HINGED-COVER, NEMA 1 ENCLOSURE, SIZED AS REQUIRED TO HOUSE EQUIPMENT, HOFFMAN OR EQUIVALENT. INSTALL IN ELECTRICAL ROOM-LOCATION TO BE COORDINATED WITH THE ARCHITECT THROUGH THE ENGINEER.
 - ② PHOTOCELL, TORK MODEL #2101, OR EQUIVALENT. MOUNT ON BLDG EXTERIOR AS DIRECTED BY OWNER.
 - ③ CONTROL RELAY CR1, 10A, 120V, DIVERSIFIED ELECTRONICS #KAA-120-AT, OR EQUIVALENT, WITH SOCKET.
 - ④ DOOR-MOUNTED, THREE-POSITION, MAINTAINED-CONTACT, NON-METALLIC SELECTOR SWITCH WITH LEGEND PLATES AS SHOWN.

LIGHT FIXTURE SCHEDULE				
FIXTURE NO.	MANUFACTURER OR EQUAL	MAKE OR MODEL #	LAMP	LOCATION & MOUNTING
F1	KIM LIGHTING	1A/STL4/250PMH208/TDP * = COLOR TO BE SELECTED BY THE OWNER	250W PULSE START METAL HALIDE	PARKING LOT LIGHT POLE MOUNT
F2	KIM LIGHTING	1A/STL2/150PMH208/TDP * = COLOR TO BE SELECTED BY THE OWNER	150W PULSE START METAL HALIDE	AUTOMATIC GATE LIGHT POLE MOUNT
F3	KIM LIGHTING	AFL25/250PMH208/SM2/BL-P * = COLOR TO BE SELECTED BY THE OWNER	250W PULSE START METAL HALIDE	FLAG POLE LIGHT STANCHION MOUNT
POLE FOR F1	KIM LIGHTING	PRA30-6250/A/TD/M WITH VIBRATION DAMPER * = COLOR TO BE SELECTED BY THE OWNER	N/A	30' TALL PARKING LOT LIGHT POLE FOUNDATION MOUNT
POLE FOR F2	KIM LIGHTING	PRA20-5188/A/TD/M * = COLOR TO BE SELECTED BY THE OWNER	N/A	20' TALL AUTOMATIC GATE LIGHT POLE FOUNDATION MOUNT

BL064

REVISIONS		
NUMBER	BY	DATE

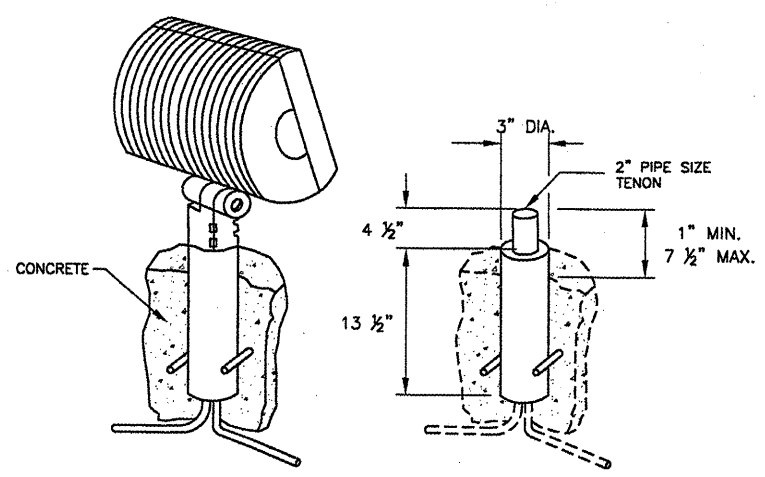


BLOOMINGTON-NORMAL AIRPORT AUTHORITY
 CENTRAL ILLINOIS REGIONAL AIRPORT
 BLOOMINGTON, ILLINOIS

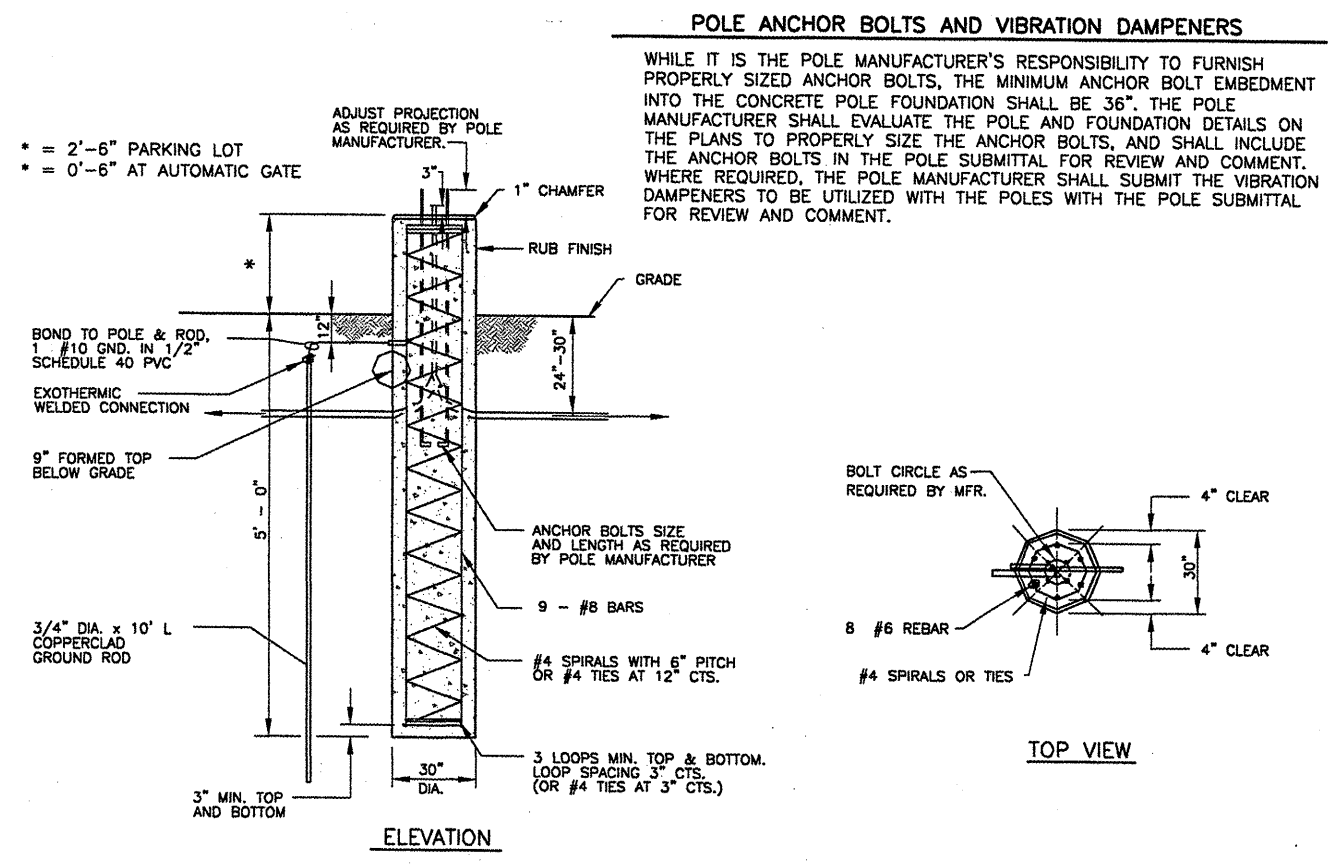
CONSTRUCT NEW ARFF FACILITY
 LIGHTING DETAILS

© Copyright CMT, Inc.
CMT
 CRAWFORD, MURPHY & TILLY, INC.
 CONSULTING ENGINEERS
 License No. 184-000619

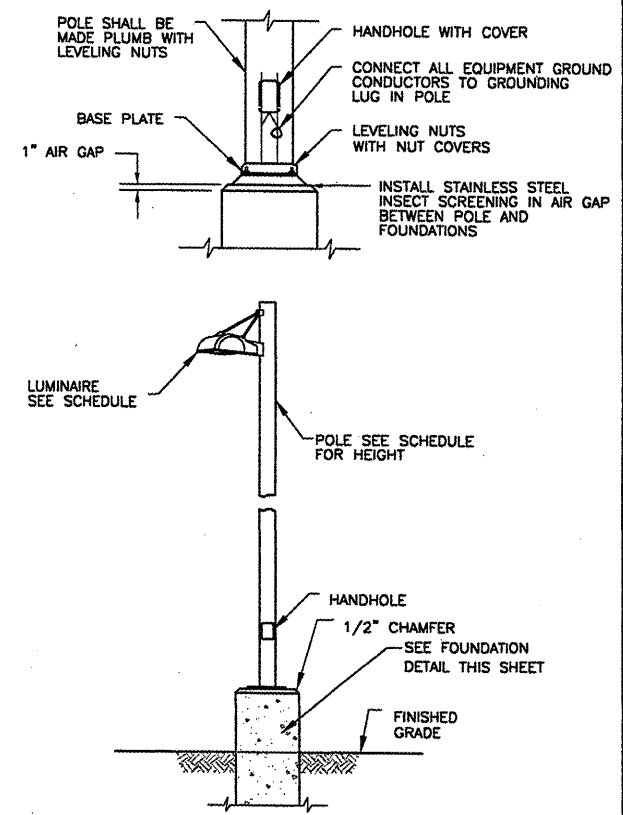
DESIGN BY:	TM
DRAWN BY:	DPA
CHECKED BY:	RW
APPROVED BY:	RW
DATE:	04/01/2008
JOB No:	0508509
IL PROJ. NO.	BMI-3797
AIP PROJ. NO.	3-17-0006-46 & 48
SHEET	44 OF 66 SHEETS



F3 STANCHION MOUNT DETAIL
 N.T.S.



F1 AND F2 POLE BASE DETAIL
 N.T.S.



F1 AND F2 LIGHT STANDARDS
 N.T.S.