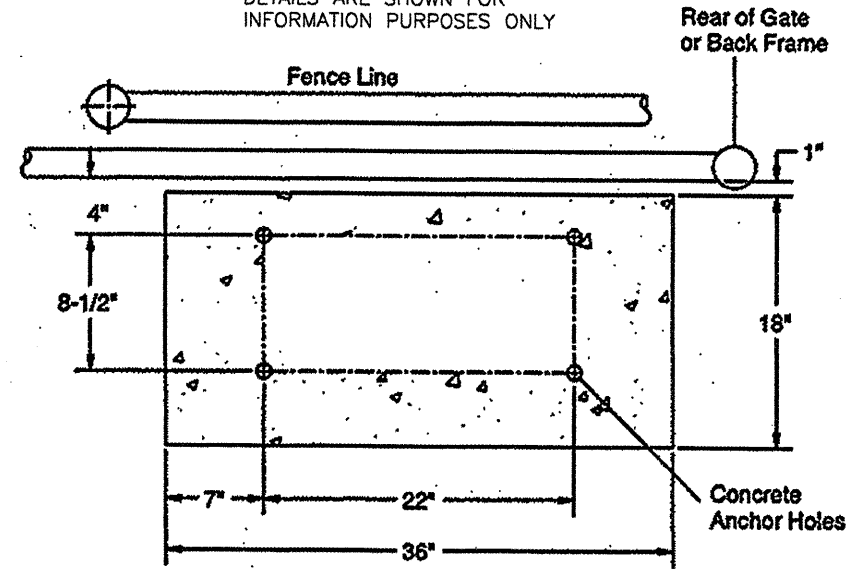
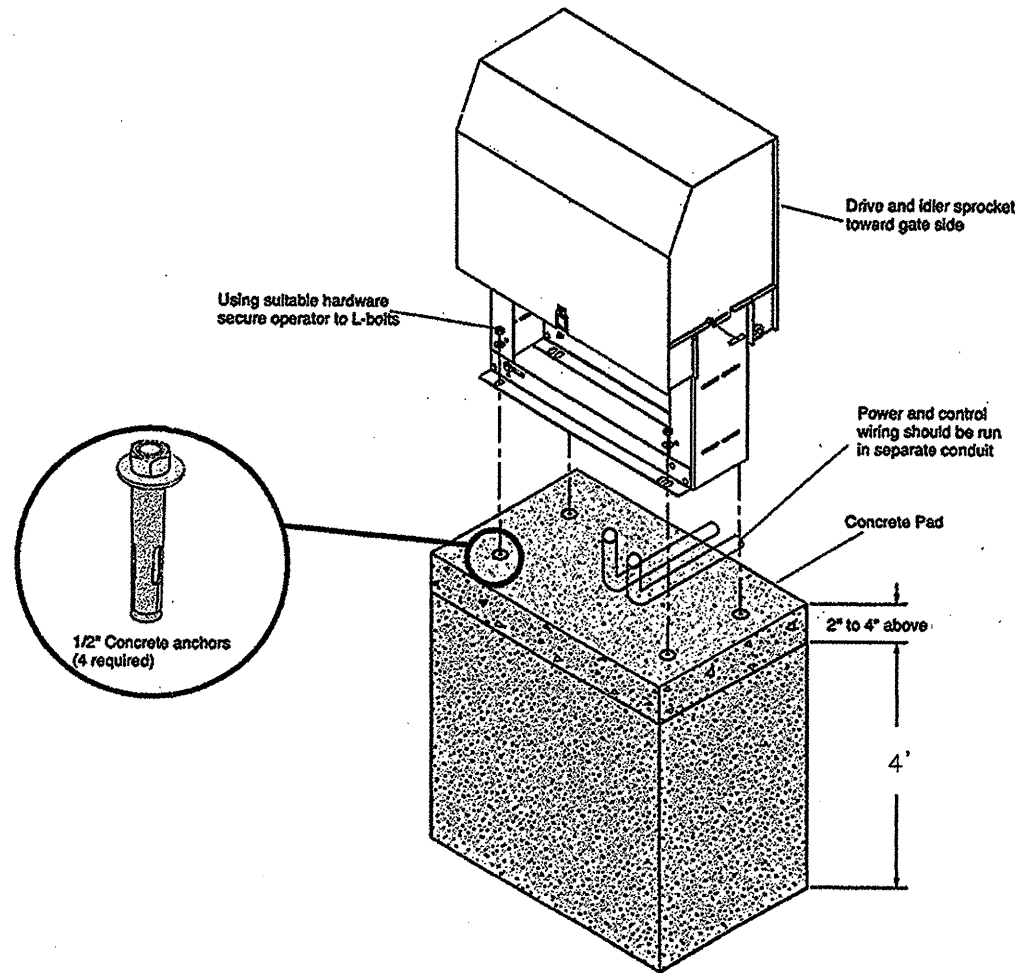


NOTE:
DETAILS ARE SHOWN FOR
INFORMATION PURPOSES ONLY



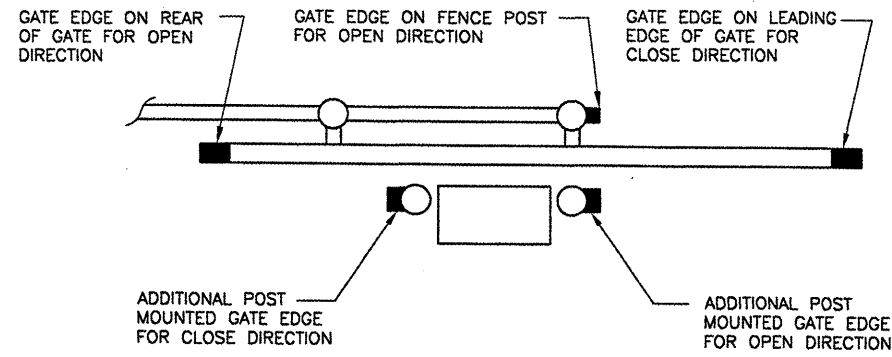
PLAN VIEW



ELEVATION VIEW

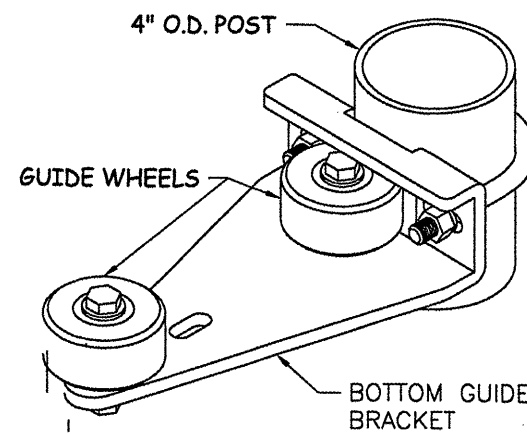
GATE OPERATOR DETAILS

N.T.S.



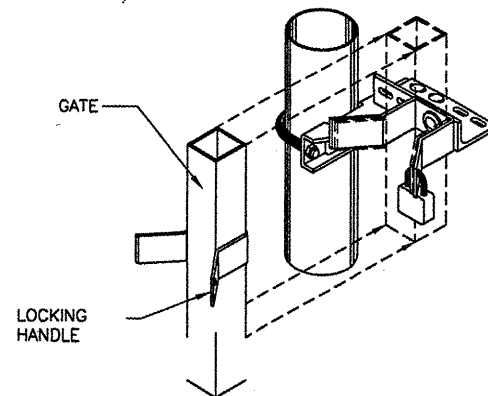
SECONDARY GATE OPERATOR ENTRAPMENT
PROTECTION CONTACT SENSORS

N.T.S.



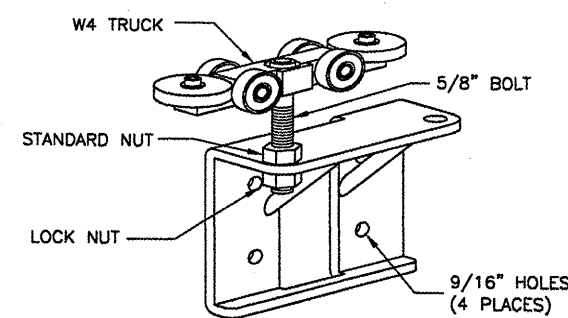
3 5 BOTTOM GUIDE

N.T.S.



5 5 CATCH ASSEMBLY

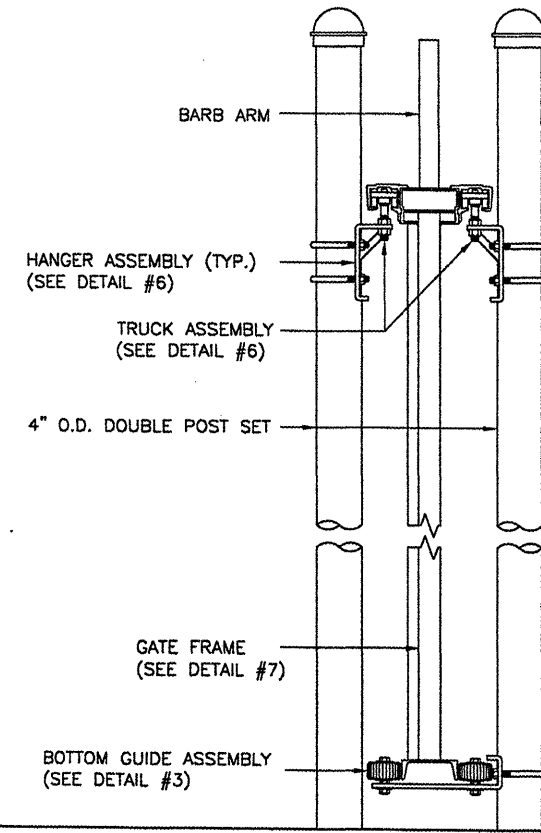
N.T.S.



6 5 GATE HANGER ASSEMBLY

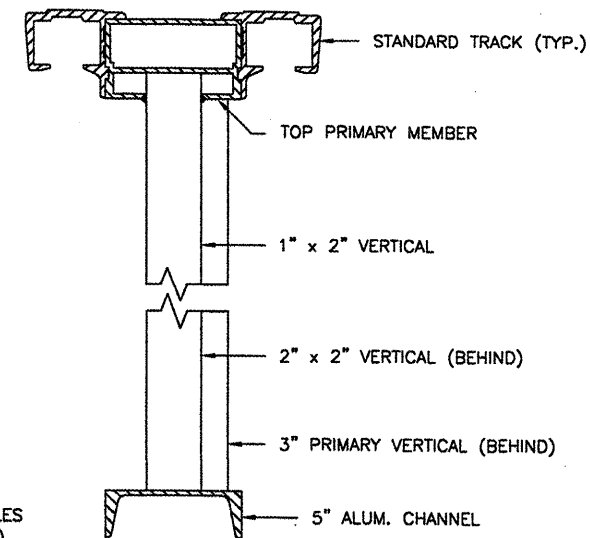
N.T.S.

CANTILEVER SLIDE GATE DETAILS



4 5 ASSEMBLY SECTION

N.T.S.



7 5 GATE FRAME SECTION

N.T.S.

K:\Bloomington\0508509_BMI_ARFF\Draw\Sheets
FILE: ELECDSL4.dwg
UPDATE BY: Kristy Brod
PLOT DATE: 4/18/2008 8:36 AM

BL064

REVISIONS

NUMBER	BY	DATE

0 1 2
THIS BAR IS EQUAL TO 2"
AT FULL SCALE (34X22).

BLOOMINGTON-NORMAL AIRPORT AUTHORITY
CENTRAL ILLINOIS REGIONAL AIRPORT
BLOOMINGTON, ILLINOIS

CONSTRUCT NEW ARFF FACILITY
ELECTRIC GATE DETAILS 2

© Copyright CMT, Inc.
CMT
CRAWFORD, MURPHY & TILLY, INC.
CONSULTING ENGINEERS
License No. 184-000513

DESIGN BY: WDP

DRAWN BY: DPA

CHECKED BY: *REN*

APPROVED BY: *REN*

DATE: 04/01/2008

JOB No: 0508509

IL PROJ. NO. BMI-3797

AIP PROJ. NO. 3-17-0006-46 & 48

SHEET 52 OF 66 SHEETS