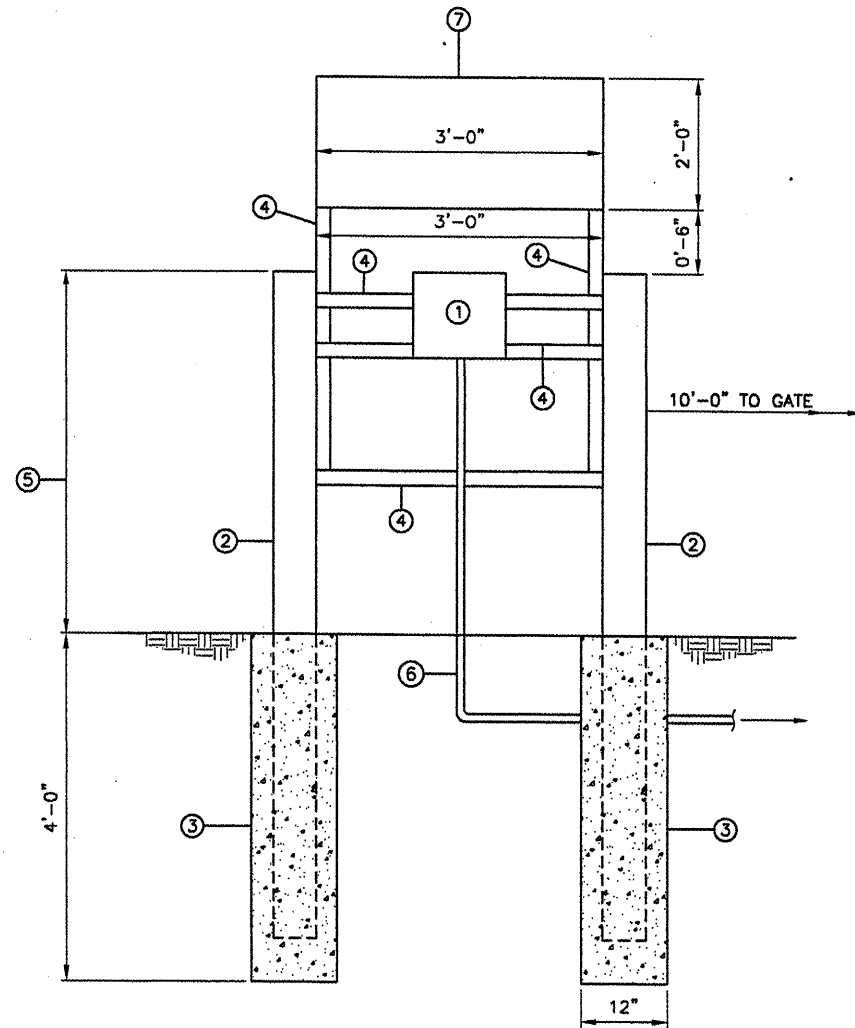
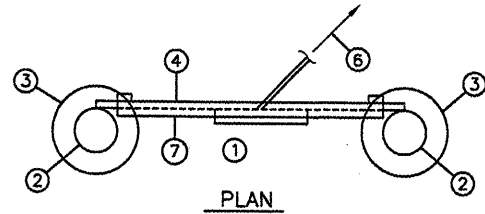


CARD READER NOMENCLATURE

- ① INDALA WEATHERPROOF LONG RANGE CARD READER, OR EQUIVALENT. SEE PLANS AND SPECIFICATIONS FOR ADDITIONAL INFORMATION.
- ② CONCRETE-FILLED 6" DIAMETER STEEL POST, PAINTED YELLOW.
- ③ CONCRETE FOUNDATION.
- ④ 2" WIDE x 1/4" THICK STEEL, WELDED TO 6" PIPE AND PAINTED YELLOW.
- ⑤ AS RECOMMENDED BY GATE OPERATOR INSTALLER, NOMINALLY 4.5'.
- ⑥ 6-CONDUCTOR #18 SHIELDED CABLE IN 1" CONDUIT. CONTRACTOR SHALL VERIFY WITH CARD READER SUPPLIER.
- ⑦ DIRECTORY DISPLAY SIGN, BOLTED TO 2" WIDE BY 1/4" THICK SHEET.

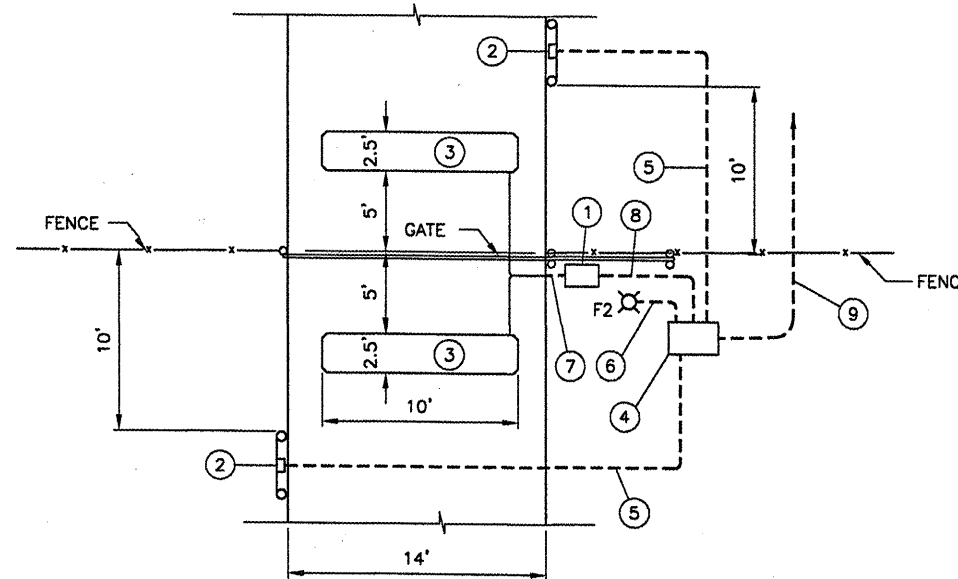


CARD READER INSTALLATION  
N.T.S.

NOMENCLATURE

- ① CANTILEVER GATE OPERATOR, CHAMBERLAIN LIFTMASTER MODEL SL575, 1/2 HP, 120V, SINGLE-PHASE, OR EQUIVALENT, SUITABLE FOR A MAXIMUM GATE WEIGHT OF 1200 LBS. SEE PLANS AND SPECIFICATIONS FOR ADDITIONAL INFORMATION.
- ② INDALA WEATHERPROOF LONG RANGE CARD READER, OR EQUIVALENT. SEE PLANS AND SPECIFICATIONS FOR ADDITIONAL INFORMATION.
- ③ DETECTOR LOOPS.
- ④ POLYMER CONCRETE HANDHOLE. HANDHOLE SHALL BE SOLID-BOTTOM DESIGN AND SHALL BE QUAZITE/HUBBELL #PG-2436-DA-42 WITH #PG-2436-HA-00-17 COVER, OR EQUIVALENT. HANDHOLES SHALL BE 24"W X 36"L X 42" DEEP. THE USE OF CHOPPED FIBERGLASS STRANDS, HIGH DENSITY POLYETHYLENE OR HIGH DENSITY POLYSTYRENE IS UNACCEPTABLE. PLASTIC AND/OR FIBERGLASS BOXES WILL NOT BE CONSIDERED AS ACCEPTABLE ALTERNATES FOR POLYMER CONCRETE HANDHOLES.
- ⑤ 6-CONDUCTOR #18 SHIELDED CABLE IN 1" CONDUIT. CONTRACTOR SHALL VERIFY WITH CARD READER SUPPLIER.
- ⑥ TWO #10 THWN (208V), ONE #10 GROUND IN 1" CONDUIT.
- ⑦ LOOP DETECTOR CABLES IN CONDUIT.
- ⑧ - TWO #8 THWN (120V), ONE #10 GROUND IN 1" CONDUIT.  
- 2/C #14 SHIELDED CABLE (GATE OPEN CONTROL FROM AARF BUILDING) IN 1" CONDUIT.
- ⑨ - TWO #10 USE (208V POWER FOR F2), ONE #10 GROUND IN 1" CONDUIT.  
- TWO #8 USE (120V POWER FOR GATE OPERATOR), ONE #10 GROUND IN 1" CONDUIT  
- TWO 6-CONDUCTOR #18 SHIELDED CABLES (CARD READERS, CONTRACTOR SHALL VERIFY WITH CARD READER SUPPLIER), 2/C #14 SHIELDED CABLE (GATE OPEN CONTROL) IN 2" CONDUIT. SEE ELECTRICAL PLAN 2 FOR CONTINUATION.

NOTE:  
ALL CONDUIT AND WIRING FROM POLYMER CONCRETE HANDHOLE TO AUTOMATIC GATE EQUIPMENT (OPERATOR, CARD READERS, SENSOR LOOPS, F2 LIGHT FIXTURE, ETC.) SHALL BE CONSIDERED INCIDENTAL TO THE AUTOMATIC GATE INSTALLATION AND WILL NOT BE MEASURED OR PAID FOR SEPARATELY.

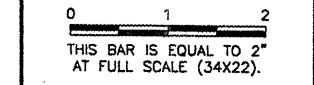


GATE NO. XX  
N.T.S.

K:\Bloomington\0508509\_BM\_ARFF\Draw\Sheets  
FILE: GATEDTLS1.dwg  
UPDATE BY: Kristy Brod  
PLOT DATE: 4/18/2008 8:36 AM

BL064

REVISIONS		
NUMBER	BY	DATE



BLOOMINGTON-NORMAL AIRPORT AUTHORITY  
CENTRAL ILLINOIS REGIONAL AIRPORT  
BLOOMINGTON, ILLINOIS

CONSTRUCT NEW ARFF FACILITY  
ELECTRIC GATE DETAILS 3

© Copyright CMT, Inc.  
**CMT**  
CRAWFORD, MURPHY & TILLY, INC.  
CONSULTING ENGINEERS  
License No. 184-000813

DESIGN BY:	WDP
DRAWN BY:	CMT
CHECKED BY:	RLV
APPROVED BY:	RLV
DATE:	04/01/2008
JOB No:	0508509
IL PROJ. NO.	BMI-3797
AIP PROJ. NO.	3-17-0006-46 & 48
SHEET	53 OF 66 SHEETS