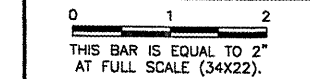


BL064

REVISIONS		
NUMBER	BY	DATE



**BLOOMINGTON-NORMAL AIRPORT AUTHORITY
 CENTRAL ILLINOIS REGIONAL AIRPORT
 BLOOMINGTON, ILLINOIS**

**CONSTRUCT NEW ARFF FACILITY
 ONE-LINE DIAGRAM**

© Copyright CMT, Inc.
CMT
 CRAWFORD, MURPHY & TILLY, INC.
 CONSULTING ENGINEERS
 License No. 84-000610

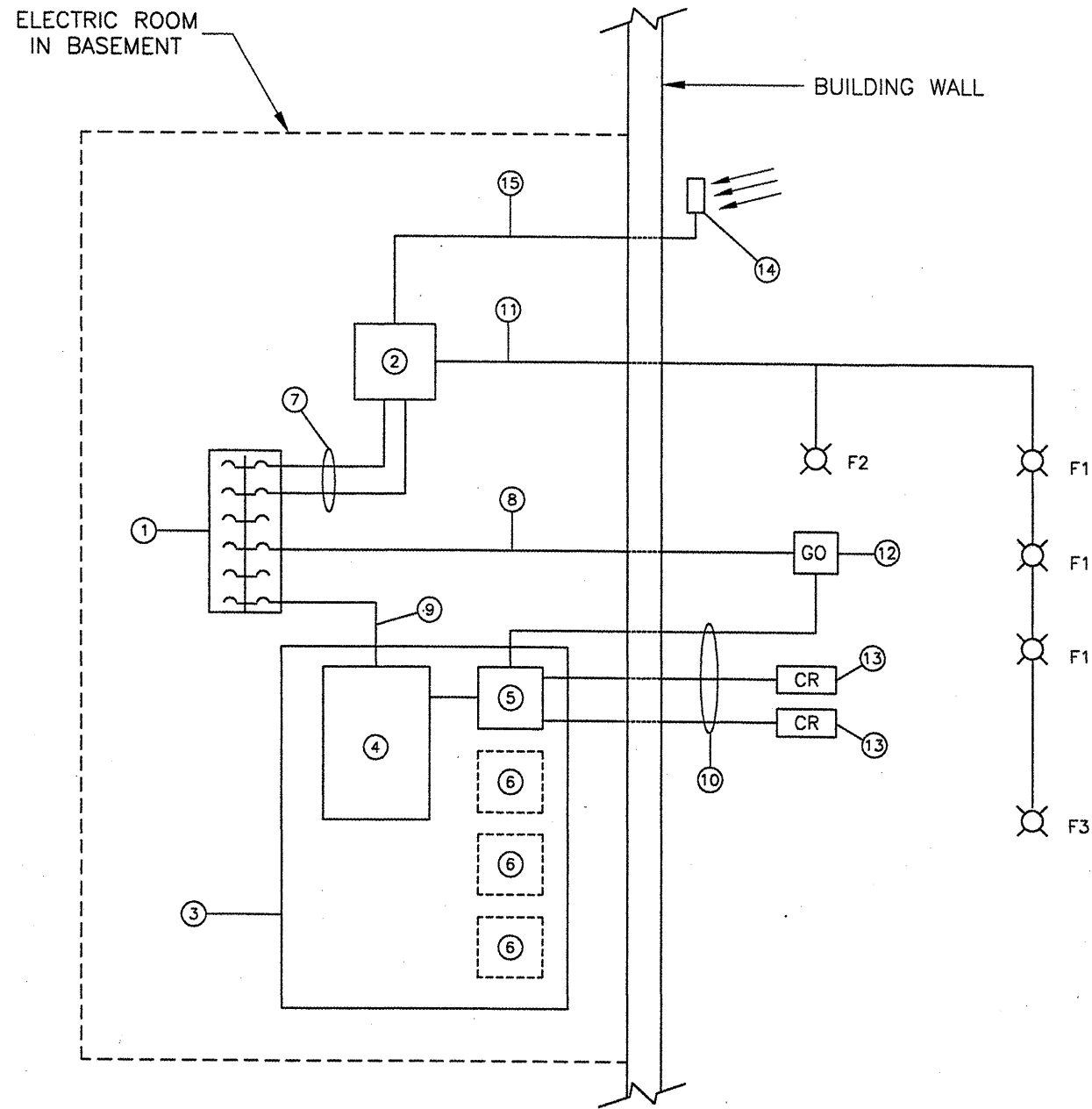
DESIGN BY:	WDP
DRAWN BY:	CMT
CHECKED BY:	<i>[Signature]</i>
APPROVED BY:	<i>[Signature]</i>
DATE:	04/01/2008
JOB No:	0508509
IL PROJ. NO.	BMI-3797
AIP PROJ. NO.	3-17-0006-46 & 48
SHEET	55 OF 66 SHEETS

ONE-LINE DIAGRAM NOMENCLATURE

- ① LIGHTING PANELBOARD (N.I.C.) FURNISHED AND INSTALLED BY AARF BUILDING CONTRACTOR. THE FOLLOWING CIRCUIT BREAKERS SHALL BE PROVIDED:
 - 20A, 1P, LABELED "PARKING LOT, FLAG POLE, GATE LIGHTING CONTROL"
 - 20A, 2P, LABELED "PARKING LOT, FLAG POLE, GATE LIGHTS"
 - 20A, 1P, LABELED "GATE OPERATOR"
 - 20A, 1P, LABELED "ACCESS CONTROLLER"
 CONTRACTOR SHALL COORDINATE THIS WORK WITH THE AARF BUILDING CONTRACTOR THROUGH THE ENGINEER.
- ② LIGHTING CONTROLLER. CONTRACTOR SHALL COORDINATE THE LOCATION OF THIS EQUIPMENT IN THE ELECTRICAL ROOM WITH THE AARF BUILDING ARCHITECT THROUGH THE ENGINEER.
- ③ ACCESS CONTROLLER EQUIPMENT MOUNTING PANEL, SIZED AS REQUIRED TO MOUNT CURRENT AND FUTURE EQUIPMENT. CONTRACTOR SHALL COORDINATE THIS WORK WITH THE ACCESS CONTROLLER SUPPLIER. CONTRACTOR SHALL COORDINATE THE LOCATION OF THIS EQUIPMENT IN THE ELECTRICAL ROOM WITH THE AARF BUILDING ARCHITECT THROUGH THE ENGINEER.
- ④ ACCESS CONTROLLER, HIRSCH DIGI*TRAC M16N2, OR EQUIVALENT. NOMINAL DIMENSIONS: 18"Hx15"Wx6"D.
- ⑤ INTELLIGENT READER INTERFACE, HIRSCH MATCH MRIA IN MB2 ENCLOSURE, OR EQUIVALENT. NOMINAL DIMENSIONS: 8"Hx6"Wx4"D.
- ⑥ FUTURE INTELLIGENT READER INTERFACE UNITS.
- ⑦ TWO #12 THWN (120V), TWO #12 THWN (208V), ONE #12 GROUND IN 3/4" CONDUIT.
- ⑧ TWO #8 USE (120V), ONE #10 GROUND IN 1" CONDUIT.
- ⑨ TWO #12 THWN (120V), ONE #12 GROUND IN 3/4" CONDUIT.
- ⑩ TWO 6-CONDUCTOR #18 SHIELDED CABLES (CARD READERS, CONTRACTOR SHALL VERIFY WITH CARD READER SUPPLIER), 2/C #14 SHIELDED CABLE (GATE OPEN CONTROL) IN 2" CONDUIT.
- ⑪ TWO #10 USE (208V POWER FOR F1, F2 & F3), ONE #10 GROUND IN 1" CONDUIT.
- ⑫ CANTILEVER GATE OPERATOR, CHAMBERLAIN LIFTMASTER MODEL SL575, 1/2 HP, 120V, SINGLE-PHASE, OR EQUIVALENT.
- ⑬ INDALA WEATHERPROOF LONG RANGE CARD READER, OR EQUIVALENT.
- ⑭ PHOTOCCELL, TORK MODEL #2101, OR EQUIVALENT. MOUNT ON BLDG EXTERIOR. CONTRACTOR SHALL COORDINATE THE LOCATION OF THIS EQUIPMENT WITH THE AARF BUILDING ARCHITECT THROUGH THE ENGINEER.
- ⑮ THREE #12 THWN IN 3/4" CONDUIT. IF METALLIC CONDUIT IS USED, INSTALL GROUNDING BUSHING WHERE CONDUIT ENTERS NEMA 1 ENCLOSURE AND BOND CONDUIT TO BUILDING GROUND SYSTEM.

ONE-LINE DIAGRAM NOTES

- 1.) CONDUITS INSIDE AARF BUILDING SHALL BE MET TO MATCH THE REST OF THE CONDUITS. CONDUITS OUTSIDE AARF BUILDING SHALL BE SCHEDULE 40 PVC.
- 2.) ALL MATERIAL, LABOR, EQUIPMENT, ETC. INSIDE THE AARF BUILDING THAT IS RELATED TO THE LIGHTING CONTROLS INSTALLATION SHALL BE CONSIDERED INCIDENTAL TO THE LIGHTING CONTROLS PAY ITEM AND WILL NOT BE MEASURED OR PAID FOR SEPARATELY.
- 3.) ALL CONDUITS, WIRING, MATERIAL, LABOR, EQUIPMENT, ETC. INSIDE THE AARF BUILDING THAT IS RELATED TO THE ACCESS CONTROLS INSTALLATION SHALL BE CONSIDERED INCIDENTAL TO THE ACCESS CONTROLS PAY ITEM AND WILL NOT BE MEASURED OR PAID FOR SEPARATELY.



ONE-LINE DIAGRAM
 NTS