



HANSON PROFESSIONAL SERVICES INC.

815 Commerce Drive, Suite 200  
Oak Brook, Illinois 60523  
Telephone: 630.990.3800  
Fax: 630.990.3801

Illinois Professional Design Firm  
Registration No. 184-001084

© Copyright Hanson Professional Service Inc. 2008

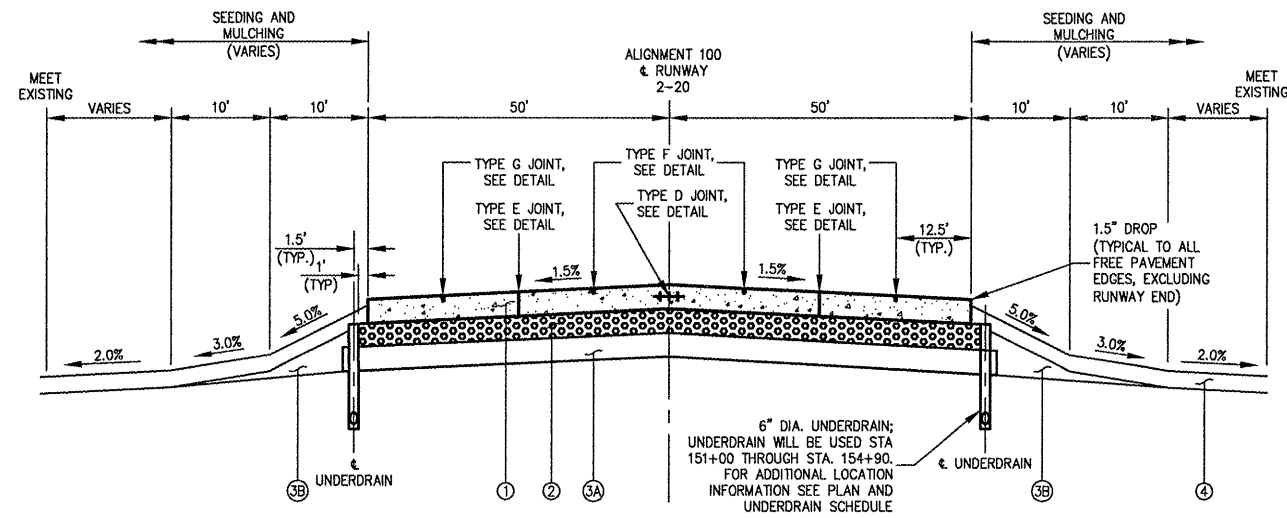


JOLIET REGIONAL PORT DISTRICT

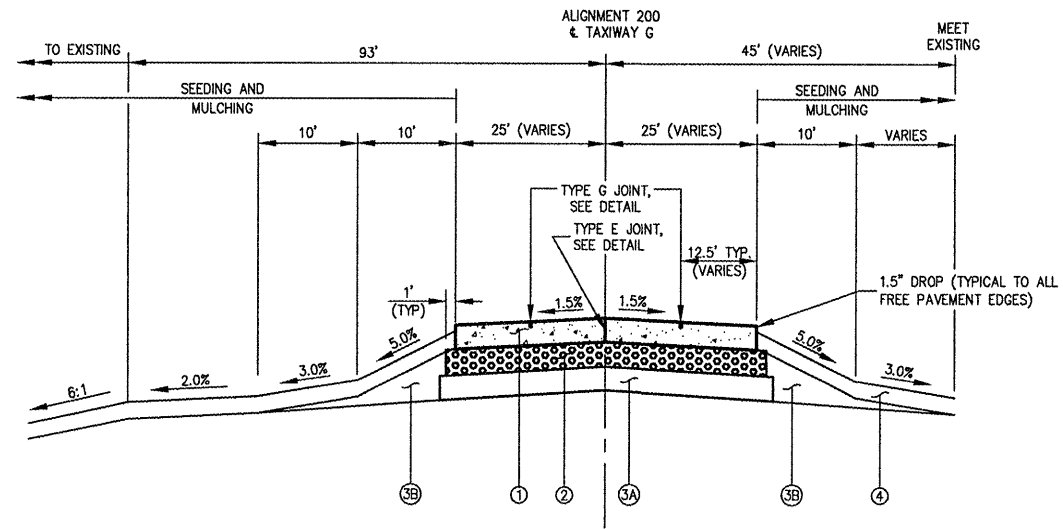
1 George Michas Drive  
Romeoville, Illinois 60446  
Telephone: 815.838.9497  
Fax: 815.838.9524

EXTEND RUNWAY 2-20; CONSTRUCT  
TAXIWAY TURNAROUND

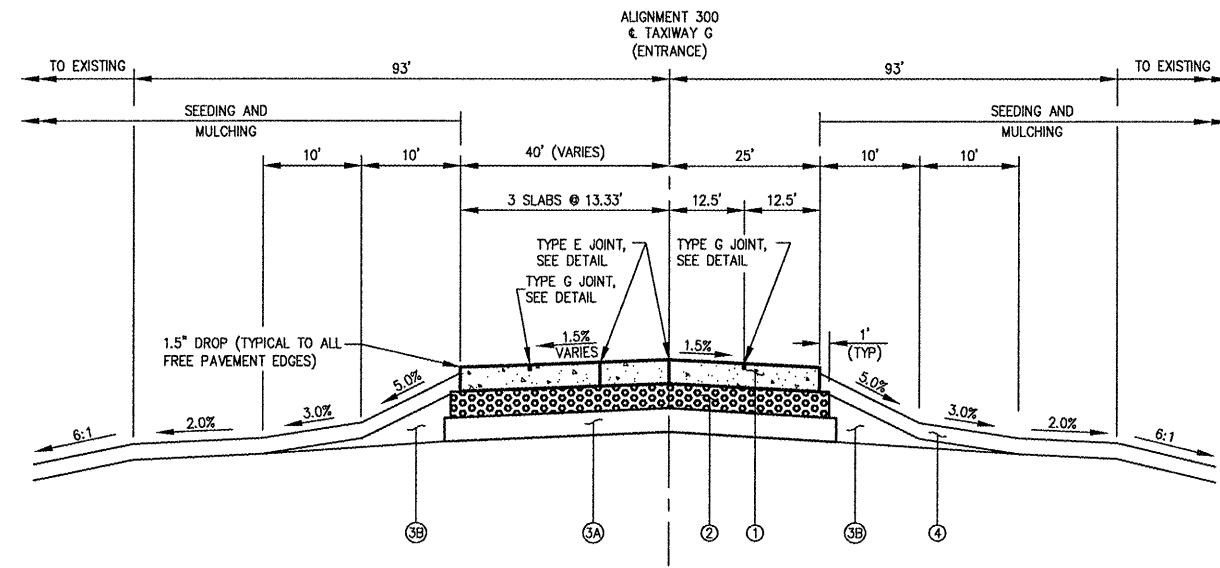
AIP PROJECT NO. 3-17-0140-B42  
IDA PROJECT NO. LOT-3792



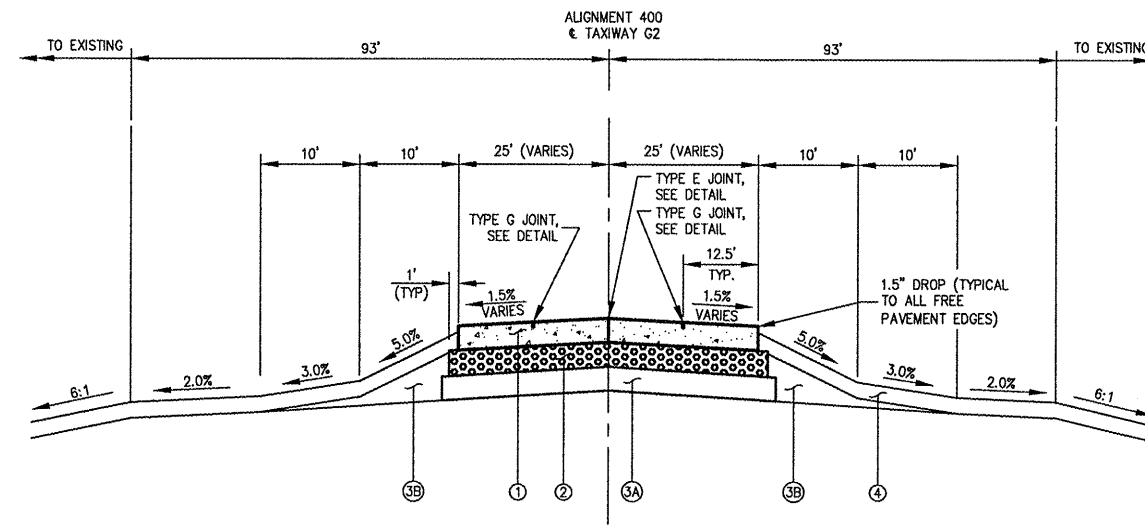
TYPICAL SECTION - RUNWAY 2-20 AND TAXIWAY G  
(SECTION SHOWN LOOKING NORTH)



TYPICAL SECTION - TAXIWAY G2  
(SECTION SHOWN LOOKING EAST)



TYPICAL SECTION - TAXIWAY G (ENTRANCE)  
(SECTION SHOWN LOOKING EAST)



- ① PROPOSED 10 INCH PCC PAVEMENT, ITEM AR501510
- ② PROPOSED 6 INCH CRUSHED AGGREGATE BASE COURSE, ITEM AR209606
- ③ PROPOSED PREPARED SUBGRADE:
  - A. SUBGRADE PREPARATION WITHIN 5 FEET OF PROPOSED PAVEMENT EDGE.
  - B. FILL OUTSIDE THESE AREAS MAY BE NON-STRUCTURAL FILL. CUT AREAS - REMOVE TOPSOIL AND CLAY TO FINISHED SUBGRADE ELEV. FILL AREAS - REMOVE TOPSOIL AND PLACE CLAY FILL TO FINISHED SUBGRADE ELEVATION.
- ④ PROPOSED 4 INCH TOPSOIL IN SEEDING AND MULCHING AREAS, ITEM AR905510

NOTES:

- 1. FOR ADDITIONAL INFORMATION AND VARIATIONS ON TYPICAL JOINTING, SEE JOINTING PLAN AND DETAILS.
- 2. FOR ADDITIONAL LANDSCAPING INFORMATION, SEE LANDSCAPING PLAN.

No.	Drawing Issue Description	Date	By

Date  
APRIL 18, 2008  
Sheet Title

TYPICAL SECTIONS

07A0166  
Project Number  
LDH 02/21/08  
Layout By Date  
LDH 02/21/08  
Designed By Date  
RMH 03/20/08  
Reviewed By Date  
Drawn By Sheet No.