



HANSON PROFESSIONAL SERVICES INC.

815 Commerce Drive, Suite 200
Oak Brook, Illinois 60523
Telephone: 630.990.3800
Fax: 630.990.3801

Illinois Professional Design Firm
Registration No. 184-001084

© Copyright Hanson Professional Service Inc. 2008

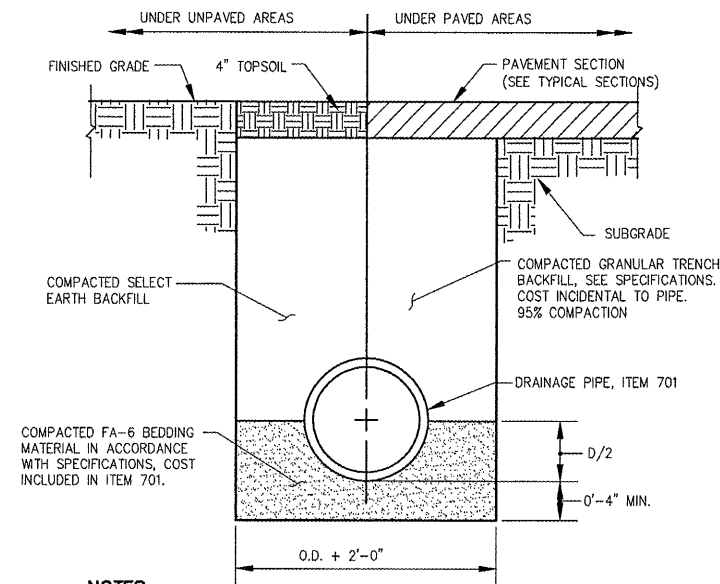


JOLIET REGIONAL PORT DISTRICT

1 George Michas Drive
Romeoville, Illinois 60446
Telephone: 815.838.9497
Fax: 815.838.9524

EXTEND RUNWAY 2-20: CONSTRUCT
TAXIWAY TURNAROUND

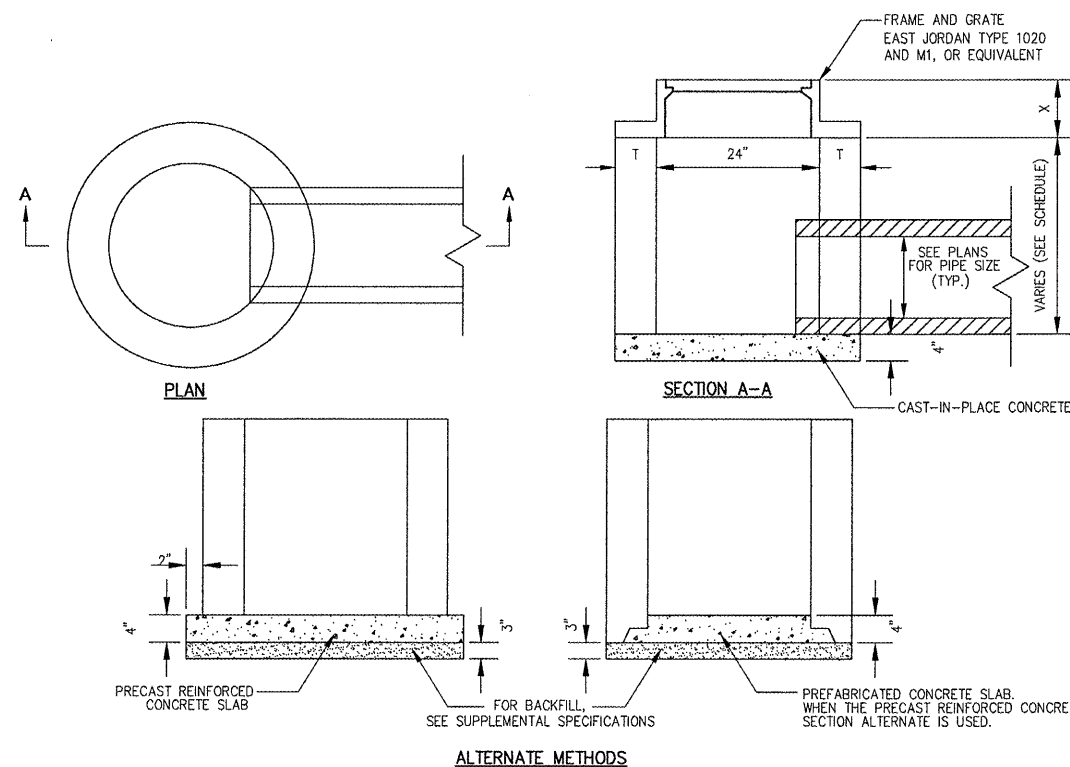
AIP PROJECT NO. 3-17-0140-B42
IDA PROJECT NO. LOT-3792



NOTES

1. UNSUITABLE MATERIAL ENCOUNTERED DURING PLACEMENT OF BEDDING SHALL BE REMOVED AND REPLACED.
2. WITHIN 3 FEET OF PAVED AREA, GRANULAR BACKFILL IS TO BE USED INSTEAD OF EARTH BACKFILL.
3. AT CONTRACTOR'S OPTION IDOT CONTROLLED LOW STRENGTH MATERIAL WITH A HIGH EARLY STRENGTH, "FLASH FILL", MAY BE USED INSTEAD OF GRANULAR TRENCH BACKFILL UNDER PAVEMENTS.

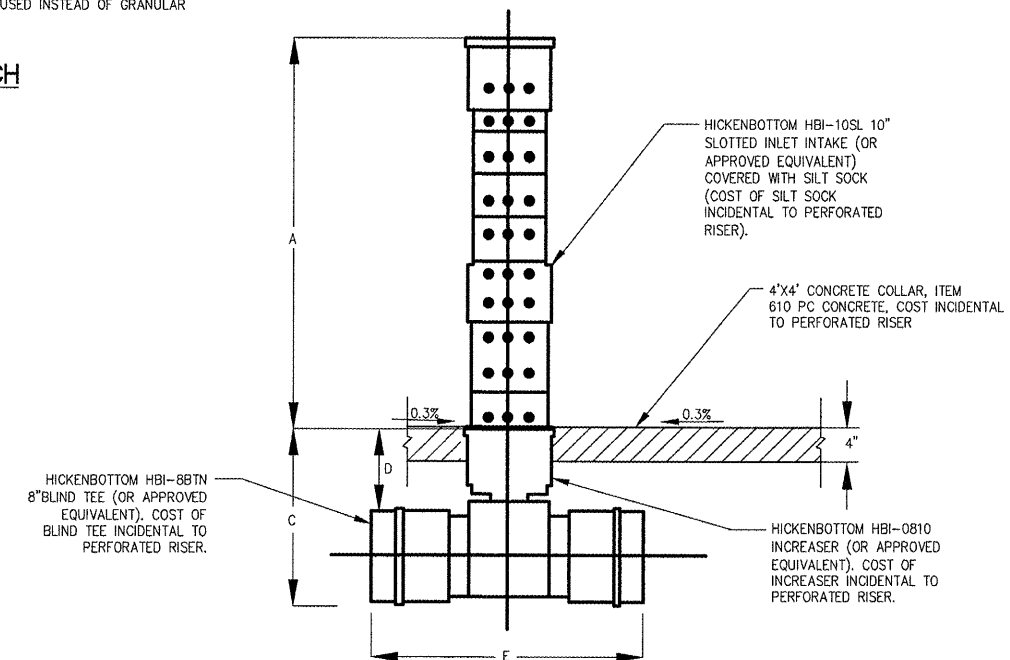
PIPE TRENCH



NOTES

1. SEE DRAINAGE AND UNDERDRAIN SCHEDULE FOR LOCATION, SIZE AND NUMBER OF PIPE CONNECTIONS.
2. INLETS TO BE PRECAST REINFORCED CONCRETE SECTIONS (T = 5").

INLET TYPE A
(IDOT STANDARD 602301)



DIAMETER	5"	6"	8"	10"	12"
A	780 mm	780	850	850	1015 mm
1" HOLES	60	100	168	216	204
HOLES/ROW	6	10	12	18	12
B	780 mm	780	850	850	940 mm
C	380 mm	380	470	500	610 mm
D	195 mm	195	225	200	
E	540 mm	540	660	685	1015 mm

PERFORATED RISER

DETAILS SHOWN ARE NOT TO SCALE

No.	Drawing Issue Description	Date	By

Date

APRIL 18, 2008

Sheet Title

STORM SEWER DETAILS

07A0166

Project Number
LDH 02/27/08
Layout By Date
SJM 03/07/08
Designed By Date
RMH 03/20/08
Reviewed By Date
LDH | SJM | ---
Drawn By Sheet No.

27