



HANSON PROFESSIONAL SERVICES INC.

815 Commerce Drive, Suite 200
Oak Brook, Illinois 60523
Telephone: 630.990.3800
Fax: 630.990.3801

Illinois Professional Design Firm
Registration No. 184-001084

© Copyright Hanson Professional Service Inc. 2008

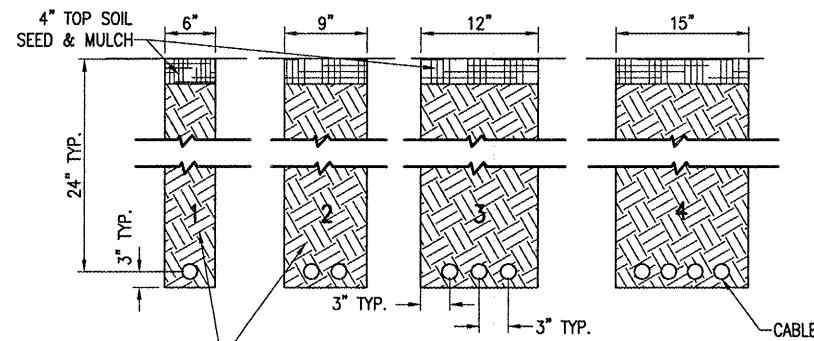


JOLIET REGIONAL PORT DISTRICT

1 George Michas Drive
Romeoville, Illinois 60446
Telephone: 815.838.9497
Fax: 815.838.9524

EXTEND RUNWAY 2-20: CONSTRUCT
TAXIWAY TURNAROUND

AIP PROJECT NO. 3-17-0140-B42
IDA PROJECT NO. LOT-3792



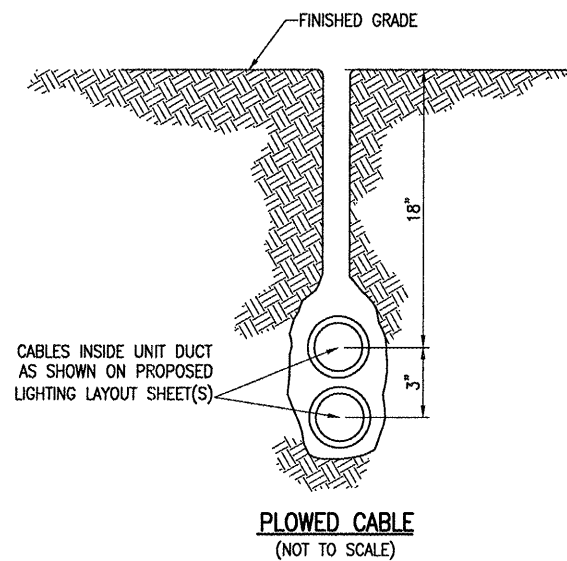
EARTH BACKFILL WILL HAVE MAXIMUM 1" SIZE PARTICLES AND WILL BE PLACED IN TWO LIFTS AS APPROXIMATELY SHOWN (TYPICAL FOR ALL TRENCHES)

NOTES:
DETAIL NUMBERS INDICATE NO. OF CABLES.

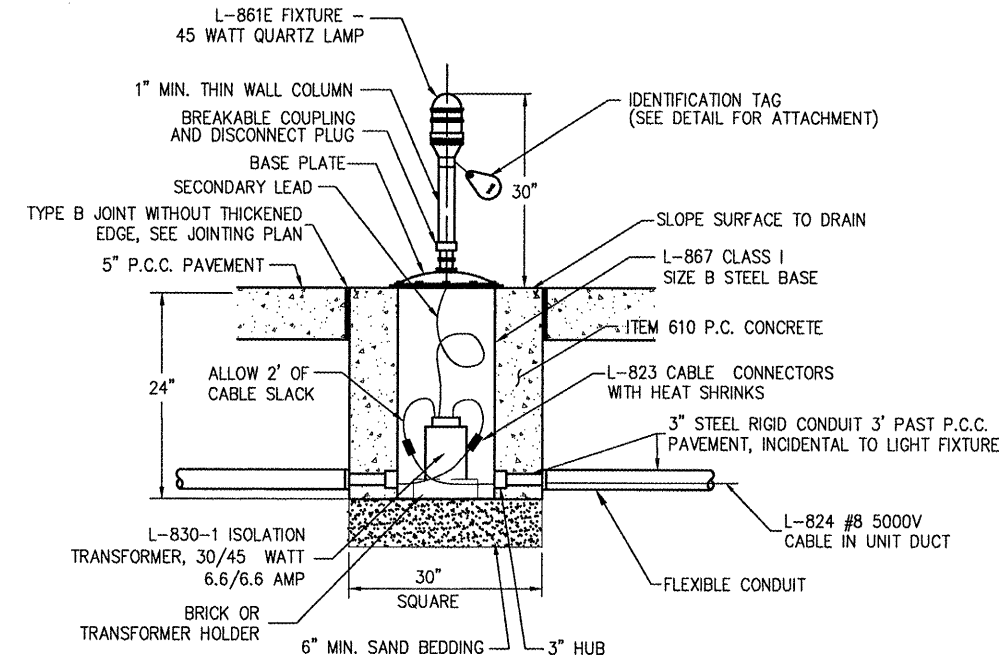
DEPTH OF TRENCHES SHALL BE AS SHOWN ABOVE UNLESS OTHERWISE SPECIFIED ON THE PLANS.

ALL DISTURBED SURFACES SHALL BE RESTORED TO THEIR ORIGINAL CONDITION. COST IS INCIDENTAL TO TRENCH.

CABLE TRENCHES
(NOT TO SCALE)



PLOWED CABLE
(NOT TO SCALE)

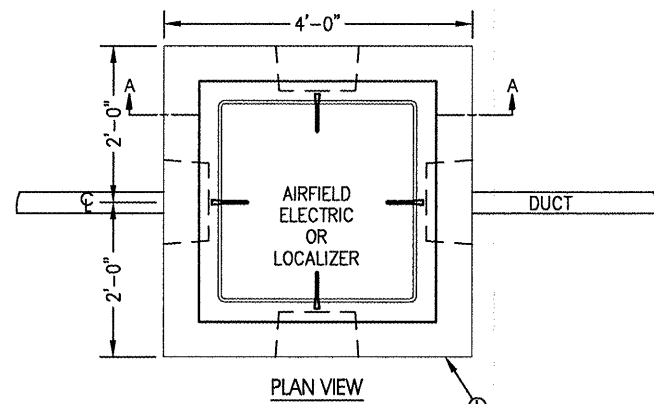


- BREAKABLE COUPLING SHALL NOT BE OVER 1" ABOVE BASE PLATE.
- TWO FEET OF SLACK CABLE IS TO BE LEFT AT EACH LIGHT. SLACK IS TO BE ON THE CABLE SIDE OF PRIMARY CONNECTORS AND SPLICES AND IS TO BE INCIDENTAL TO THE CABLE.
- GALVANIZED RIGID STEEL CONDUIT SHALL BE INCIDENTAL TO LIGHT FIXTURE.
- SEE SPECIAL PROVISIONS FOR ADDITIONAL REQUIREMENTS.

SIDE VIEW

RELOCATED L-861E BASE-MOUNTED THRESHOLD LIGHT

(FIXTURES 054-059)



PLAN VIEW

PARTS LIST (PER EACH)		
ITEM	DESCRIPTION	QUANTITY
1	PRECAST CONCRETE JUNCTION BOX	1
2	CAST IRON FRAME & COVER EAST JORDAN IRON WORKS 8213 OR EQUAL WITH CONCEALED HINGE COVER. LETTERING "AIRFIELD ELECTRIC" (1) OR "LOCALIZER" (3).	1
3	3/8" PLASTIC THREADED INSERT	4
4	3/8" Ø GALVANIZED CABLE HOOK	4

SPECIFICATIONS

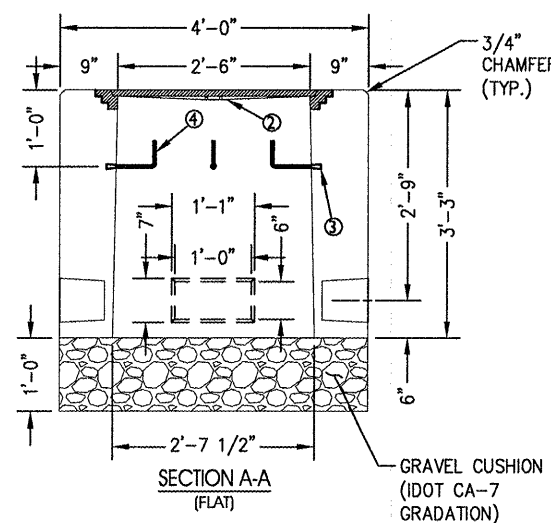
CONCRETE: 5,000 P.S.I. @ 28 DAYS, 5%-8% ENTRAINED AIR, 4" MAX. SLUMP. IDOT CLASS P.C.

DESIGN CRITERIA: PRECAST VERSION OF ILLINOIS STATE TOLL HIGHWAY AUTHORITY STANDARD NO. RL 91-04 LIGHT AND HEAVY DUTY JUNCTION BOXES.

WEIGHT: 4,990# FLAT TOP

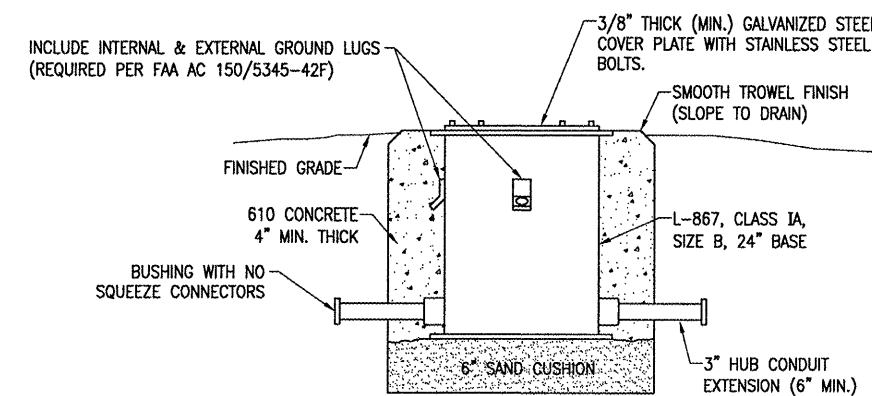
NOTES

- HANDHOLE SHALL BE PRECAST AS DETAILED.
- PRECAST HANDHOLE TO BE UTILITY CONCRETE PRODUCTS, LLC. 30" X 30" JUNCTION BOX OR APPROVED EQUAL.
- HANDHOLE FRAME AND LID SHALL BE HEAVY DUTY SUITABLE FOR H-20 LOADING. LIDS FOR HANDHOLES USED WITH AIRFIELD LIGHTING OR ELECTRICAL CABLES SHALL BE LABELED "AIRFIELD ELECTRIC". LIDS FOR HANDHOLES USED WITH THE DUCTS AND CABLES BETWEEN THE LOCALIZER/DME SHELTER AND THE LOCALIZER ANTENNA ARRAY SHALL BE LABELED "LOCALIZER".
- GRAVEL CUSHION SHALL BE INCIDENTAL TO THE HANDHOLE.
- HANDHOLES WILL BE PAID FOR UNDER ITEM AR110610 ELECTRICAL HANDHOLE PER EACH.



SECTION A-A
(FLAT)

ELECTRICAL HANDHOLE



TRANSFORMER BASE/SPLICE CAN DETAIL
(NOT TO SCALE)

No.	Drawing Issue Description	Date	By

Date
APRIL 18, 2008
Sheet Title

PROPOSED ELECTRICAL DETAILS SHEET 2

07A0166
Project Number
KNL 03/11/08
Layout By Date
KNL 03/11/08
Designed By Date
RMH 03/20/08
Reviewed By Date
MV
Drawn By Sheet No.