



HANSON PROFESSIONAL SERVICES INC.

815 Commerce Drive, Suite 200
Oak Brook, Illinois 60523
Telephone: 630.990.3800
Fax: 630.990.3801

Illinois Professional Design Firm
Registration No. 184-001084

© Copyright Hanson Professional Service Inc. 2008

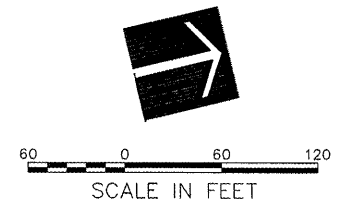


JOLIET REGIONAL PORT DISTRICT

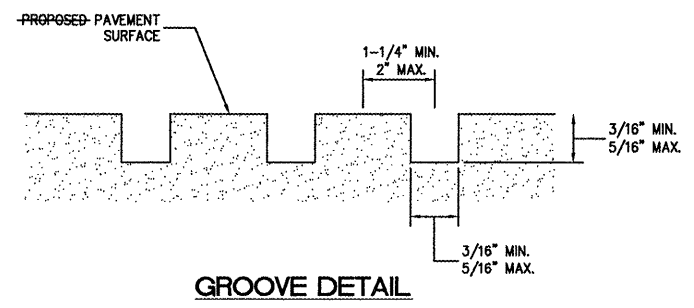
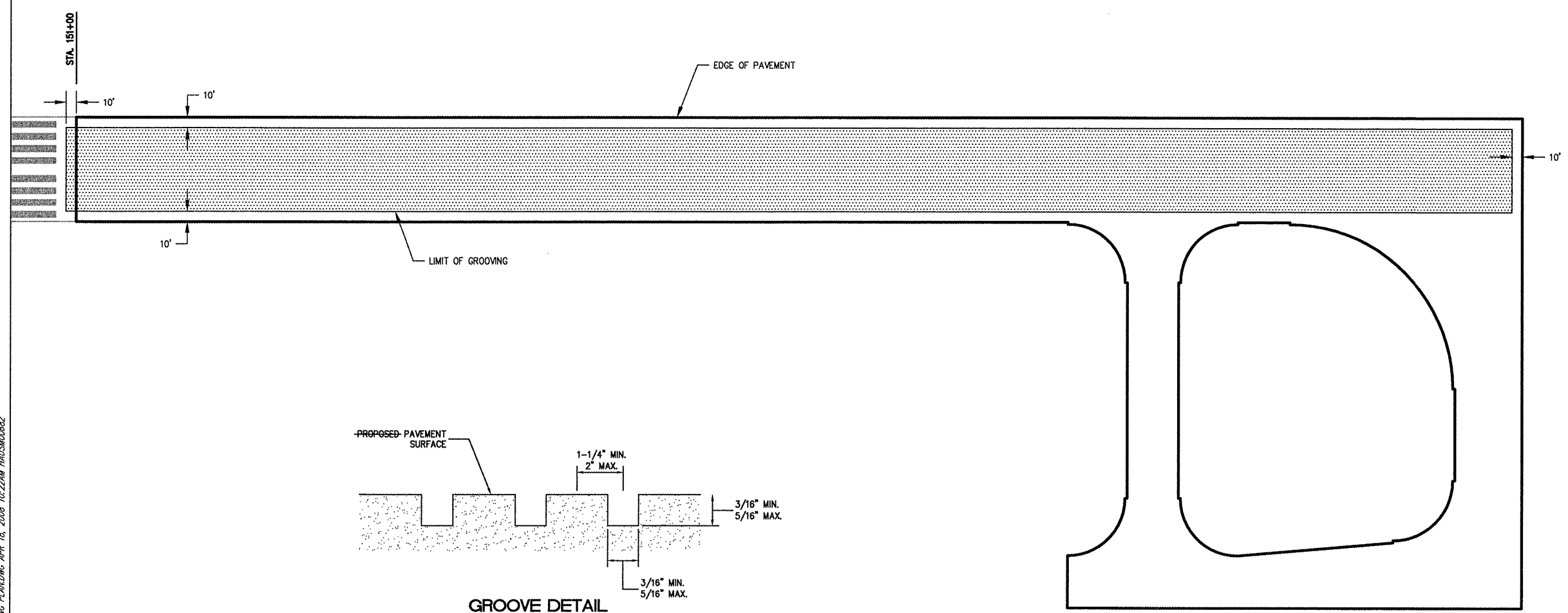
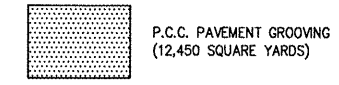
1 George Michas Drive
Romeoville, Illinois 60446
Telephone: 815.838.9497
Fax: 815.838.9524

EXTEND RUNWAY 2-20; CONSTRUCT
TAXIWAY TURNAROUND

AIP PROJECT NO. 3-17-0140-B42
IDA PROJECT NO. LOT-3792



LEGEND



- NOTES**
- 1. ALIGNMENT SHALL NOT VARY +/- 1-1/2" FOR ANY 75 FOOT DISTANCE.
 - 2. SAW-CUT GROOVES MAY NOT BE CLOSER THAN 3" TO TRANSVERSE PAVING JOINTS AND 6" TO IN-PAVEMENT FIXTURES.
 - 3. GROOVING AND CLEAN-UP SHALL BE COMPLETED BEFORE APPLICATION OF PAVEMENT MARKINGS.

No.	Drawing Issue Description	Date	By

Date
APRIL 18, 2008
Sheet Title

PAVEMENT GROOVING
PLAN AND DETAILS

07A0166
Project Number
LDH 03/07/08
Layout By Date
LDH 03/07/08
Designed By Date
RMH 03/20/08
Reviewed By Date
LDH
Drawn By Sheet No.

I:\072085\02840\07A0166\DRAWINGS\SHEETS\06-GROOVING\PLANNING\APR 18, 2008 10:22AM\HANSU00662