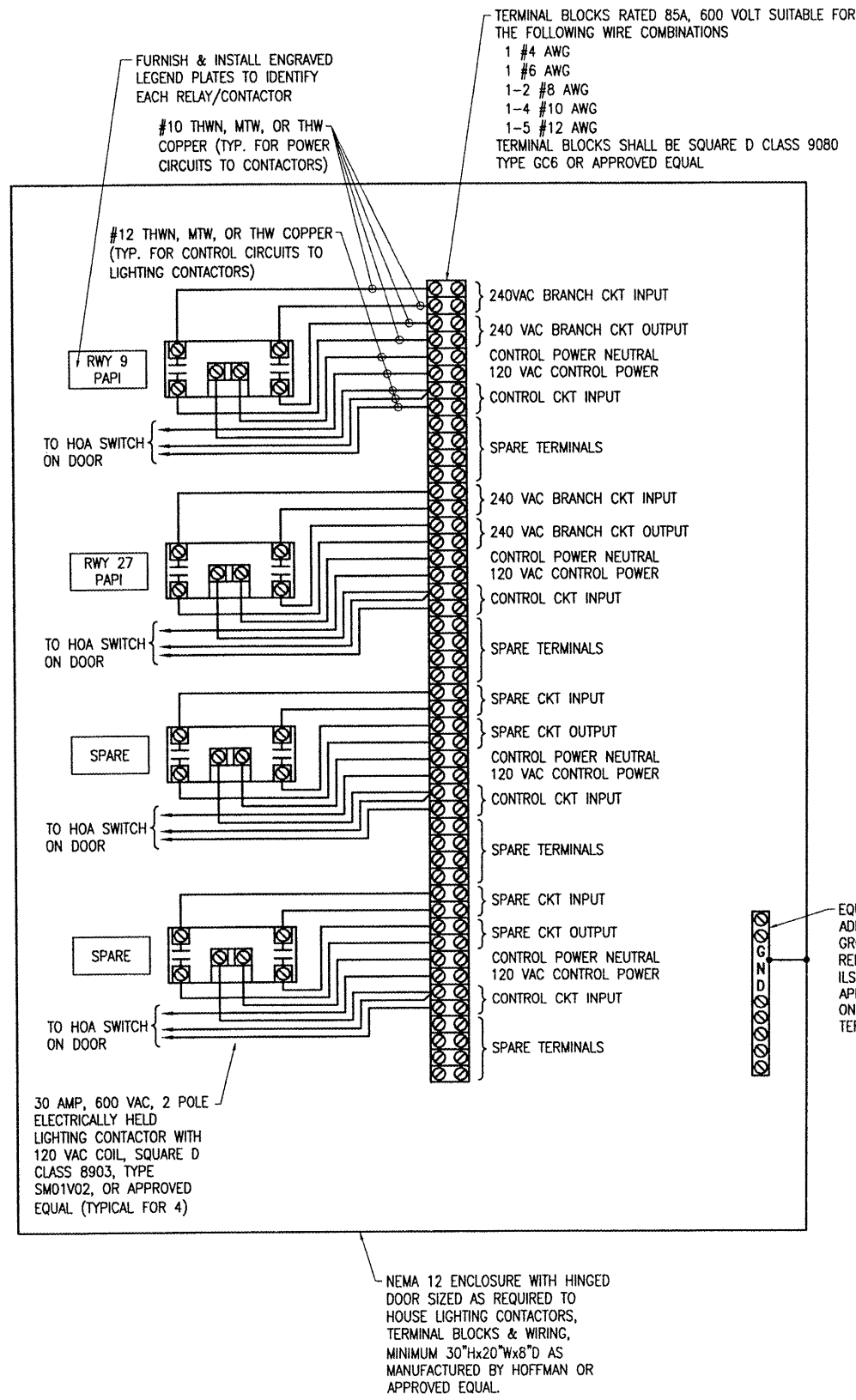
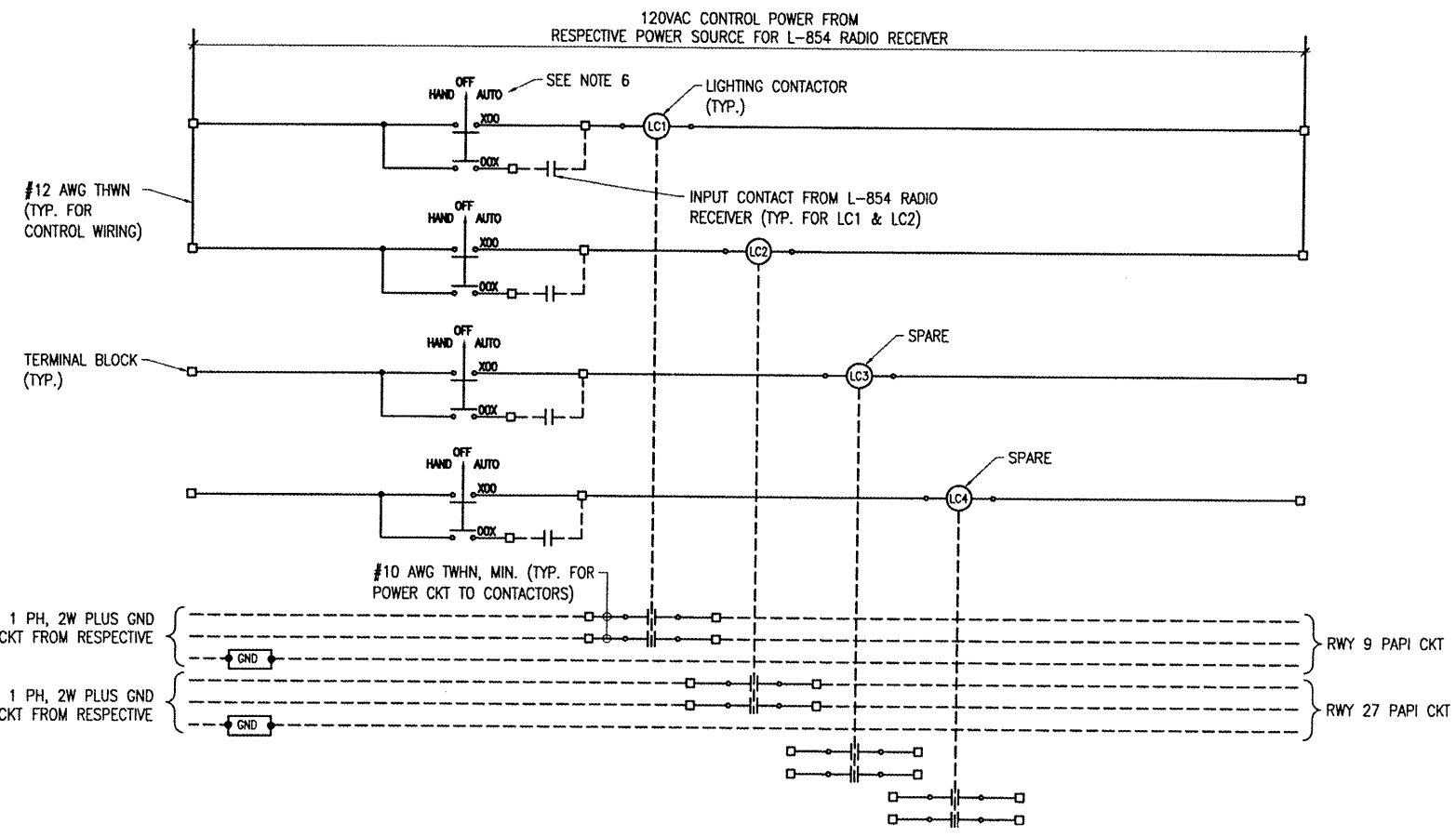


APR 11, 2008 10:34 AM HAGL000382  
 \\airports\litchfield\814-06RWY\AIRPORT\ SHEETS\E-602.DWG - Layout1



- NOTES**
- 15 AMP & 20 AMP INPUT POWER/BRANCH CIRCUITS SHALL BE #10 AWG COPPER THWN FROM THE RESPECTIVE POWER SOURCE TO THE LIGHTING CONTACTOR/RELAY PANEL. 30 AMP INPUT POWER/BRANCH CIRCUITS SHALL BE #8 AWG COPPER THWN (MIN.) FROM THE RESPECTIVE POWER SOURCE TO THE LIGHTING CONTACTOR/RELAY PANEL.
  - INPUT CONTROL CIRCUITS SHALL BE #12 AWG COPPER THWN.
  - PROVIDE #10 AWG COPPER BONDING JUMPER FROM PANEL ENCLOSURE FRAME TO ENCLOSURE DOOR.
  - PROVIDE 3-POSITION MAINTAINED CONTACT "HAND-OFF-AUTO" SELECTOR SWITCH FOR EACH LIGHTING CONTACTOR & MOUNT ON LIGHTING CONTACTOR PANEL ENCLOSURE DOOR. SELECTOR SWITCH SHALL BE SQUARE D CLASS 9001, TYPE KS43FBH13, OR APPROVED EQUAL. INCLUDE LEGEND PLATE TO IDENTIFY THE DEVICE CONTROLLED (EX: "RWY 9 PAPI" OR "RWY 27 PAPI").
  - INSTALL CONTROL PANEL FOR PAPI UNITS ON WALL 12" ABOVE VAULT HEATER. FIELD VERIFY LOCATION WITH ADEQUATE CLEAR WORKING SPACE PER NEC 110.26. INTERFACE CONTROL PANEL TO LOW VOLTAGE WIREWAY WITH 3" GRSC AND JUNCTION BOXES.

EQUIPMENT GROUND BAR ADEQUATELY SIZED FOR ALL GROUND WIRES TO AND FROM RELAY CONTACTOR PANEL ILSCO CAT. NO. D167-14 OR APPROVED EQUAL. INSTALL ONE GROUND WIRE PER TERMINAL



CONTROL PANEL FOR PAPI UNITS

SCHEMATIC

BY	
REVISION	
DATE	
<b>LITCHFIELD MUNICIPAL AIRPORT LITCHFIELD, ILLINOIS</b>	
A.I.P. PROJ.: 3-F-0063-B13	
IL Project No. 814-06RWYD_0800	01/22/08
Filename E-602.DWG	01/22/08
Scale NONE	01/29/08
Date 01/29/08	
LAYOUT KNL	01/29/08
DRAWN MV	01/22/08
REVIEWED CAH	01/29/08
<b>HANSON</b> Hanson Professional Services Inc. 1525 South Sixth Street Springfield, Illinois 62703-2886 Offices Nationwide	
<b>PROPOSED P.F.C. ON RUNWAY 9-27</b>	
<b>LIGHTING CONTACTOR PANEL DETAIL</b>	
<b>18</b>	
18 of 23 sheets	