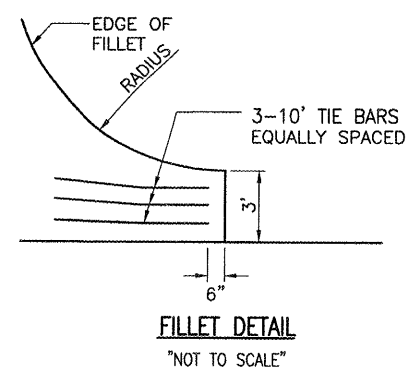
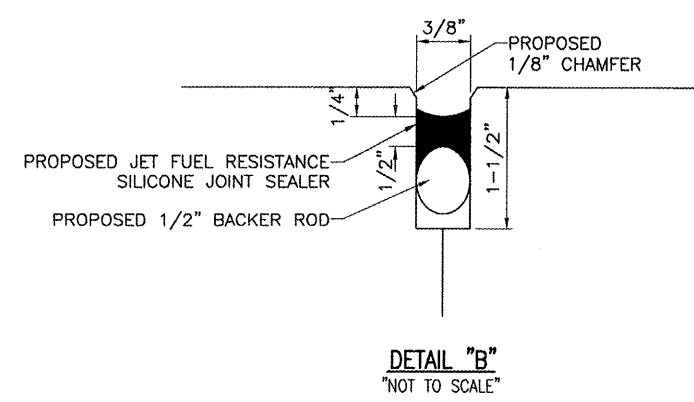
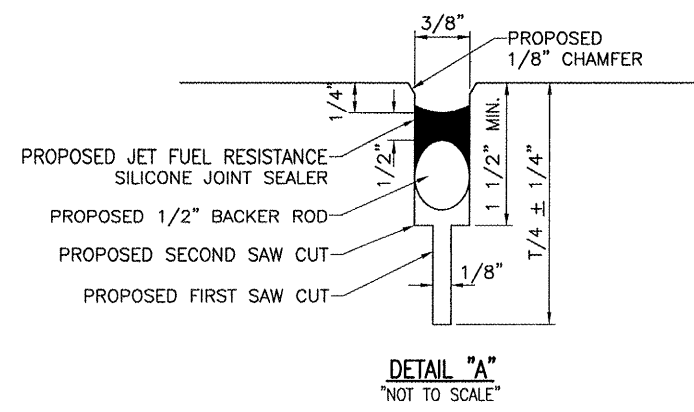
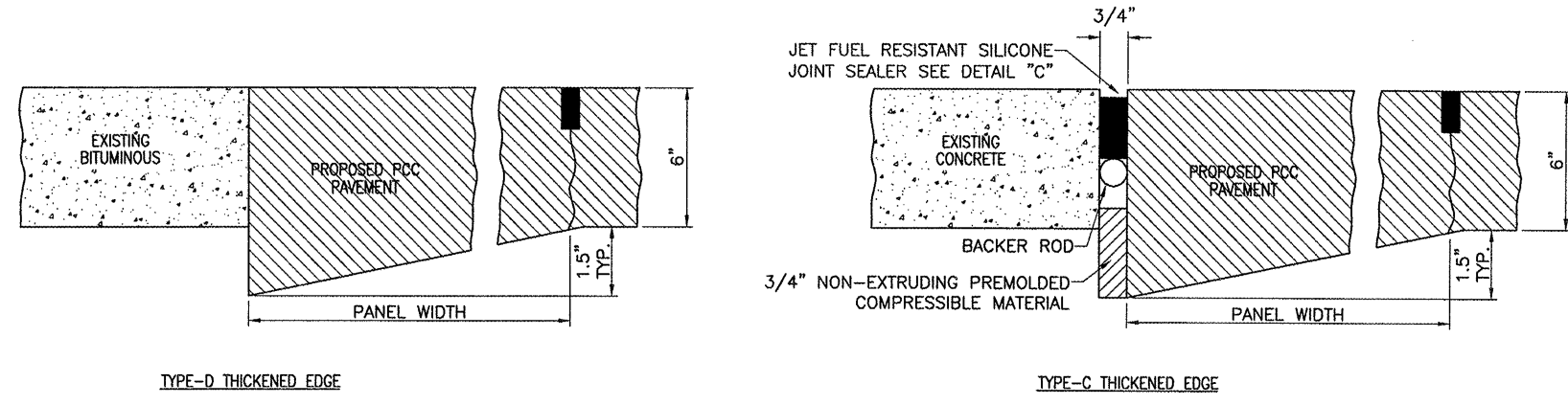
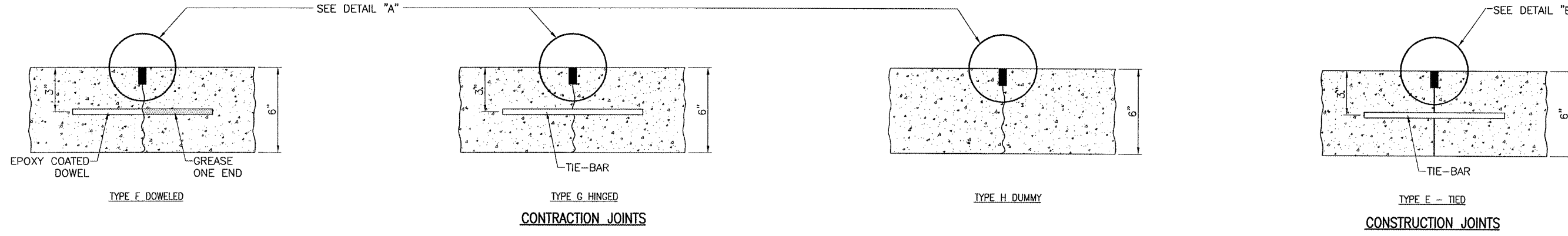


MB026



DATE	REVISION	BY

MACOMB MUNICIPAL AIRPORT
MACOMB, ILLINOIS

IL PROJ.: MOB-3798 A.I.P. PROJ.: 3-17-0064-B16

HEL Project No. 08A0004D.0800	RAW	03/11/08
Filename R-561.JNT.DWG	BAK	03/11/08
Scale NOT TO SCALE	CAH	04/24/08
Date 03/11/08		



CONSTRUCT RAMP EXPANSION

PROPOSED JOINTING DETAILS