


BY	
REVISION	
DATE	

MACOMB MUNICIPAL AIRPORT
MACOMB, ILLINOIS

A.I.P. PROJ.: 3-17-0064-B16
ILL. PROJ.: MOB-3798

HEI Project No.	08A0004D.0800
Element	R-541ELE.DWG
Scale	NONE
Date	04-11-08
LAYOUT	KNL 01/24/08
DRAWN	MV 01/24/08
REVIEWED	RAW 04/11/08

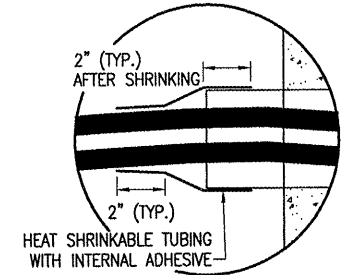


Hanson Professional Services Inc.
1525 South Sixth Street
Springfield, Illinois 62703-2886
Offices Nationwide

CONSTRUCT
RAMP EXPANSION

PROPOSED
ELECTRICAL DETAILS

SHEET 1



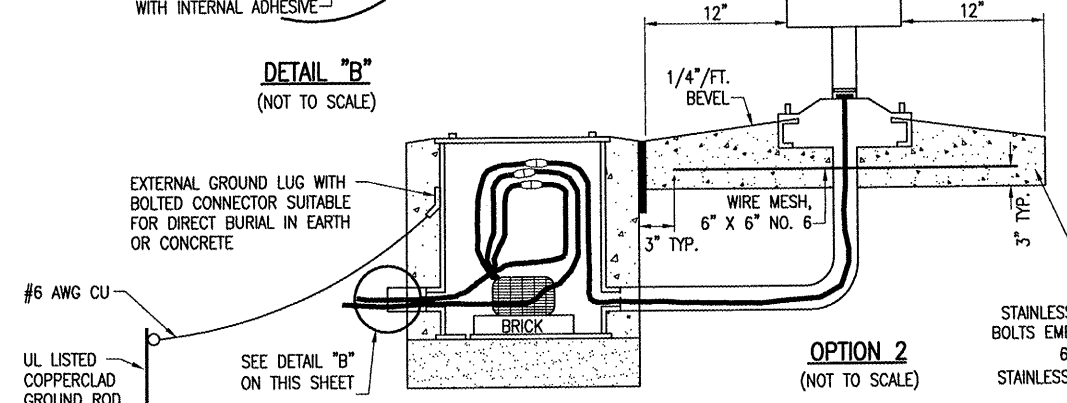
DETAIL "B"
(NOT TO SCALE)

L-858 SIGN

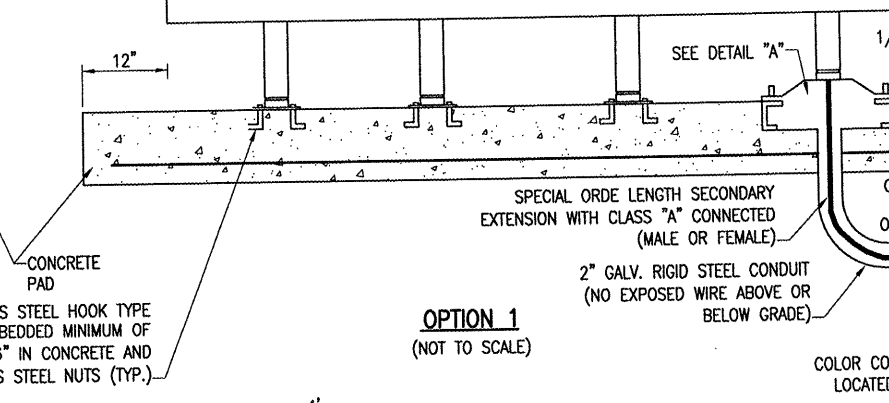
NOTES:
SEE LIGHTING LAYOUT SHEET(S) FOR
SIGN LEGEND, LOCATION, TYPE, SIZE,
STYLE, AND CLASS.

NUMBER AND SPACING OF LEGS AS
PER MANUFACTURER'S REQUIREMENTS.

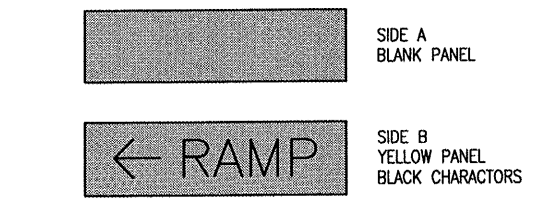
THE LOCATION OF UNDERGROUND UTILITIES AS INDICATED ON THE PLANS
HAS BEEN OBTAINED FROM EXISTING RECORDS. NEITHER THE OWNER
NOR THE ENGINEER ASSUMES ANY RESPONSIBILITY WHATSOEVER, IN
RESPECT TO THE ACCURACY OR SUFFICIENCY OF THE INFORMATION AND
THERE IS NO GUARANTEE, EITHER EXPRESSED OR IMPLIED, THAT THE
CONDITIONS ARE REPRESENTATIVE OF THOSE TO BE ENCOUNTERED IN
THE CONSTRUCTION.



OPTION 2
(NOT TO SCALE)

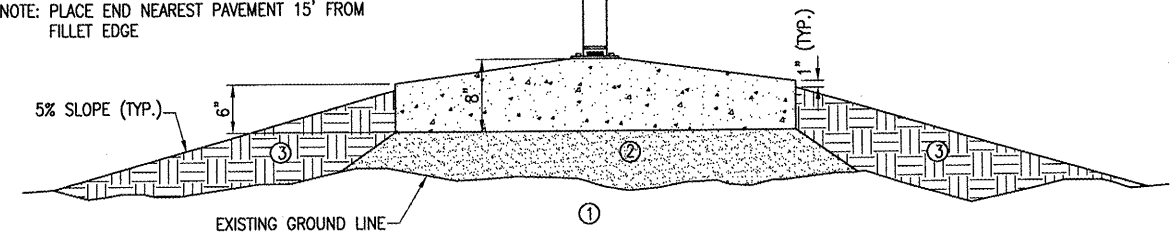


OPTION 1
(NOT TO SCALE)



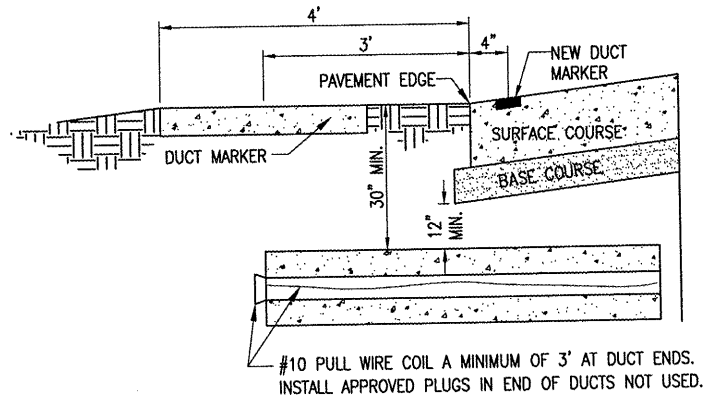
TAXI GUIDANCE SIGN PANEL DETAIL

NOTE: PLACE END NEAREST PAVEMENT 15' FROM
FILLET EDGE

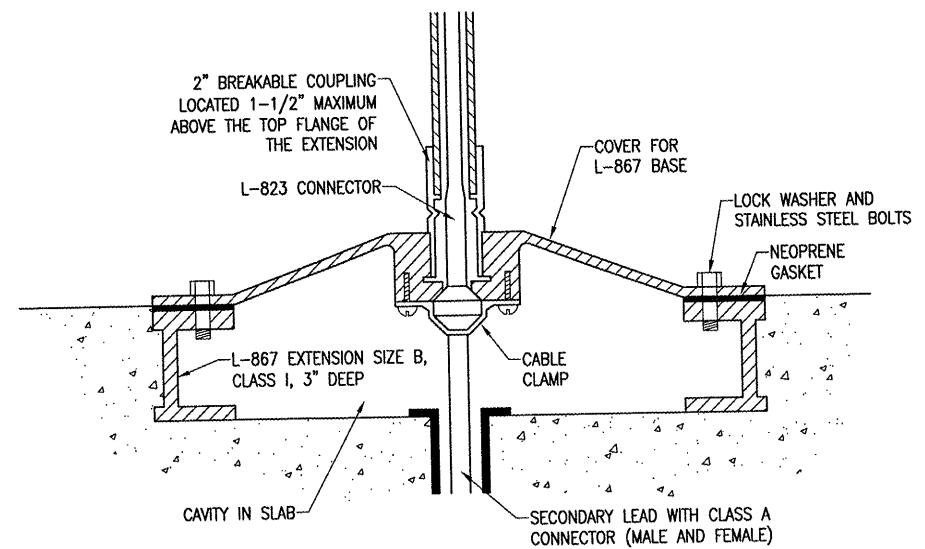


SIGN DETAIL
(NOT TO SCALE)

- ① EXISTING SOD TO BE STRIPPED AND REMOVED
- ② SAND BACKFILL, VARIABLE DEPTH
- ③ PROPOSED TOPSOIL BACKFILL MATERIAL



UNDERGROUND ELECTRICAL DUCT
(NOT TO SCALE)



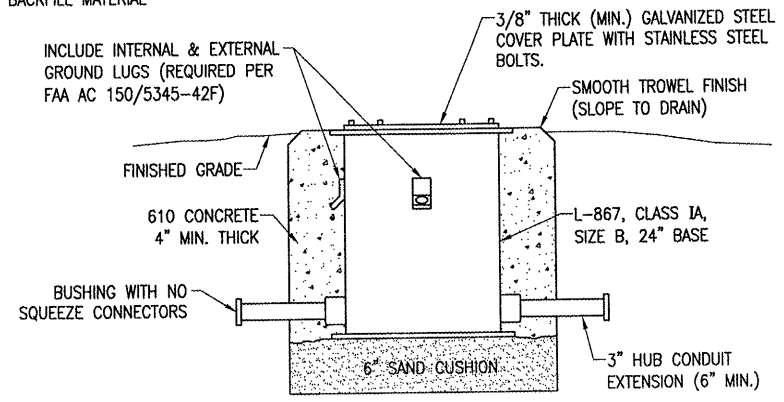
DETAIL "A"
(NOT TO SCALE)

GENERAL NOTES

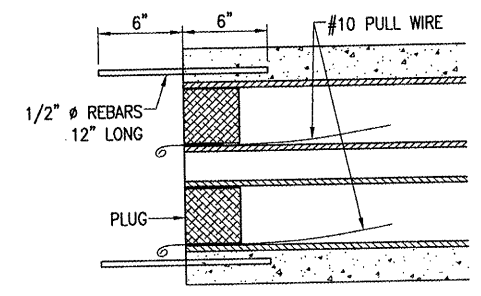
SEE LIGHTING LAYOUT SHEET FOR SIGN LEGEND, LOCATION,
TYPE, SIZE, STYLE, AND CLASS.

SEE SHEETS 19 THROUGH 21 FOR ELECTRICAL NOTES.

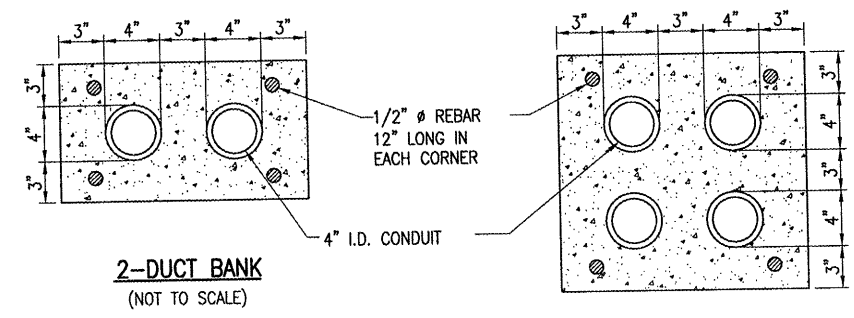
PER FAA AC 150/5340-30C DESIGN AND INSTALLATION DETAILS
FOR AIRPORT VISUAL AIDS, A SAFETY GROUND MUST BE INSTALLED
AT EACH LIGHT FIXTURE. A SAFETY GROUND SHALL BE INSTALLED
AT EACH STAKE MOUNTED LIGHT AND EACH TRANSFORMER
BASE/LIGHT CAN ASSOCIATED WITH RUNWAY LIGHTS, TAXIWAY
LIGHTS, AND LIGHTED TAXI GUIDANCE SIGNS. THE SAFETY GROUND
SHALL BE A #6 AWG BARE COPPER CONDUCTOR CONNECTED TO
THE GROUND LUG ON THE RESPECTIVE L-867 TRANSFORMER
BASE/LIGHT CAN OR MOUNTING STAKE AND A 3/8-INCH DIAMETER
BY 8-FOOT LONG (MINIMUM) UL LISTED COPPER CLAD GROUND
ROD.



TRANSFORMER BASE/SPLICE CAN DETAIL
(NOT TO SCALE)



TYPICAL SECTION
(NOT TO SCALE)



2-DUCT BANK
(NOT TO SCALE)

4-DUCT BANK
(NOT TO SCALE)

APR 25, 2008 10:28 AM WALLE0723
I:\AIRPORTS\MACOMB\08A0004D\DESIGN\CADD\SHEETS\R-541ELE.DWG - Work