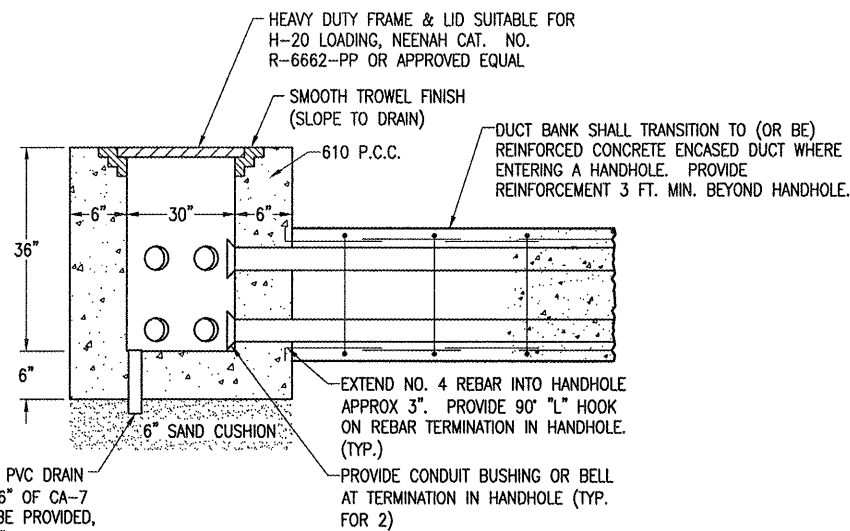


- NOTES:
- ALL DIMENSIONS ARE MINIMUM.
  - INCLUDE DUCT SPACERS AS MANUFACTURED BY UNDERGROUND DEVICES INC., TO MAINTAIN PROPER SEPARATION OF CONDUITS.

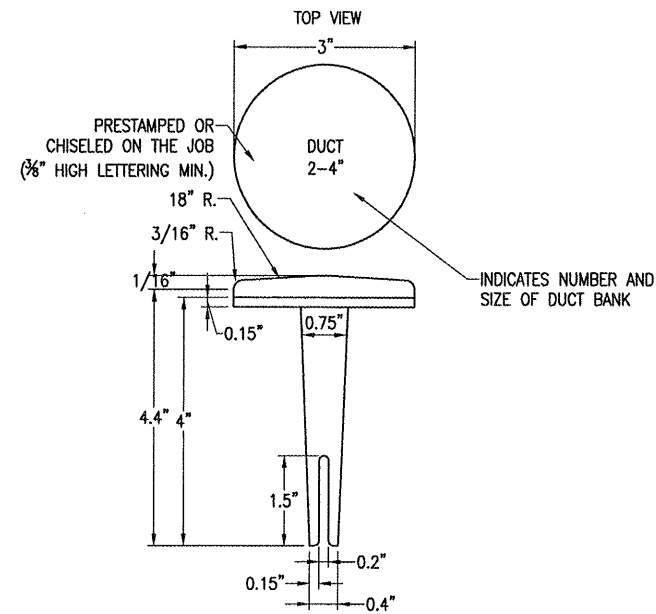
**CONCRETE ENCASED DUCT DETAIL**  
(2-WAY & 4-WAY SHOWN)



- NOTE:
- LIDS FOR LOW VOLTAGE HANDHOLES SHALL BE LABELED "LOW VOLTAGE". LIDS FOR HIGH VOLTAGE HANDHOLES SHALL BE LABELED "HIGH VOLTAGE". COORDINATE LETTERING WITH MFR.
  - HANDHOLE MAY BE CAST IN PLACE OR PRECAST.
  - SEE SPECIAL PROVISIONS.

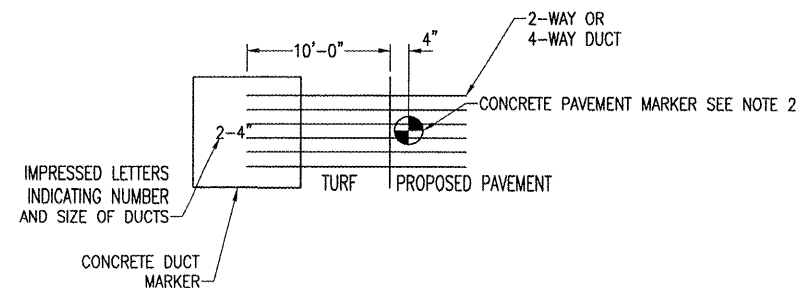
THE LOCATION, SIZE AND TYPE OF MATERIAL OF EXISTING UNDERGROUND UTILITIES INDICATED ON THE PLANS IS NOT REPRESENTED AS BEING ACCURATE, SUFFICIENT OR COMPLETE. IT SHALL BE THE CONTRACTOR'S RESPONSIBILITY TO DETERMINE THE ACTUAL LOCATION OF ALL SUCH FACILITIES, INCLUDING SERVICE CONNECTIONS TO UNDERGROUND UTILITIES. PRIOR TO CONSTRUCTION, THE CONTRACTOR SHALL NOTIFY THE UTILITY COMPANIES OF HIS OPERATIONAL PLANS AND SHALL OBTAIN FROM THE RESPECTIVE UTILITY COMPANIES DETAILED INFORMATION AND ASSISTANCE RELATIVE TO THE LOCATION OF THEIR FACILITIES AND THE WORKING SCHEDULE OF THE COMPANIES FOR REMOVAL OR ADJUSTMENT WHERE REQUIRED. IN THE EVENT AN UNEXPECTED UTILITY INTERFERENCE IS ENCOUNTERED DURING CONSTRUCTION, THE CONTRACTOR SHALL IMMEDIATELY NOTIFY THE UTILITY COMPANY OF JURISDICTION. THE ENGINEER SHALL ALSO BE IMMEDIATELY NOTIFIED. ANY SUCH MAINS AND SERVICES SHALL BE RESTORED TO SERVICE AT ONCE AND PAID FOR BY THE CONTRACTOR AT NO ADDITIONAL COST TO THE CONTRACT.

CALL J.U.L.I.E. FOR UTILITY INFORMATION AT 1-800-892-0123.

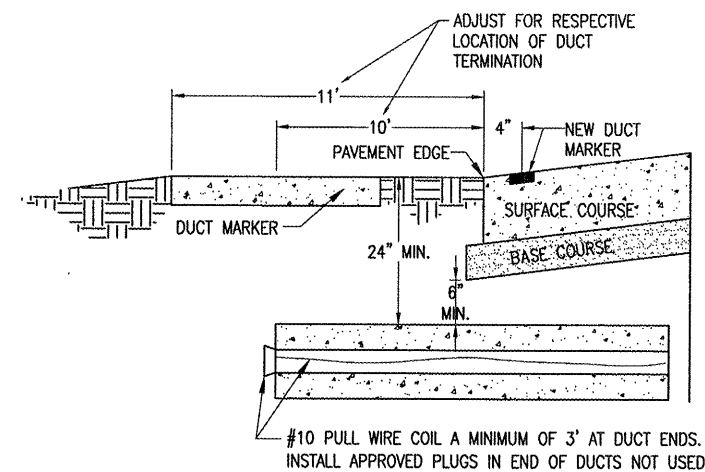


**BITUMINOUS PAVEMENT DUCT MARKERS**  
"NOT TO SCALE"

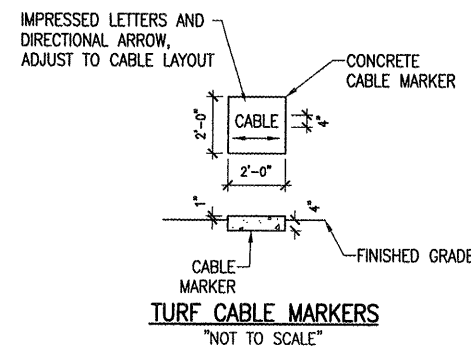
NOTE:  
TOP OF MARKER SHALL BE FLUSH WITH FINISHED PAVEMENT SURFACE. MARKER MAY BE INSTALLED IN A DRILLED HOLE AND SECURED WITH EPOXY GLUE.



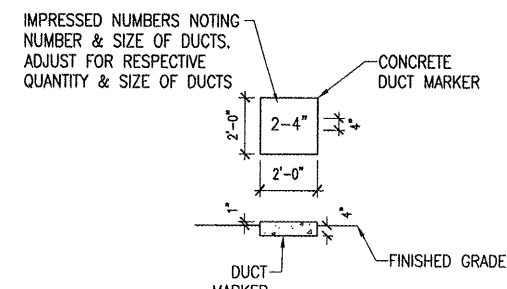
**DUCT MARKER DETAIL**  
"NOT TO SCALE"



**UNDERGROUND ELECTRICAL DUCT**  
"NOT TO SCALE"



**TURF CABLE MARKERS**  
"NOT TO SCALE"



**TURF DUCT MARKERS**  
"NOT TO SCALE"

NOTES:

- THE COST OF ALL TURF AND PAVEMENT DUCT MARKERS SHALL BE INCIDENTAL TO THE DUCT. THE COST OF ALL CABLE MARKERS SHALL BE INCIDENTAL TO THE CABLE.
- BITUMINOUS PAVEMENT DUCT MARKER AND CONCRETE DUCT MARKER TO BE PROVIDED AT EACH END OF EACH DUCT AS SHOWN ON THE LOCATION PLAN. FOR CONCRETE PAVEMENT, THE LETTER "D" SHALL BE IMPRESSED IN THE PAVEMENT INSTEAD OF THE MARKER. THE LETTER SHALL BE INFORMED AS DESCRIBED IN NOTE 4.
- CABLE MARKERS SHALL BE PLACED AT CHANGES OF DIRECTION AND APPROXIMATELY EVERY 200' ALONG CABLE RUNS.
- CONCRETE CABLE MARKERS AND DUCT MARKERS SHALL HAVE LETTERS 4" HIGH, 3" WIDE WITH WIDTH OF STROKE 1/2" AND 1/4" DEEP. ALL LETTERS, NUMBERS AND ARROWS TO BE IMPRESSED.

DATE	REVISION	BY

**MACOMB MUNICIPAL AIRPORT  
MACOMB, ILLINOIS**

IL PROJ.: MGB-3798 A.I.P. PROJ.: 3-17-0064-B16

Project No.	08A0004D_0800
Filename	E-501.DWG
Scale	NONE
Date	04-11-08
LAYOUT	01/24/08
DRAWN	MW
REVIEWED	RAW
	04/11/08



Hanson Professional Services Inc.  
1005 West 11th Street  
Springfield, Illinois 62708-2886  
Offices Nationwide

**CONSTRUCT  
RAMP EXPANSION**

**PROPOSED  
ELECTRICAL DETAILS  
SHEET 3**