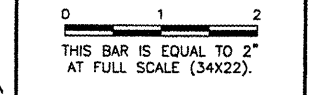


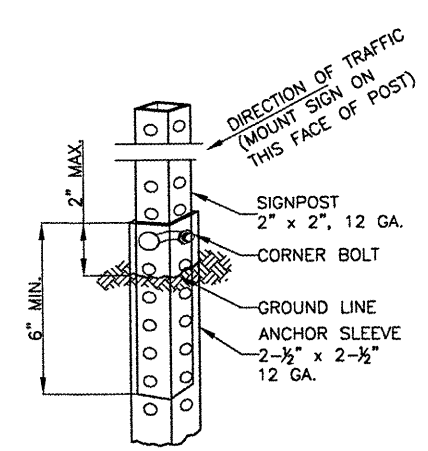
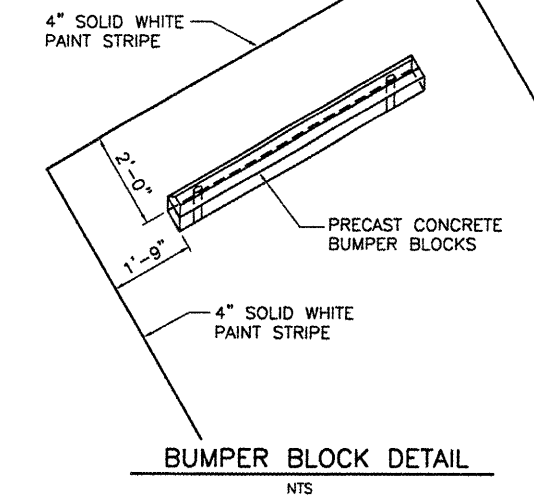
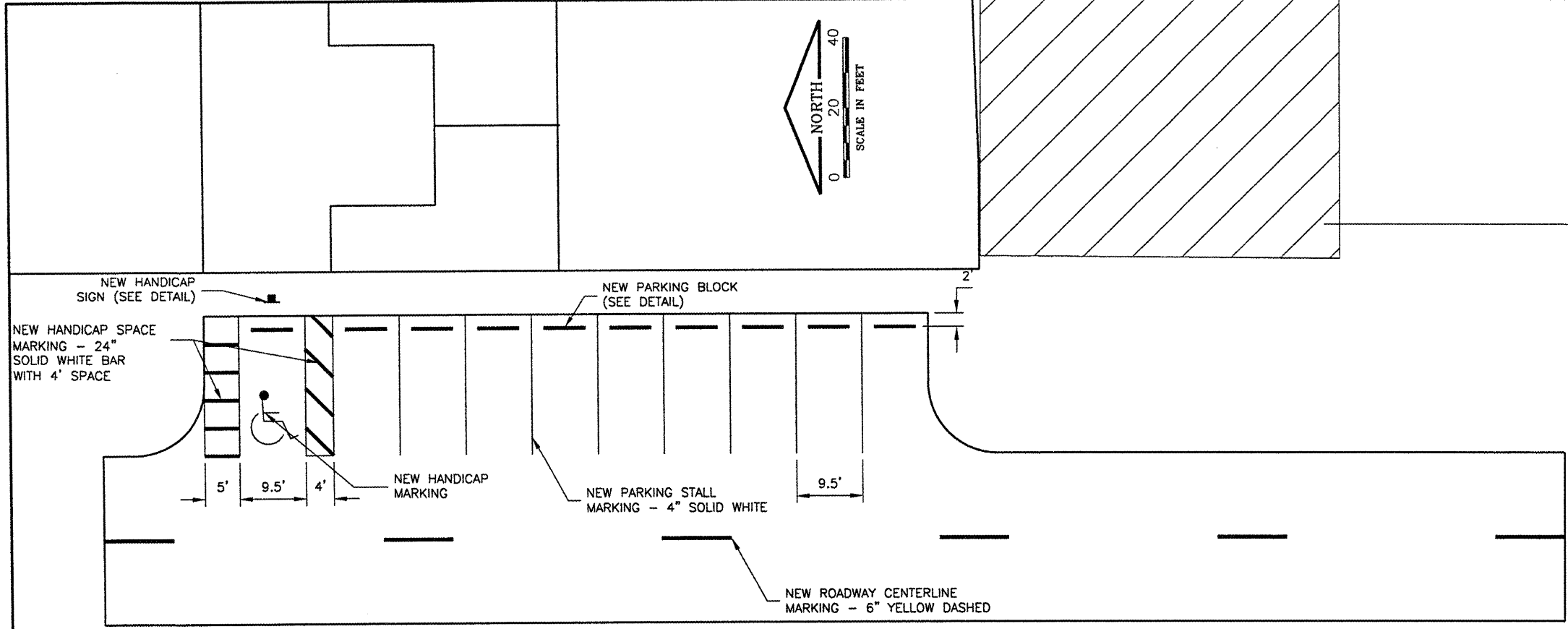
REVISIONS		
NUMBER	BY	DATE



PINCKNEYVILLE-DUQUOIN AIRPORT
PERRY COUNTY, ILLINOIS
T-HANGAR SITE WORK MARKING PLAN & DETAILS

© Copyright CMT, Inc.
CMT
 CRAWFORD, MURPHY & TILLY, INC.
 CONSULTING ENGINEERS
 License No. 984-00053

DESIGN BY:	KLB
DRAWN BY:	CMT
CHECKED BY:	JEF
APPROVED BY:	JEF
DATE:	04/18/2008
JOB No:	07062-03-00
IL PROJECT NO. PJY-3373	
A.I.P. PROJECT NO. 3-17-0037-86	
SHEET 11 OF 17 SHEETS	



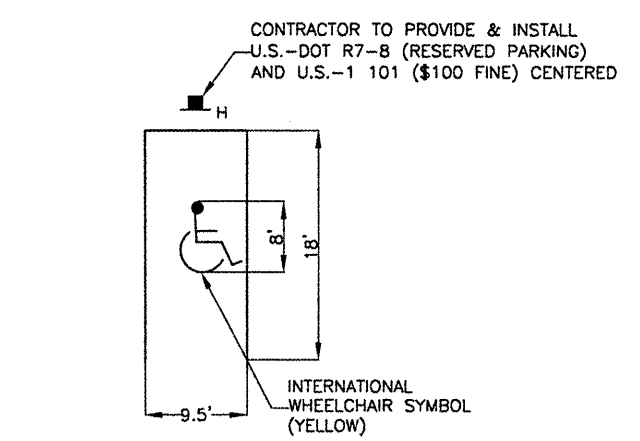
THE SIGNPOST IS ATTACHED TO THE ANCHOR SLEEVE WITH THE CORNER BOLT PER MANUFACTURER'S SPECIFICATION.

POST TYPE
N.T.S.

SIGN AREA (SQ.FT.)	PERFORATED SQUARE STEEL TUBE POST DETAIL			
	U-CHANNEL	WOOD	PERFORATED SQUARE STEEL TUBING	
* 10	1 - 3.0 LB./FT.*	1 - 4" X 4"*	1 - 2" 12 GA.*	
* 10 * 16	2 - 3.0 LB./FT.	2 - 4" X 4"*	1 - 4" X 6"*	2 - 2" 12 GA.
* 16 * 24	2 - 3.0 LB./FT.	2 - 4" X 6"	3 - 2" 12 GA.*	
* 24 * 30	3 - 3.0 LB./FT.	2 - 4" X 6"	N/A	
* 30 * 50	N/A	2 - 6" X 6"	N/A	

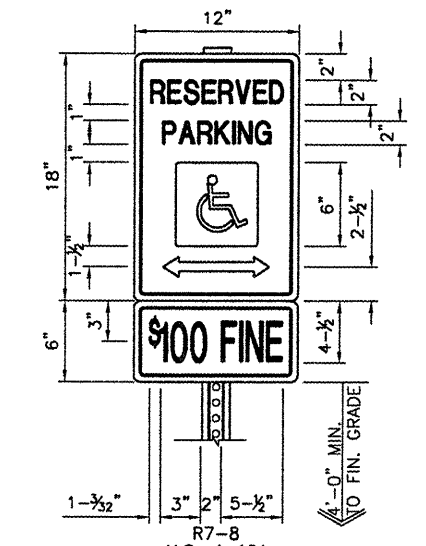
* SIGNS GREATER THAN 4 FEET IN WIDTH, EXCEPT DIAMOND SHAPE SIGNS, REQUIRE TWO POSTS.
 ** REQUIRES SLIP BASE PER MANUFACTURER'S RECOMMENDATION.
 ALL POSTS SHALL BE IMBEDDED A MINIMUM OF 3 FEET.

POST SIZE REQUIREMENTS
N.T.S.

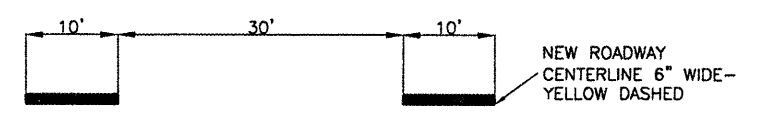


HANDICAP PARKING SPACE
N.T.S.

NOTE:
1. ALL MARKING SHALL CONSIST OF 4" WIDE YELLOW STRIPES.



HANDICAP SIGN DETAIL
N.T.S.



ROADWAY CENTERLINE - DASHED
N.T.S.