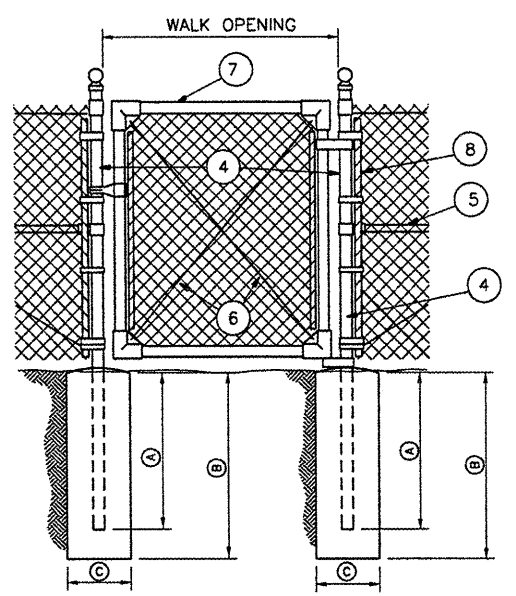


FENCE DETAIL  
 N.T.S.

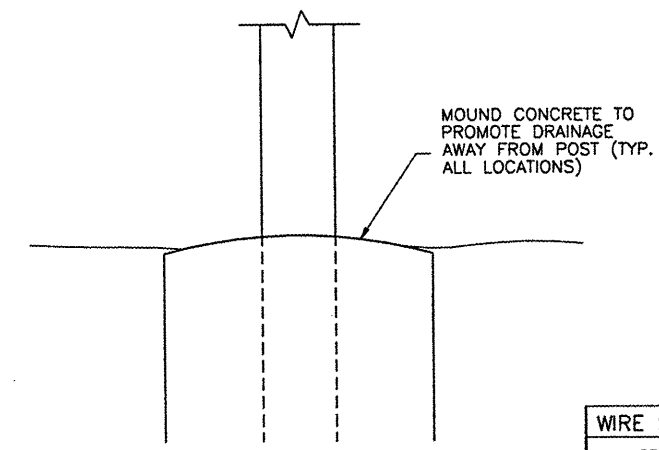
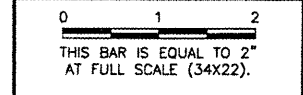


PEDESTRIAN GATE DETAIL  
 N.T.S.

- LEGEND**
- ① FABRIC
  - ② END, CORNER OR PULL POST
  - ③ LINE POST
  - ④ GATE POST
  - ⑤ BRACE
  - ⑥ TRUSS ROD
  - ⑦ GATE FRAME
  - ⑧ STRETCHER BAR 1/4" X 3/4" PLATE
  - ⑨ STRETCHER BAR BAND
  - ⑩ END OR CORNER CLAMP
  - ⑪ POST TOPS (OTHER THAN LINE POSTS)
  - ⑫ FABRIC TIES
  - ⑬ LINE POST TOPS
  - ⑭ ONE-HALF FABRIC HEIGHT OR AS RECOMMENDED BY MANUFACTURER

**REVISIONS**

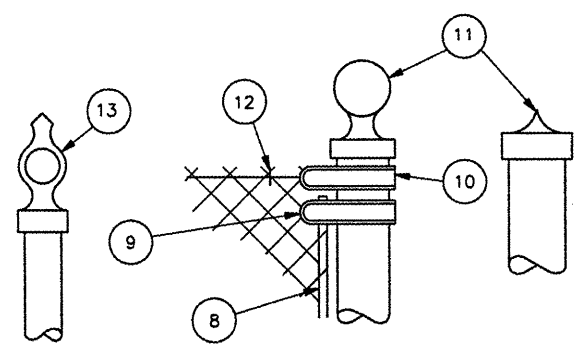
NUMBER	BY	DATE



CONCRETE DETAIL  
 N.T.S.

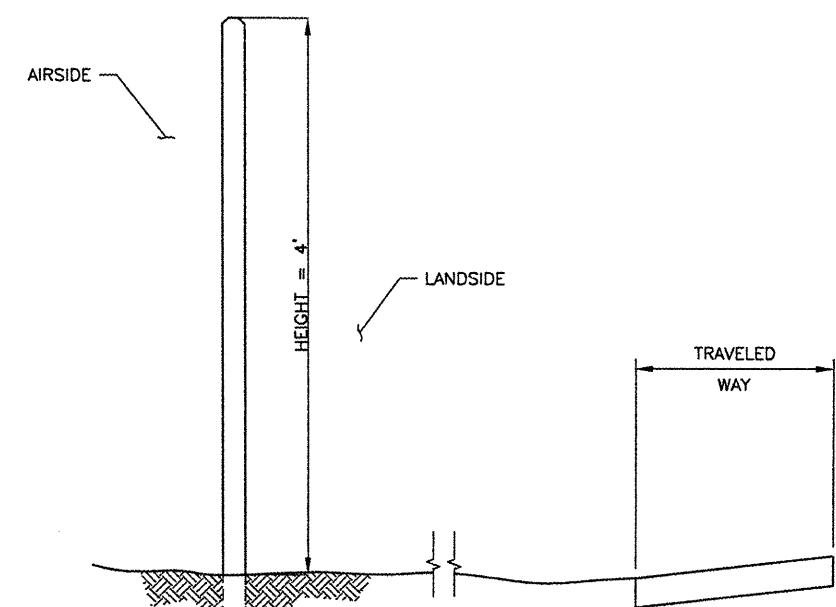
**WIRE SIZE AND HEIGHT OF FABRIC**

INCHES	SPECIFIED DIAMETER		HEIGHT OF FABRIC INCHES
	GAGE	MESH INCHES	
0.120	11	2	36, 42
0.148	9	2	48, 60
0.192	6	2	72, 84



POST TOPS TO BE PRESSURE FITTED OR SCREWED. POST TOPS MAY BE ELIMINATED FOR ALL POSTS EXCEPT PIPE POSTS. IF POST TOPS ARE ELIMINATED, POST LENGTH SHALL BE INCREASED 3".

POST TOPS  
 N.T.S.



BARBED WIRE EXTENSION BRACKET  
 N.T.S.

**FENCE NOTES**

- WEIGHTS OF MATERIALS SHOWN IN TABLE ARE FOR ASTM F 1043, GROUP 1A. SIZES SHOWN ARE FOR STEEL AND ALUMINUM. EQUIVALENT ASTM F 1043 ALTERNATIVES MAY BE USED.
- PULL POSTS SHALL BE USED AT SHARP BREAKS IN VERTICAL GRADE OR AT APPROXIMATE 500' CENTERS ON STRAIGHT RUNS OR AS DIRECTED BY THE ENGINEER.
- DRILLED HOLES C IN SOLID ROCK SHALL PROVIDE A DIAMETER OF NOT LESS THAN 2" GREATER THAN THE MAXIMUM TRANSVERSE DIMENSION OF THE POST SECTION.
- ALL POSTS SHOWN HAVE PROVISIONS TO SECURELY HOLD THE TOP TENSION WIRE IN POSITION AND ALLOW FOR REMOVAL AND REPLACEMENT OF A POST WITHOUT DAMAGING THE TOP TENSION WIRE.

**GENERAL NOTE**

LOCATIONS, DETAILS AND CHARACTER OF EQUIPMENT SHOWN ON THIS SHEET ARE GENERIC. EQUIPMENT LOCATIONS SHALL BE AS RECOMMENDED BY THE EQUIPMENT MANUFACTURER.

DESCRIPTION		HEIGHT OF FENCE			
		48"	60"	72"	96"
		SIZE (IN.)	SIZE (IN.)	SIZE (IN.)	SIZE (IN.)
② END CORNER & PULLPOST	(A)	30"	36"	36"	42"
	(B)	36"	42"	42"	48"
	(C)	10"	12"	12"	14"
③ LINE POST	(A)	24"	27"	36"	36"
	(B)	30"	36"	42"	42"
	(C)	10"	12"	12"	12"
④ GATE POST	(A)	30"	36"	36"	42"
	(B)	36"	42"	42"	48"
	(C)	10"	12"	12"	14"

	WIDTH	SIZE (IN.)	LBS./FT.
② END CORNER OR PULL POST	N/A	2 1/2" DIA.	5.79
③ LINE POST	N/A	2" DIA.	3.65
	* 6'	2 1/2" DIA.	5.79
	* 13'	3 1/2" DIA.	9.10
	* 18'	6" DIA.	18.97
⑤ BRACE	N/A	1 1/2" DIA.	2.27
	N/A	3/8"	-
⑥ TRUSS ROD	N/A	1 1/2" DIA.	2.72

**PINCKNEYVILLE-DUQUOIN AIRPORT**  
**PERRY COUNTY, ILLINOIS**  
**T-HANGAR SITE WORK**  
**FENCING DETAILS**

© Copyright CMT, Inc.  
**CMT**  
 CRAWFORD, MURPHY & TILLY, INC.  
 CONSULTING ENGINEERS  
 License No. 184-000518

DESIGN BY: TJH  
 DRAWN BY: CMT  
 CHECKED BY: JEF  
 APPROVED BY: JEF  
 DATE: 04/18/2008  
 JOB No: 07062-03-00  
 IL PROJECT NO. PJY-3373  
 A.I.P. PROJECT NO. 3-17-0037-B6  
 SHEET 13 OF 17 SHEETS