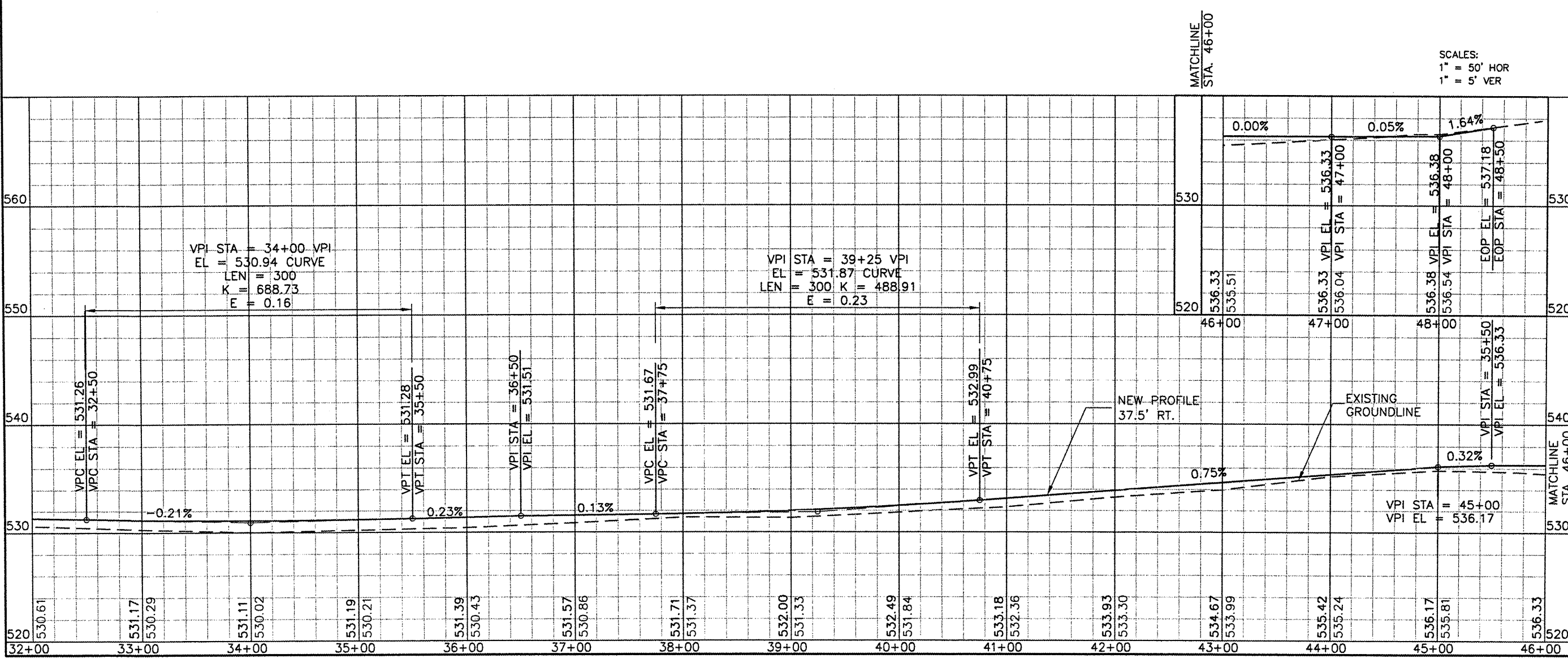
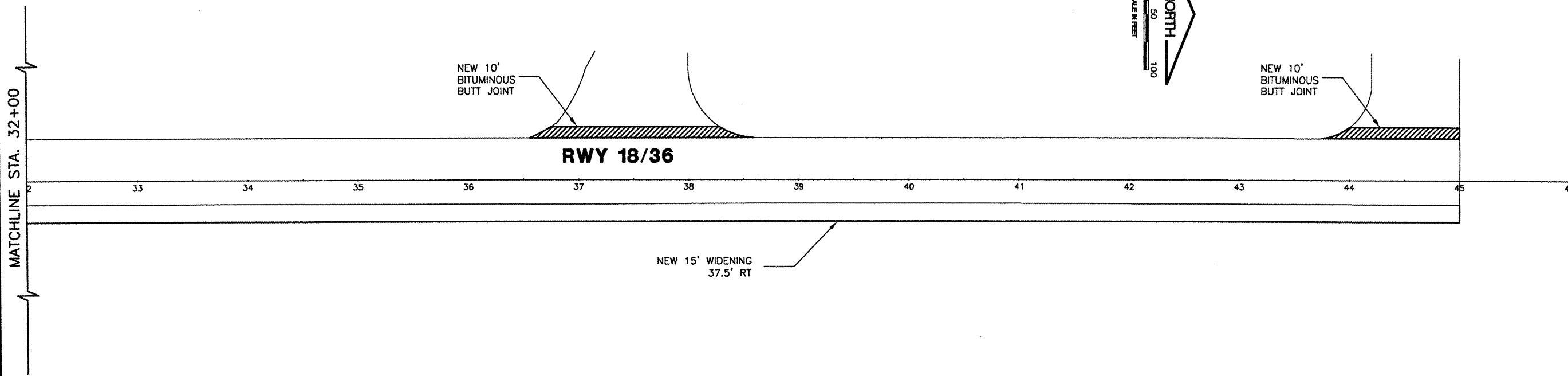


R:\Sparta\0641203 Widen Runway\Draw\EGPT\Plot
 FILE: .RCP03001.dwg
 UPDATE BY: Kristy Brod
 BLUEPRINT OK / #/2008 1:02 PM
 XREF TO DWG:
 BASE_EX: STTOPO
 BASE_PRO: GEO
 BASE_PROSITE

| REVISIONS | | |
|-----------|----|------|
| NUMBER | BY | DATE |
| | | |
| | | |
| | | |

0 1 2
 THIS BAR IS EQUAL TO 2"
 AT FULL SCALE (34X22).



SPARTA COMMUNITY AIRPORT
 HUNTER FIELD
 SPARTA, ILLINOIS

WIDEN AND OVERLAY RUNWAY 18/36
 WIDENING EDGE
 PLAN & PROFILE 3
 STA. 32+00 TO STA. 48+50

CMT
 CRANFORD MURPHY & TILLY, INC.
 CONSULTING ENGINEERS
 License No. BH-000510

| | |
|---------------|-----------------|
| DESIGN BY: | KLB |
| DRAWN BY: | CMT |
| CHECKED BY: | JEF |
| APPROVED BY: | JEF |
| DATE: | 03/21/2008 |
| JOB No: | 0641203 |
| IL PROJ. NO. | SAR-3652 |
| AIP PROJ. NO. | 3-17-0094-89 |
| SHEET | 07 OF 28 SHEETS |