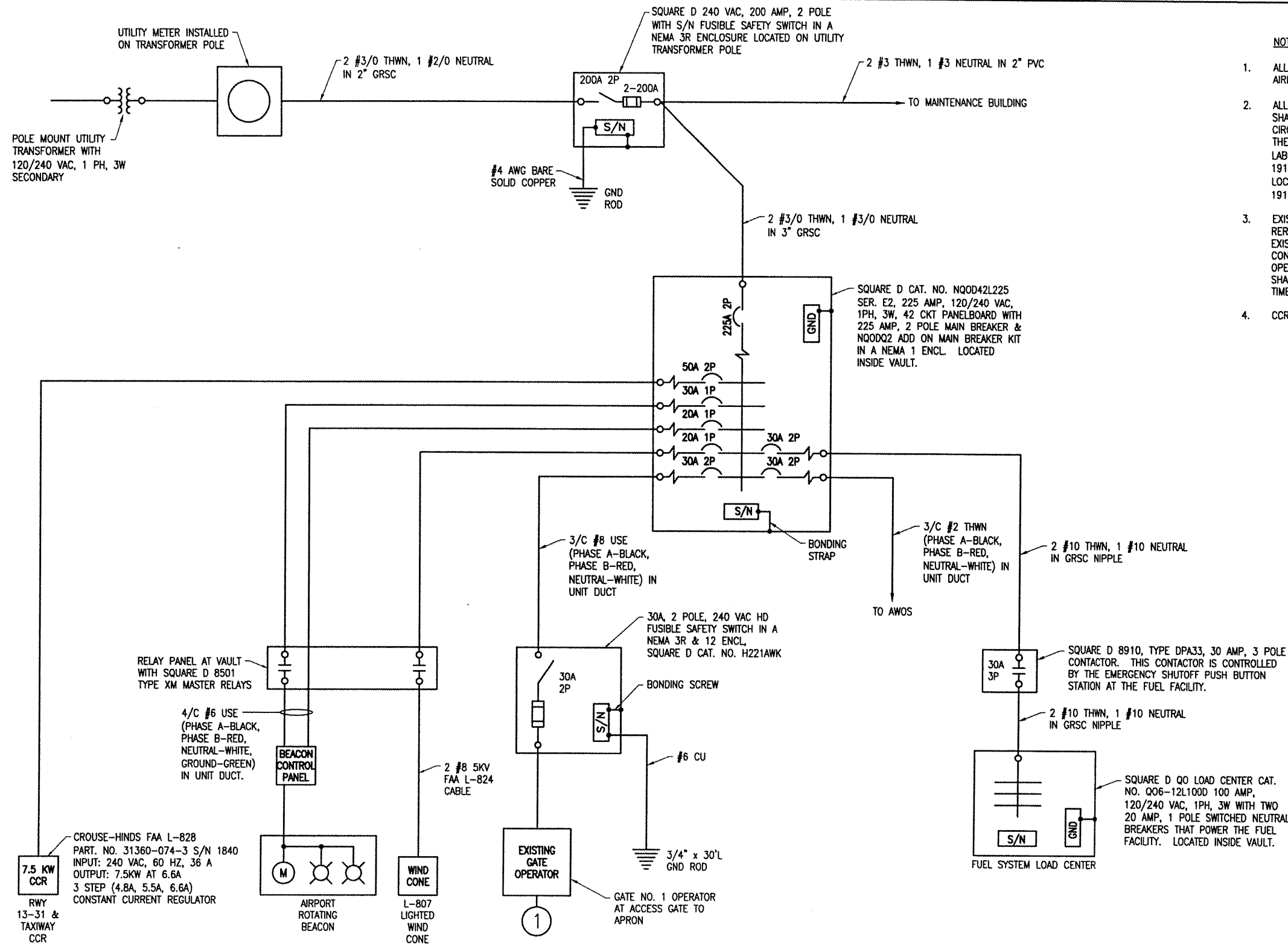


NOTES

1. ALL VAULT WORK AND/OR POWER OUTAGES SHALL BE COORDINATED WITH THE AIRPORT MANAGER.
2. ALL VAULT WORK, POWER OUTAGES, AND/OR SHUT DOWN OF EXISTING SYSTEMS SHALL BE COORDINATED WITH THE AIRPORT MANAGER. ONCE SHUT DOWN, THE CIRCUITS SHALL BE LABELED AS SUCH TO PREVENT ACCIDENTAL ENERGIZING OF THE RESPECTIVE CIRCUITS. ALL PERSONNEL SHALL FOLLOW U.S. DEPARTMENT OF LABOR OCCUPATIONAL SAFETY & HEALTH ADMINISTRATION (OSHA) 29 CFR PART 1910 OCCUPATIONAL SAFETY & HEALTH STANDARDS FOR ELECTRICAL SAFETY AND LOCKOUT/TAGOUT PROCEDURES INCLUDING, BUT NOT LIMITED TO, 29 CFR SECTION 1910.147 THE CONTROL OF HAZARDOUS ENERGY (LOCKOUT/TAGOUT).
3. EXISTING AIRFIELD CIRCUITS SHALL BE LOCATED, IDENTIFIED, DISCONNECTED, REROUTED & RECONNECTED TO THE NEW VAULT AS DETAILED HEREIN. ALL EXISTING AIRFIELD LIGHTING SYSTEMS SHALL BE OPERABLE DURING NIGHTFALL. CONTRACTOR SHALL PROVIDE ALL TEMPORARY WORK AS NECESSARY TO MAINTAIN OPERATION OF THE AIRFIELD LIGHTING SYSTEMS AT NIGHTFALL. CONTRACTOR SHALL COORDINATE TRANSFER OF EXISTING AIRFIELD CIRCUITS TO MINIMIZE DOWN TIME.
4. CCR DENOTES CONSTANT CURRENT REGULATOR.



EXISTING VAULT ELECTRICAL ONE-LINE DIAGRAM

BY	
REVISION	
DATE	
TRI-TOWNSHIP AIRPORT SAVANNA, CARROLL COUNTY ILLINOIS	
A.I.P. PROJ.: 3-17-0091-814	
FILE No. 07A0144D_0800	
FILENAME E-601.DWG	
SHEET NONE	
DATE 05/13/08	
LAYOUT KNL 01/02/08	
DRAWN MW 01/03/08	
REVIEWED CAH 02/08/08	
 HANSON Professional Services Inc. 1525 South Sixth Street Springfield, Illinois 62703-2886 Offices Nationwide	
CONSTRUCT NEW VAULT EXISTING VAULT ELECTRICAL ONE-LINE DIAGRAM	
6 6 of 24 sheets	

MAY 13, 2008 8:27 PM WALLE00723
I:\AIRPORTS\SAVANNA\07A0144\CAD\SHEET\SE-E-601.DWG - Work