

VAULT PANEL SCHEDULE			
CKT #	DUTY	SIZE	CKT #
1	TVSS	60A,2P	2
3			4
5	VAULT FAN	15A,1P	6
7	VAULT INTERIOR LIGHTING	15A,1P	8
9	VAULT EXTERIOR LIGHTING	15A,1P	10
11	VAULT RECEPTACLES	20A,1P	12
13	AWOS	30A,2P	14
15			16
17	GATE OPERATOR	30A,2P	18
19			20
21	AIRPORT ROTATING BEACON	30A,2P	22
23			24
25	WIND CONE	20A,1P	26
27	RADIO CONTROL & PHOTOCCELL	10A,1P	28
29	SPARE	20A,1P	30
31	SPARE	20A,1P	32
33	BLANK		34
35			36
37			38
39			40
41			42

225 AMP, 120/240 VAC, 1PHASE, 3 WIRE, 42 CIRCUIT PANELBOARD WITH 200 AMP, 2 POLE MAIN BREAKER WITH 10,000 AIC AT 240 VAC IN A NEMA 1 ENCLOSURE. INCLUDE SEPERATE GROUND BAR KITS. ALL BRANCH BREAKERS SHALL BE BOLT-ON TYPE WITH 10,000 AIC AT 120/240 VAC. PANELBOARD SHALL BE SQUARE D CAT NO. NQ0D42L225CU WITH NQ0DQB MAIN BREAKER KIT & QBL22200 MAIN BREAKER IN A NEMA 1 ENLCOSURE OR APPROVED EQUAL.

- NOTES**
- PANELBOARD BUS SHALL BE COPPER. NEUTRAL BUS SHALL BE COPPER. EQUIPMENT GROUND BARS SHALL BE COPPER.
 - INCLUDE ENGRAVED PHENOLIC LEGEND PLATE LABELED "VAULT PANEL, 120/240 VAC, 1 PHASE, 3 WIRE".
 - FEEDER BREAKER FOR FUEL SYSTEM LOAD CENTER SHALL BE 30 AMP, 1-POLE WITH SWITCHED NEUTRAL & SHUNT TRIP FEATURE.

FUEL FACILITY LOAD CENTER SCHEDULE			
CKT #	DUTY	SIZE	CKT #
1	FUEL FACILITY EQUIPMENT	20A 1P	4
2		SWN	6
3	FUEL FACILITY EQUIPMENT	20A 1P	8
4		SWN	10
5	BLANK		12
6	BLANK		14

100 AMP, 120/240 VAC, 1 PHASE, 3 WIRE, 6 CIRCUIT LOAD CENTER WITH MAIN LUGS, IN A NEMA 1 ENCLOSURE, SQUARE D CLASS 1130, CAT. NO. Q0612L100DSCU OR APPROVED EQUAL. INCLUDE EQUIPMENT GROUND BAR KIT. BRANCH BREAKERS SHALL HAVE 10,000 AIC RATING AT 120/240 VAC. LOAD CENTER BUS SHALL BE COPPER.

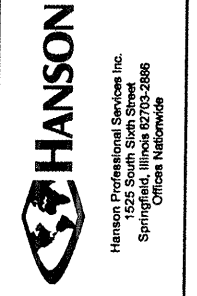
- NOTES**
- SWN INDICATES BRANCH BREAKER WITH SWITCHED NEUTRAL FEATURE.
 - LOAD CENTER SHALL BE CONNECTED FOR 120 VAC, 1 PHASE, 2-WIRE OPERATION. ONE BUS PHASE WILL NOT BE POWERED.
 - PROVIDE LEGEND PLATE FOR LOAD CENTER LABELED "FUEL SYSTEM PANEL, 120 VAC, 1PH, 2W".

BY	
REVISION	
DATE	

TRI-TOWNSHIP AIRPORT
SAVANNA, CARROLL COUNTY
ILLINOIS

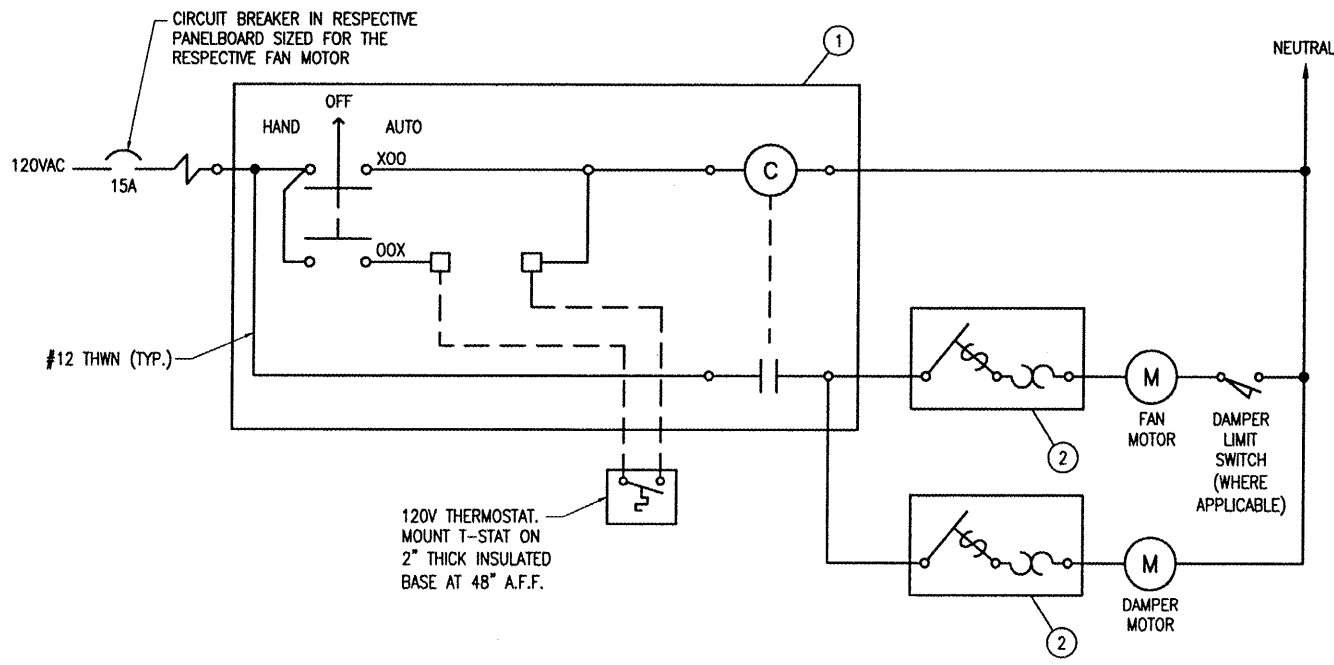
IL PROJ.: SFY-3782 A.I.P. PROJ.: 3-17-0091-B14

HE Project No. 07A0144D_0800	01/02/08
Filename E-606.DWG	01/03/08
Scale NONE	02/08/08
Date 05/13/08	
LAYOUT KNL	
DRAWN MV	
REVIEWED CAH	



CONSTRUCT
NEW VAULT

PANEL SCHEDULE
& DETAILS



EXHAUST FAN CONTROL SCHEMATIC

NOTES FOR FAN CONTROL SCHEMATIC

- GROUND WIRES REQUIRED BUT NOT SHOWN FOR CLARITY.
- ALL WIRING SHALL BE #12 THWN MINIMUM.
- PROVIDE A NEMA 1 ENCLOSURE SIZED AS REQUIRED TO INSTALL THE CONTACTOR, HOA SELECTOR SWITCH & TERMINALS.
- PROVIDE LEGEND PLATE FOR THE CONTACTOR AND FRACTIONAL HP MOTOR STARTER IDENTIFYING THE LOAD SERVED AND THE POWER SOURCE.
- VERIFY MOTOR HORSEPOWERS AND FULL LOAD AMPS WITH THE RESPECTIVE MANUFACTURER. CONTRACTOR SHALL COORDINATE MOTOR CIRCUIT BREAKER, CONTACTOR, FRACTIONAL HP STARTER, OVERLOADS, WIRE SIZES, CONDUIT SIZES, ETC. FOR THE RESPECTIVE EQUIPMENT FURNISHED, PER NEC & MANUFACTURER'S RECOMMENDATIONS. COORDINATE FAN & LOUVER INSTALLATION WITH BUILDING MFR.
- INTAKE LOUVERS SHALL OPEN AND EXHAUST FAN SHALL OPERATE WHEN SPACE TEMP EXCEEDS 85°F (ADJUSTABLE). EXHAUST FAN SHALL OPERATE ONLY WHEN DAMPER HAS PROVED "OPEN". IN MANUAL MODE DAMPER SHALL REMAIN OPEN AND FAN SHALL RUN CONTINUOUSLY.

LEGEND

- 120VAC, NEMA SIZE 0 (MINIMUM), 1 POLE, FULL VOLTAGE CONTACTOR IN A NEMA 1 ENCLOSURE, SQUARE D CLASS 8502, TYPE SBC5V02 OR APPROVED EQUAL. INCLUDE H-O-A SELECTOR SWITCH WITH CONTACTOR.
- FRACTIONAL HORSEPOWER MOTOR MANUAL STARTER, SQUARE D MANUAL STARTER WITH HANDLE/GUARD/LOCK OFF, IN NEMA 1 ENCLOSURE CLASS 2510, TYPE FG5 OR APPROVED EQUAL. INCLUDE MELTING ALLOY TYPE THERMAL OVERLOADS SIZED AS REQUIRED TO PROTECT THE RESPECTIVE MOTOR. 120VAC MOTORS SHALL HAVE SINGLE POLE STARTERS.