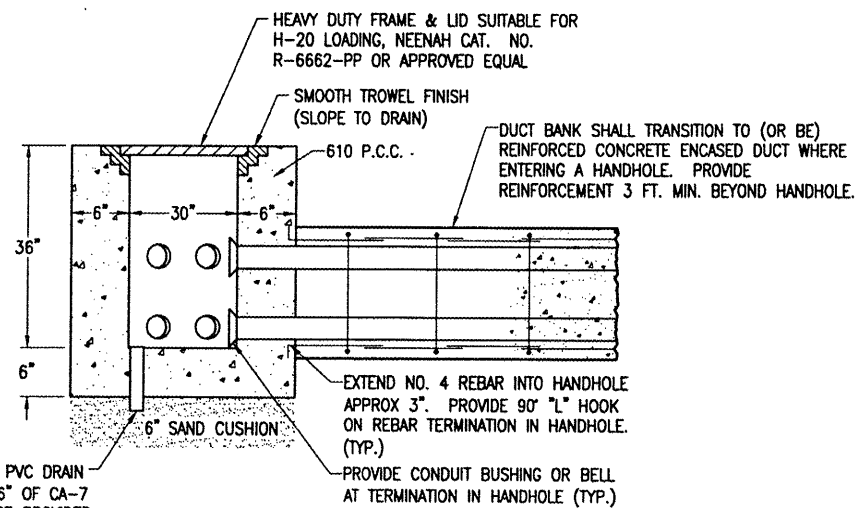


**NOTES:**

1. ALL DIMENSIONS ARE MINIMUM.
2. INCLUDE DUCT SPACERS AS MANUFACTURED BY UNDERGROUND DEVICES INC., TO MAINTAIN PROPER SEPARATION OF CONDUITS.

**CONCRETE ENCASED DUCT DETAIL**  
(2-WAY & 4-WAY SHOWN)

THE LOCATION OF UNDERGROUND UTILITIES AS INDICATED ON THE PLANS HAS BEEN OBTAINED FROM EXISTING RECORDS. NEITHER THE OWNER NOR THE ENGINEER ASSUMES ANY RESPONSIBILITY WHATSOEVER, IN RESPECT TO THE ACCURACY OR SUFFICIENCY OF THE INFORMATION AND THERE IS NO GUARANTEE, EITHER EXPRESSED OR IMPLIED, THAT THE CONDITIONS ARE REPRESENTATIVE OF THOSE TO BE ENCOUNTERED IN THE CONSTRUCTION.

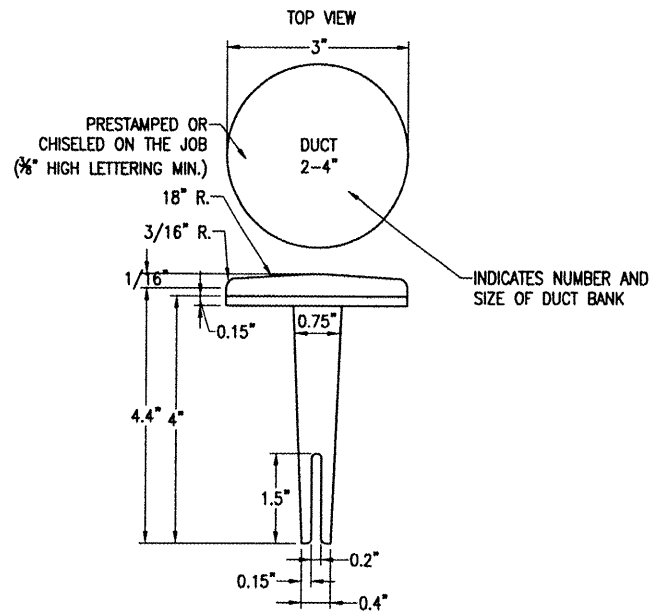


2" SCHED 40 PVC DRAIN PIPE. NOTE 6" OF CA-7 GRAVEL MAY BE PROVIDED, INSTEAD OF 6" CONCRETE FLOOR WITH DRAIN PIPE, AT CONTRACTORS OPTION.

**NOTE:**

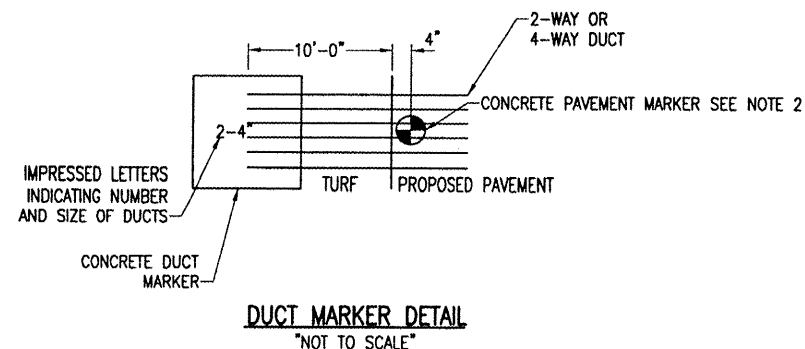
1. LIDS FOR LOW VOLTAGE HANDHOLES SHALL BE LABELED "LOW VOLTAGE". LIDS FOR HIGH VOLTAGE HANDHOLES SHALL BE LABELED "HIGH VOLTAGE". COORDINATE LETTERING WITH MFR.
2. HANDHOLE MAY BE CAST IN PLACE OR PRECAST.
3. SEE SPECIAL PROVISIONS.

**ELECTRICAL HANDHOLE**  
"NOT TO SCALE"

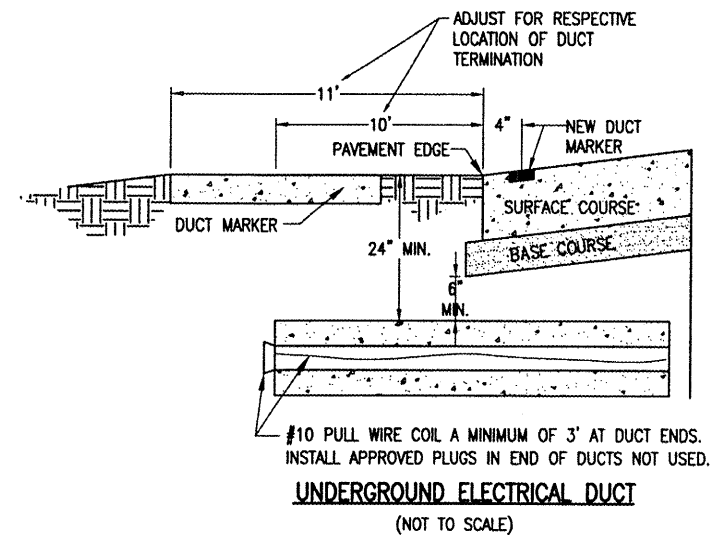


**BITUMINOUS PAVEMENT DUCT MARKERS**  
"NOT TO SCALE"

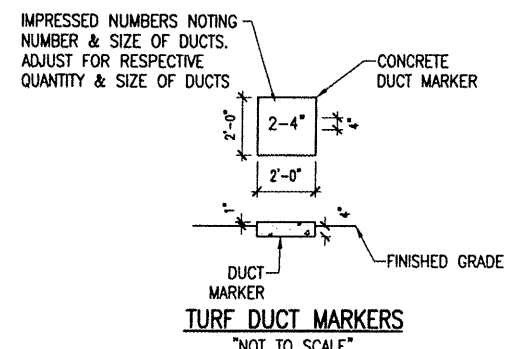
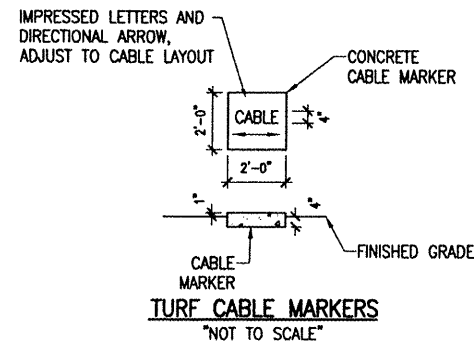
**NOTE:** TOP OF MARKER SHALL BE FLUSH WITH FINISHED PAVEMENT SURFACE. MARKER MAY BE INSTALLED IN A DRILLED HOLE AND SECURED WITH EPOXY GLUE.



**DUCT MARKER DETAIL**  
"NOT TO SCALE"



**UNDERGROUND ELECTRICAL DUCT**  
"NOT TO SCALE"



DATE	REVISION	BY

TRI-TOWNSHIP AIRPORT  
SAVANNA, CARROLL COUNTY  
ILLINOIS

Project No. 07A01440_0800	Scale NONE	Date 05/13/08
Element E-501.DWG	Scale NONE	Date 05/13/08
Layout KNL	Drawn MOR	Reviewed CAH

**HANSON**  
Hanson Professional Services Inc.  
1525 South Sixth Street  
Springfield, Illinois 62705-2888  
Offices Nationwide

CONSTRUCT  
NEW VAULT  
ELECTRICAL DETAILS  
SHEET 2