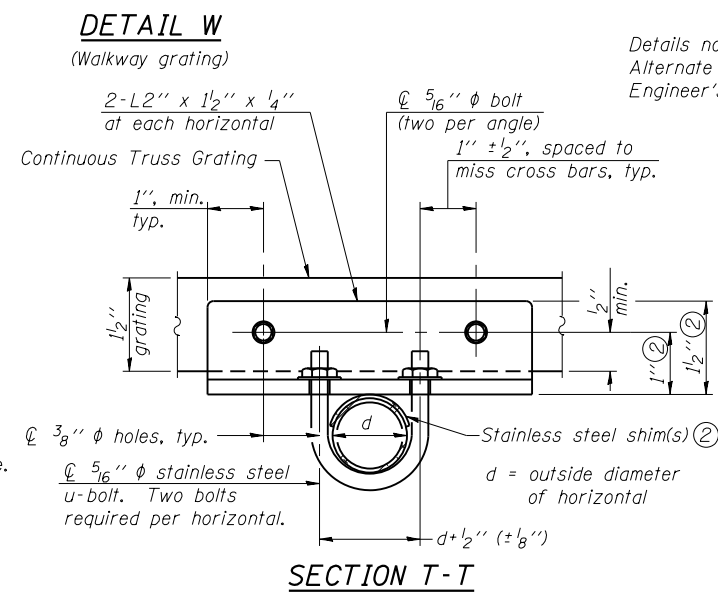
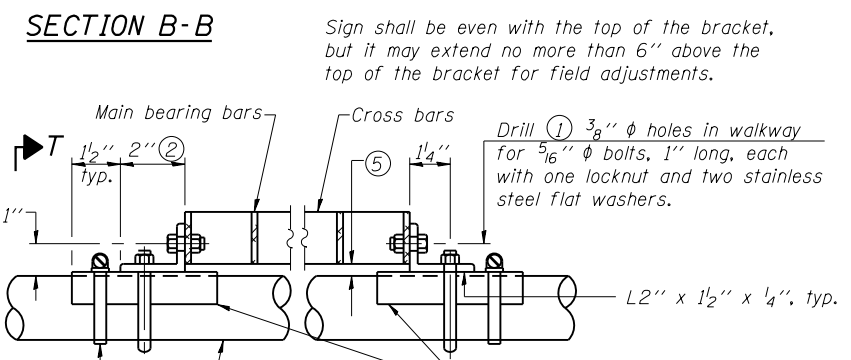
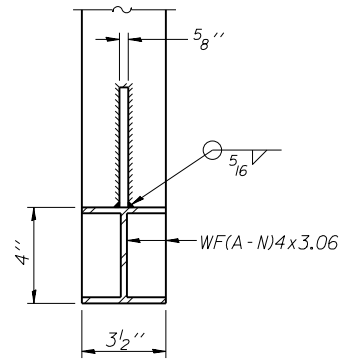
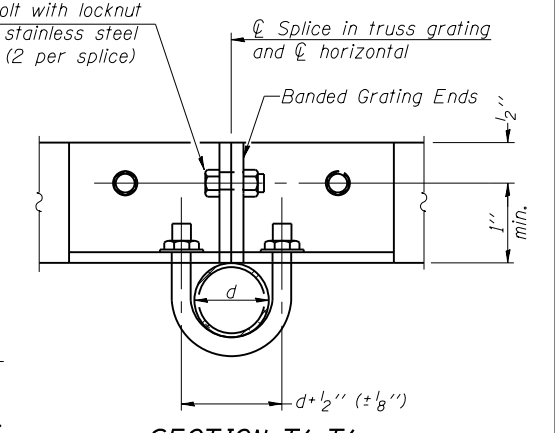
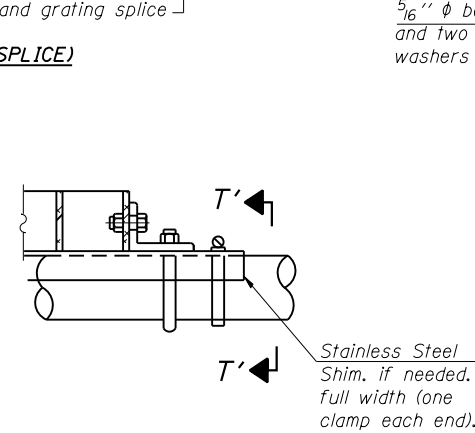
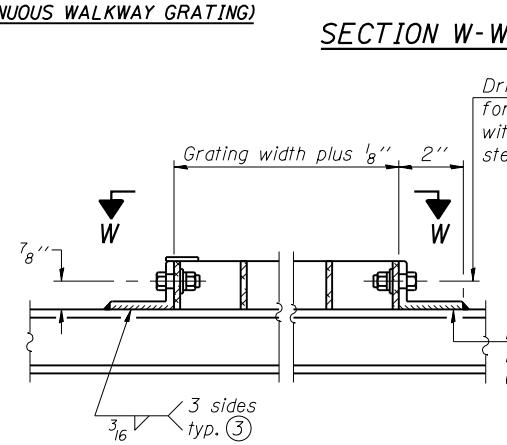
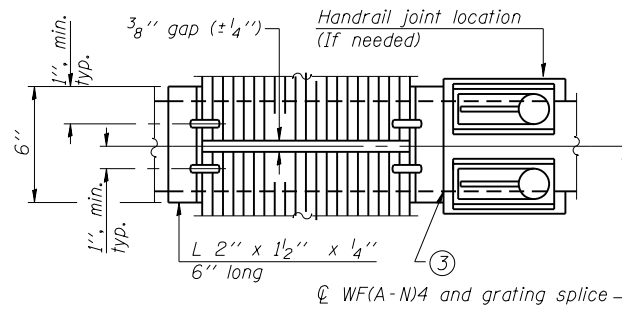
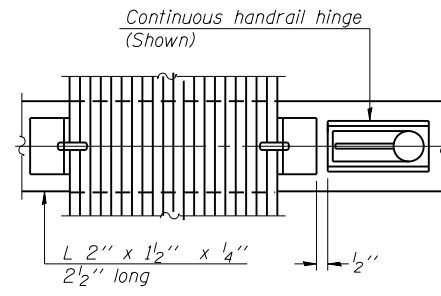
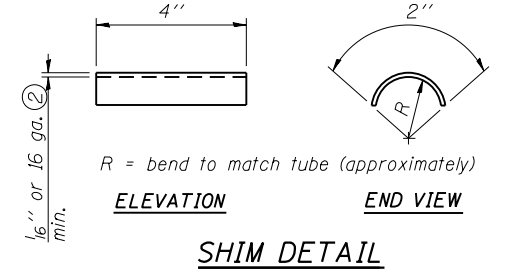


**SPECIFICATIONS FOR STANDARD ALUMINUM GRATING**  
 Main Bearing Bars (MBB) shall be 3/16" x 1/2" on 1 3/16" centers and conform to ASTM B211 Alloy 6061-T6.  
 Cross bars (CB) shall be 3/16" x 1/2" on 4" centers and conform to ASTM B221 Alloy 6063-T5 or 6061-T6.

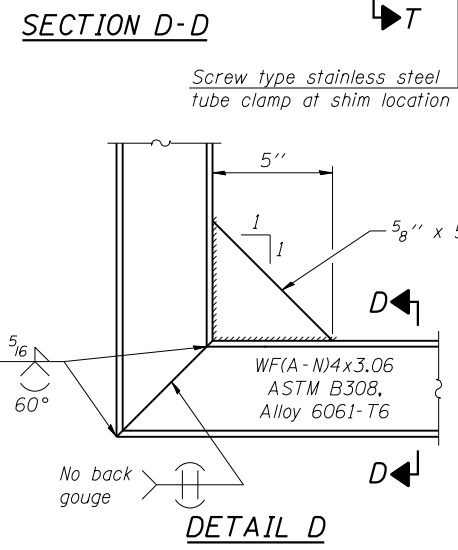
**OR**  
 Aluminum Grating with modified "t" sections for main bearing bars shall meet the following requirements:  
 Main bars shall conform to ASTM B221 Alloy 6061-T6 and have a minimum section modulus equal to 0.0705 in.<sup>3</sup> per bar, a depth of 1 1/2", spaced on 1 3/16" centers.  
 Cross bars shall conform to ASTM B221 Alloy 6063-T5 or T-42 and spaced on 4" centers.



**DETAIL T'**  
 (Truss grating splice)  
 Details not shown same as Detail T.  
 Alternate materials may be used subject to the Engineer's review and approval.



- ① Drilling holes in grating may be done in shop or field, based on Contractor's preference and subject to accurate alignment.
- ② Stainless steel shims shall be placed as shown in Detail T if needed to compensate for alignment variations between horizontal and diagonal pipes beyond adjustment provided by angles. Thicker shims may be used subject to shims performing properly.
- ③ If Handrail Joint present, weld angle to WF(A-N)4 and 1/4" extension bars. (See Base Sheet OSC-A-8.)
- ④ 1/8" x 1/2" x 2" welded to handrail posts to protect locations that contact grating.
- ⑤ Tube to grating gap may vary from 0 to 1/2", max. to align walkway, allow for camber, etc.
- ⑥ Based on actual sign height, D<sub>s</sub>, given on OSC-A-1.



Sign shall be even with the top of the bracket, but it may extend no more than 6" above the top of the bracket for field adjustments.  
 Drill ① 3/8" phi holes in walkway for 5/16" phi bolts, 1" long, each with one locknut and two stainless steel flat washers.  
 Stainless steel shim(s). ② If needed, place on top of horizontals and horizontal diagonals. Secure with one stainless steel clamp per side. See "Shim Detail".  
 Horizontal  
 3/8" phi holes in angles for 5/16" phi stainless steel u-bolts. Two stainless steel washers and hot dip galvanized steel nuts required per bolt. U-bolt and angle connections required at horizontals only.

D-2 Inventory #

SN-098	2C0811080L003.3	7"	4'-9"	5'-6"	10'-9"
SN-141	2C081S092R029.3	7"	1'-9"	5'-6"	7'-9"

Structure Number	Station	A	⑥ B	C	⑥ D
2C0811080L003.3	7"	4'-9"	5'-6"	10'-9"	
2C081S092R029.3	7"	1'-9"	5'-6"	7'-9"	

OSC-A-7

6-1-12

<b>HBM</b> ENGINEERING GROUP, LLC CONSULTING & DESIGN INSPECTION & RATING RESEARCH & TESTING 4415 WEST HARRISON ST. SUITE 231 HILLSIDE, IL 60162 PHONE: (708) 236-0900 FAX: (708) 236-0901	USER NAME =	DESIGNED - JMG	REVISED -
	PLOT SCALE =	CHECKED - JJS	REVISED -
	PLOT DATE = 3/12/2014	DRAWN - AI	REVISED -
		CHECKED - MAI	REVISED -

STATE OF ILLINOIS  
 DEPARTMENT OF TRANSPORTATION

CANTILEVER SIGN STRUCTURES - WALKWAY DETAILS  
 ALUMINUM TRUSS & STEEL POST

F.A. R.E.	SECTION	COUNTY	TOTAL SHEETS	SHEET NO.
VAR.		ROCK ISLAND	45	27
D-2 OVD SIN STR REPL 14-26		CONTRACT NO. 46287		
ILLINOIS FED. AID PROJECT				