

SIDE ELEVATION
(Showing Safety Chain W/O Sign)

FRONT ELEVATION

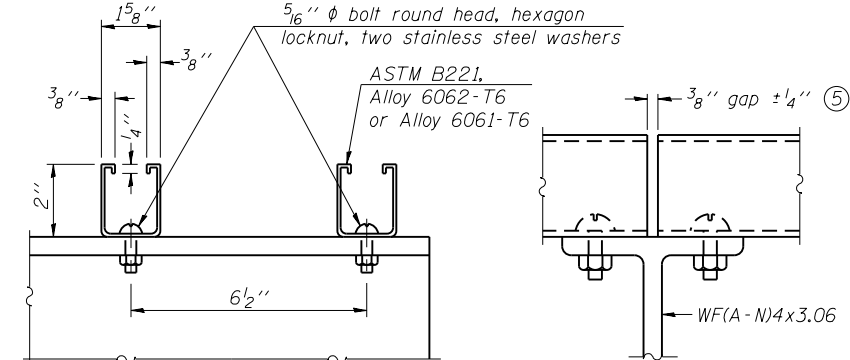
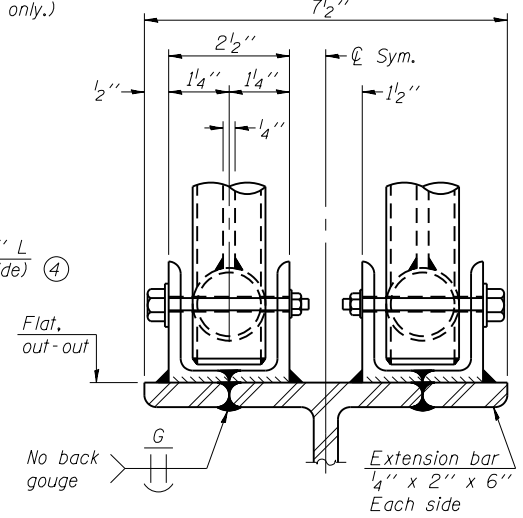
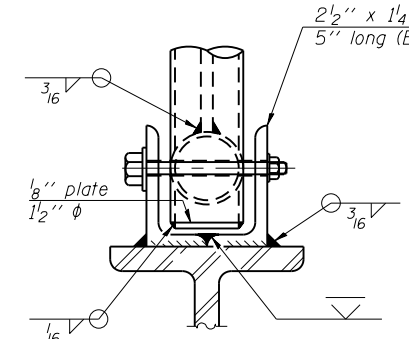
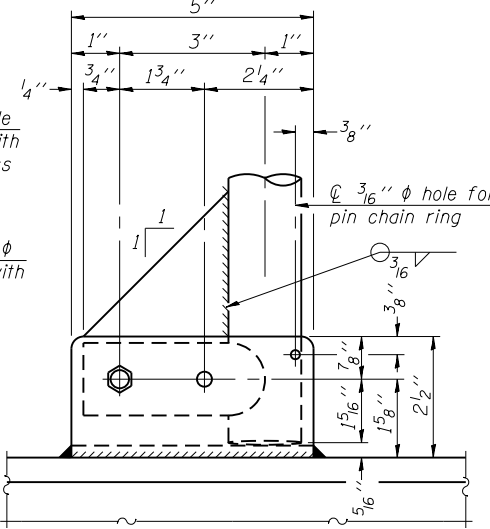
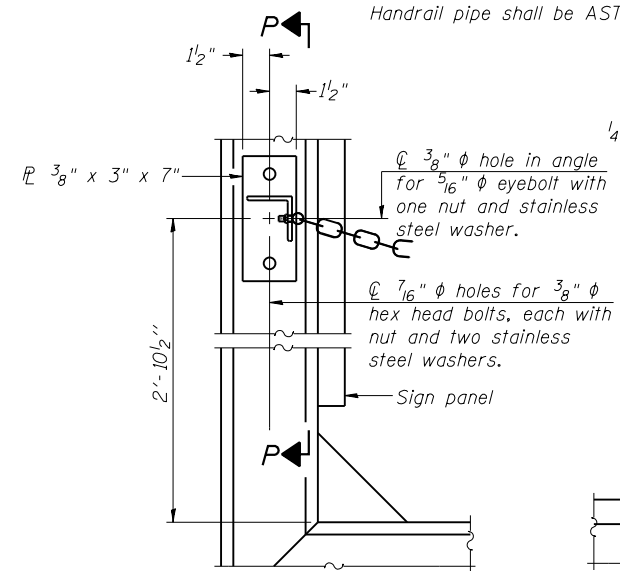
DETAIL F

DETAIL G

HANDRAIL DETAILS

Handrail pipe shall be ASTM B241 or B429, Alloy 6063-T6 or Alloy 6061-T6.

① Install standard force-fit end caps or weld 1/8" end plates with 1/8" c.f.w. and grind smooth. (All rail ends)
Fittings-ASTM B26, Alloy 356-T7 or 1 1/2" diameter aluminum pipe
② Horizontal handrail member shall be continuous thru fitting. Provide 7/16" diameter hole in fitting for 3/8" diameter bolt. Field drill 7/16" diameter hole in horizontal rail member. Provide locknut and two stainless steel washers for bolt. (Use 5/16" eyebolts in 7/16" diameter holes on top rail at ends only.)



SECTION F-F and SECTION G-G
LIGHTING FIXTURE MOUNTS (IF REQUIRED)

⑤ Field cut ends of light support channels shall be free of burrs or hazardous projections and coated with zinc-rich primer or equivalent.

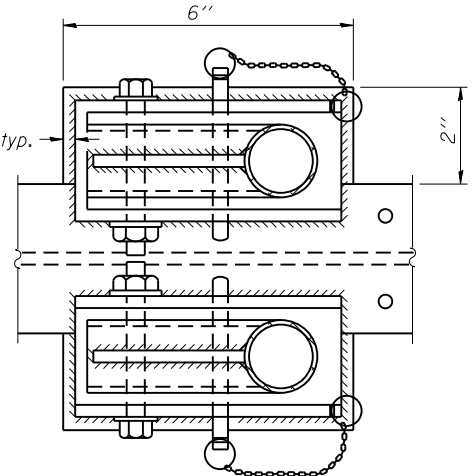
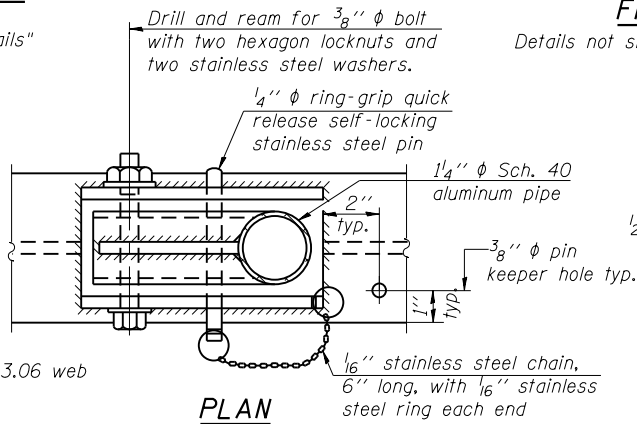
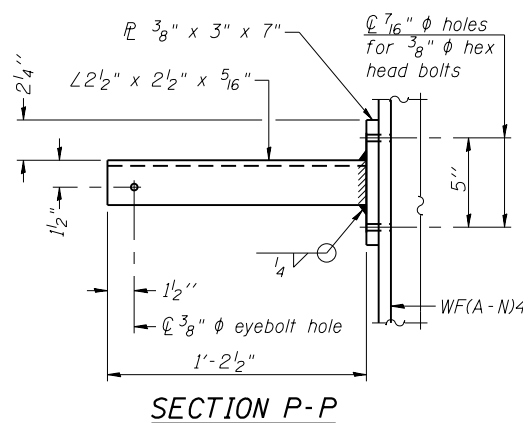
ALTERNATE SAFETY CHAIN ATTACHMENT
(With Sign Present)

Items not shown same as "Side Elevation" of "Handrail Details"

SIDE ELEVATION (Handrail Details)

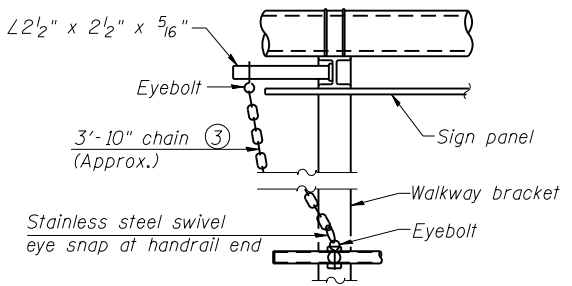
FRONT ELEVATION (Handrail Details)

Details not shown same as "ELEVATION" at right.



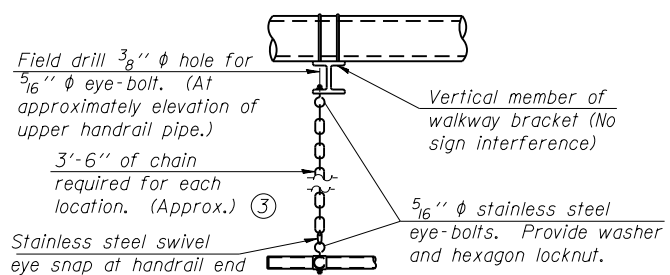
ELEVATION AT HANDRAIL JOINT

Details not shown same as "FRONT ELEVATION"



ALTERNATE SAFETY CHAIN ATTACHMENT
Details not shown similar to "Safety Chain" Details (Walkway omitted for clarity)

③ 3/16" Type 304L stainless steel chain, approximately 12 links per foot.
④ Extrusions may be used in lieu of the details shown, with approval of the Engineer.



SAFETY CHAIN

One required for each end of each walkway.

OSC-A-8

6-1-12

HBM
ENGINEERING GROUP, LLC
CONSULTING & DESIGN
INSPECTION & RATING
RESEARCH & TESTING
4415 WEST HARRISON ST.
SUITE 231
HILLSDALE, IL 60162
PHONE: (708) 236-0900
FAX: (708) 236-0901

USER NAME =	DESIGNED - JMG	REVISED -
PLOT SCALE =	CHECKED - JJS	REVISED -
DATE = 3/12/2014	DRAWN - AI	REVISED -
	CHECKED - MAI	REVISED -

STATE OF ILLINOIS	CANTILEVER SIGN STRUCTURES - HANDRAIL DETAILS
DEPARTMENT OF TRANSPORTATION	ALUMINUM TRUSS & STEEL POST

Sheet No. 8 of 9

F.A. RTÉ. SECTION COUNTY TOTAL SHEETS SHEET NO.
VAR. • ROCK ISLAND 45 28
• D-2 OVD SIN STR REPL 14-26 CONTRACT NO. 46287
ILLINOIS FED. AID PROJECT