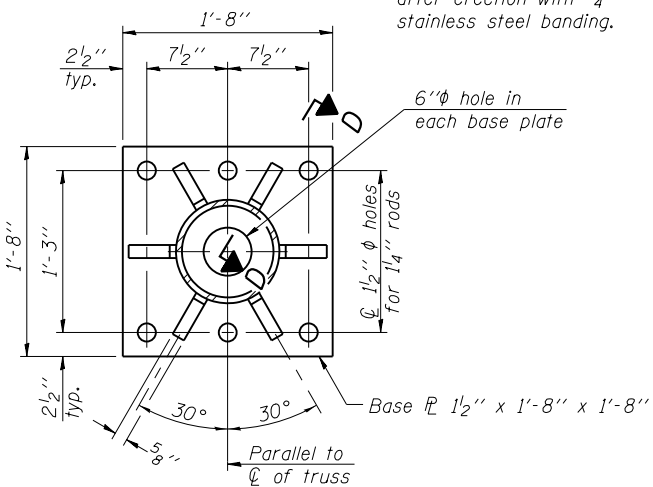
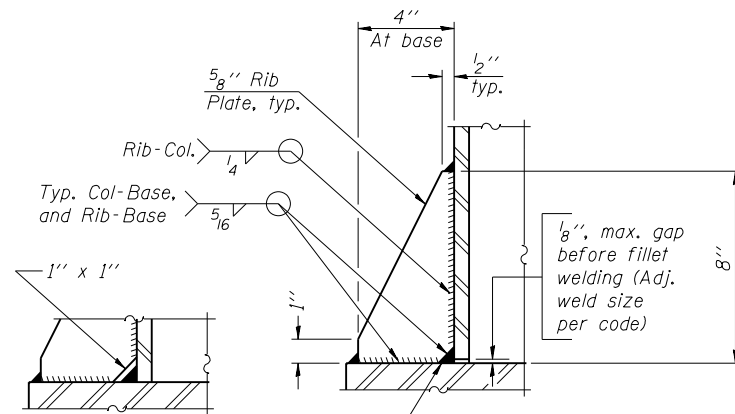


DETAIL B

Ribs shall be cut to fit slope of pipe.

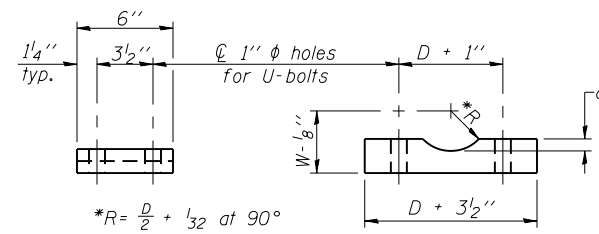


SECTION B-B



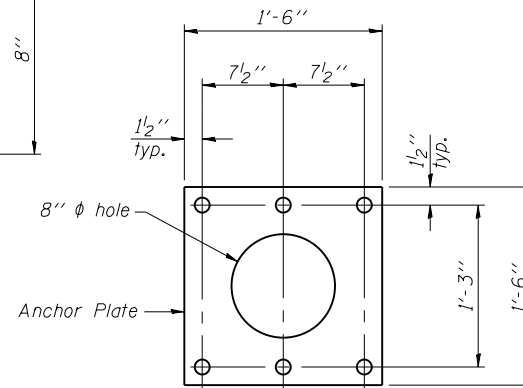
SECTION D-D

** Alternate detail if welding col. to base plate first, then snip inside corner of ribs. Terminate weld on rib 1/4" from snip.

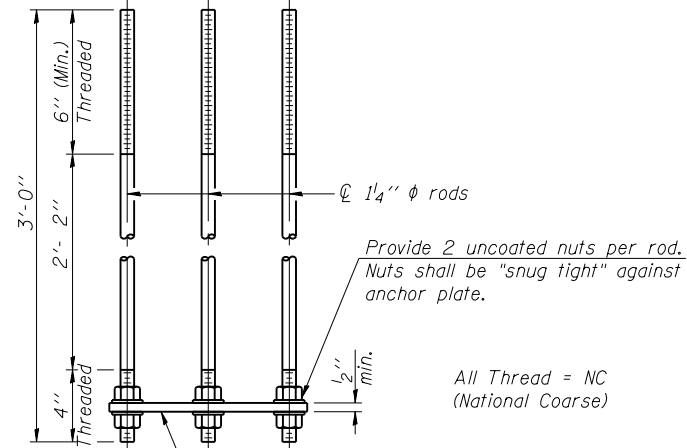


SADDLE SHIM DETAIL

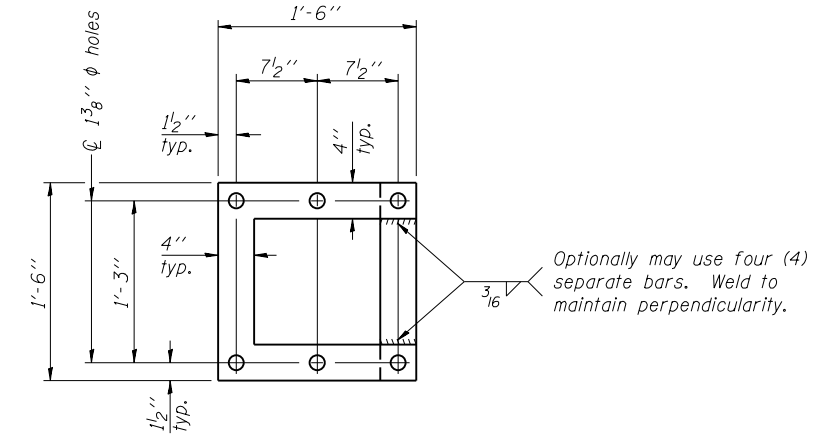
ASTM B26 Alloy 356-F or ASTM B209 Alloy 6061-T651 (4 required per sign truss)



ANCHOR ROD DETAIL
Spread Footing Foundation

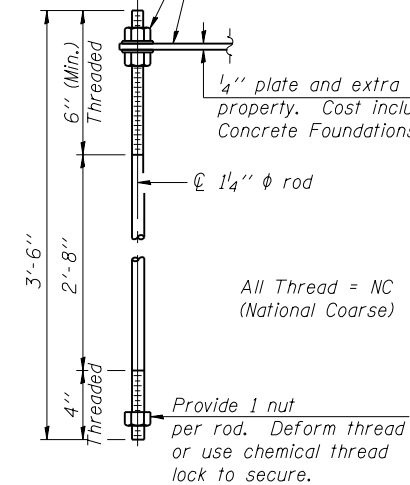


POSITIONING PLATE(S)



At each location, provide 1/4" thick positioning plate(s) and six (6) additional nuts to be used with leveling nuts to maintain anchor bolts position during concrete placement.

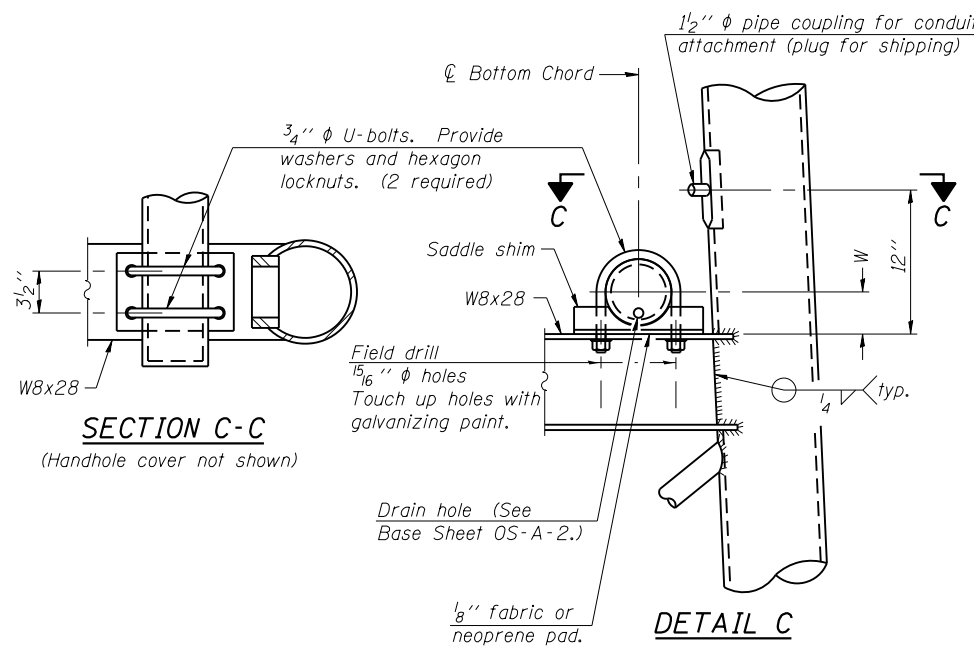
1/4" plate and extra nuts become Contractor's property. Cost included in Drilled Shaft Concrete Foundations.



ANCHOR ROD DETAIL
Drilled Shaft Foundation

Anchor rods shall conform to ASTM F1554 Grade 105. Galvanize upper 12" minimum per AASHTO M232. No welding shall be permitted on rods.

10" ϕ PIPE SUPPORT FRAME DETAILS



SECTION C-C

(Handhole cover not shown)

DETAIL C

OS-A-6A

6-1-12

HBM
ENGINEERING GROUP, LLC
4415 WEST HARRISON ST.
SUITE 231
HILLSIDE, IL 60162
PHONE: (708) 236-0900
FAX: (708) 236-0901

USER NAME =	DESIGNED - JMG	REVISED -
PLOT SCALE =	CHECKED - JJS	REVISED -
PLOT DATE = 3/12/2014	DRAWN - AI	REVISED -
	CHECKED - MAI	REVISED -

STATE OF ILLINOIS
DEPARTMENT OF TRANSPORTATION

OVERHEAD SIGN STRUCTURES
SUPPORT FRAME DETAILS - ALUMINUM TRUSS

Sheet No. 6 of 11

F.A. RTE.	SECTION	COUNTY	TOTAL SHEETS	SHEET NO.
VAR.		ROCK ISLAND	45	35
• D-2 OVD SIN STR REPL 14-26		CONTRACT NO. 46287		
ILLINOIS FED. AID PROJECT				