

**TYPICAL TRUSS UNIT**  
(Sign and walkway omitted for clarity)

Note: For Section B-B and Section C-C, see Base Sheet OSC-A-3.

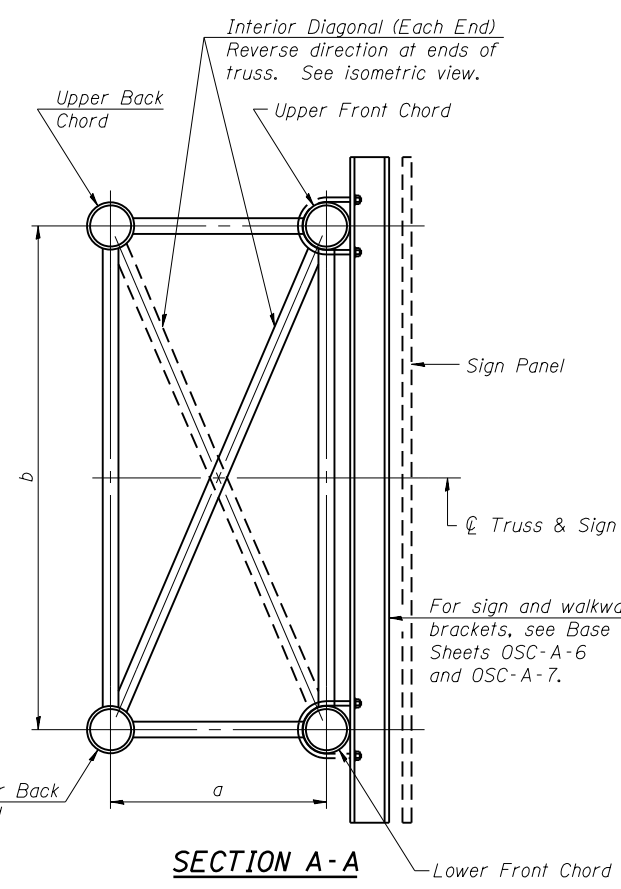
There are twice as many horizontal diagonals as there are vertical diagonals.

**TRUSS UNIT TABLE**

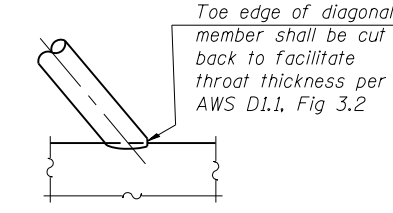
Truss Type	Dimension "a"	Dimension "b"	Dimension "s"	Limits for Panel Spacing (P)*	Up. & Low. Chord		Verticals; Horizontals; Vertical, Horizontal, and Interior Diagonals	
					O.D.	Wall	O.D.	Wall
I-C-A	24"	54"	16"	36" min. to 48" max.	5"	5/16"	2 1/2"	5/16"
II-C-A	36"	66"	21"	42" min. to 54" max.	6 1/2"	5/16"	3 1/4"	5/16"
III-C-A (35' Max.)	36"	84"	21"	48" min. to 66" max.	7"	3/8"	3 1/2"	3/8"
III-C-A (>35' to 40')	36"	84"	21"	48" min. to 66" max.	8"	3/8"	3 1/2"	3/8"

\*P =  $\frac{L-s-3''}{\# \text{ Panels}}$

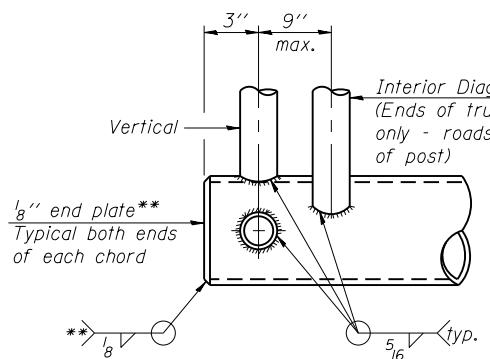
Structure Number	Station	Truss Type	Design Length (L)	Number of Panels Per Unit	Panel Length (P)*
SN-021	2C101U020L024.8	III-C-A	40'-0"	8	4'-9"



**SECTION A-A**

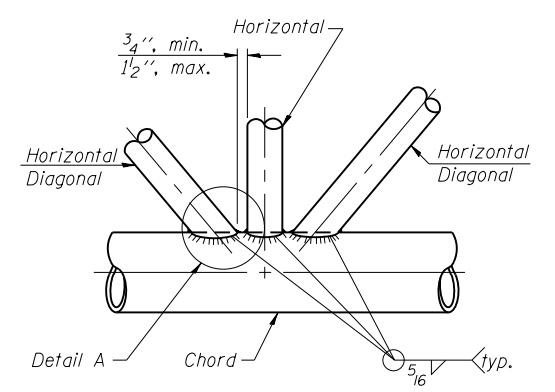


**DETAIL A**

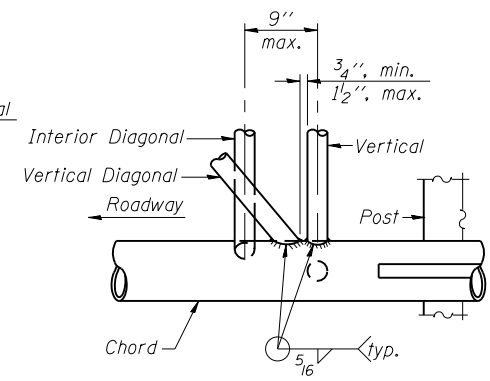


**CANTILEVER END JOINT DETAIL**

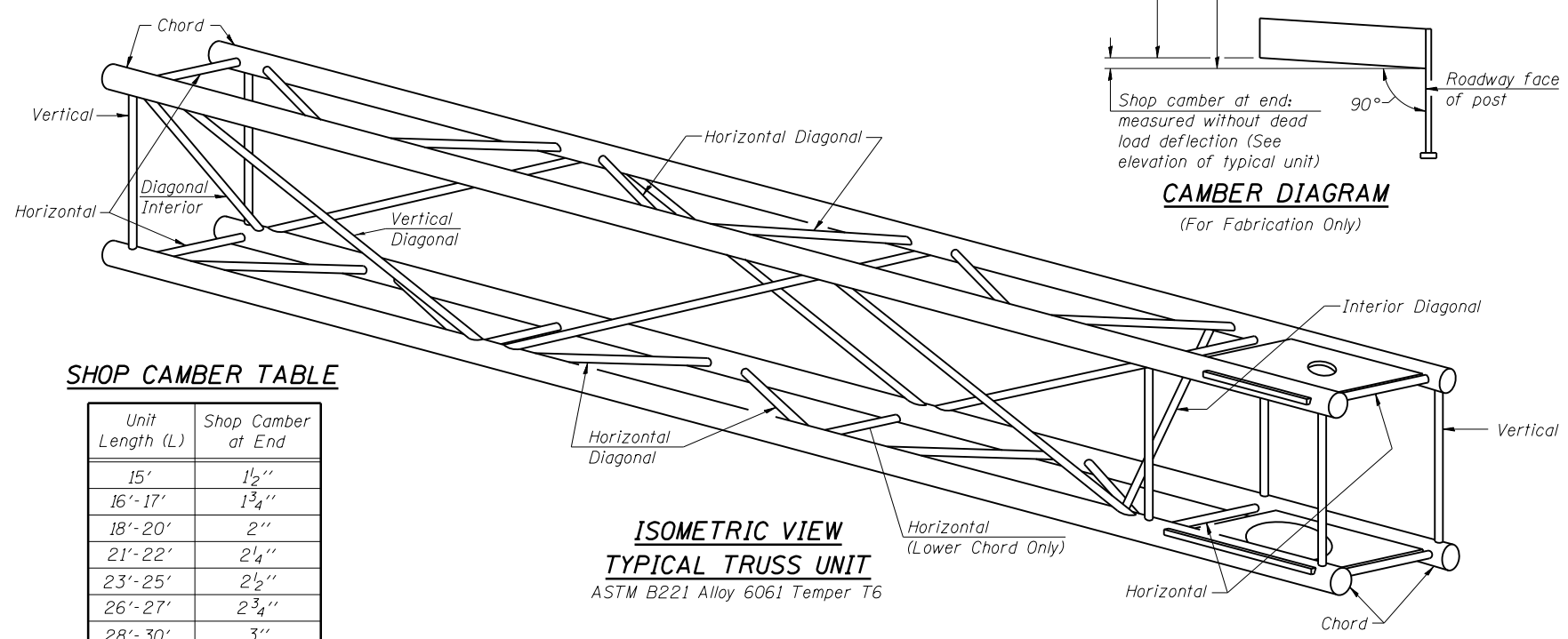
\*\* Contractor may alternatively use standard aluminum drive-fit cap to close ends. 1/2" φ Drain hole in end plate / drive-fit cap.



**TRUSS INTERIOR JOINT DETAIL**



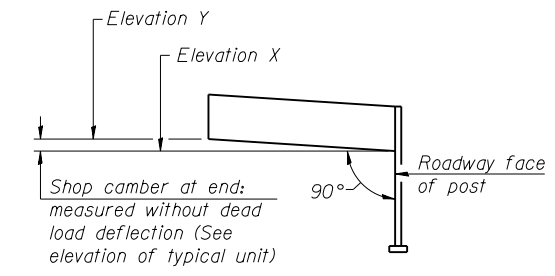
**POST END JOINT DETAIL**



**ISOMETRIC VIEW TYPICAL TRUSS UNIT**  
ASTM B221 Alloy 6061 Temper T6

**SHOP CAMBER TABLE**

Unit Length (L)	Shop Camber at End
15'	1 1/2"
16'-17'	1 3/4"
18'-20'	2"
21'-22'	2 1/4"
23'-25'	2 1/2"
26'-27'	2 3/4"
28'-30'	3"
31'-32'	3 1/4"
33'-35'	3 1/2"
36'-37'	4"
38'-40'	4 1/2"



**CAMBER DIAGRAM**  
(For Fabrication Only)

OSC-A-2

6-1-12



USER NAME = jettanaseo	DESIGNED - NG	REVISED -
PLOT SCALE = 0:2.0000 "/> <td>CHECKED - BWS</td> <td>REVISED -</td>	CHECKED - BWS	REVISED -
PLOT DATE = 1/31/2014	DRAWN - RD	REVISED -
	CHECKED - BWS	REVISED -

STATE OF ILLINOIS  
DEPARTMENT OF TRANSPORTATION

CANTILEVER SIGN STRUCTURES - TRUSS DETAILS  
ALUMINUM TRUSS & STEEL POST

SHEET NO. S-2 OF S-26 SHEETS

F.A.I. RTE.	SECTION	COUNTY	TOTAL SHEETS	SHEET NO.
VAR.	.	**	45	21
D-2 OVD SIN STR REPL 14-27			CONTRACT NO. 46288	
ILLINOIS FED. AID PROJECT				

WINNEBAGO & OGLE