

PLAN DETAIL "A"
 ☐ Span between Panel Points

PLAN DETAIL "B"
 ☐ Span at Panel Point

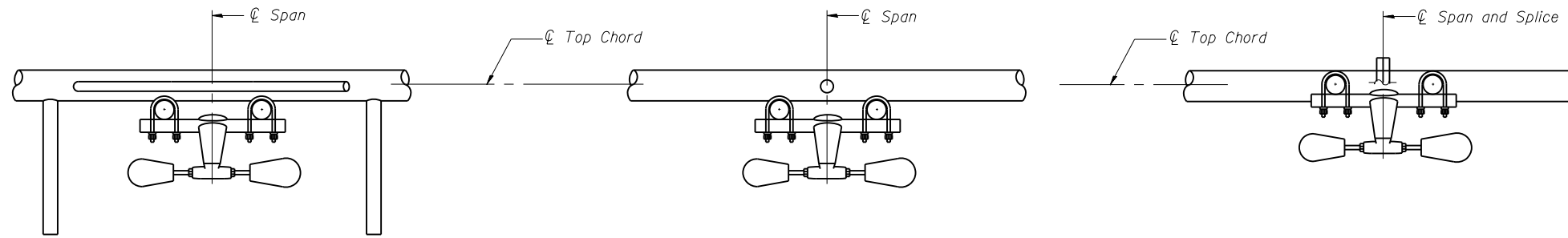
PLAN DETAIL "C"
 ☐ Span at ☐ Chord Splice

* Center of horizontal to center of splice dimension may vary. Verify before drilling holes in mounting tube.

NOTES

Damper: One damper per truss. (31 lbs. minimum Stockbridge-Type Aluminum - 29" minimum between ends of weights) Cost included in Overhead Sign Structure...

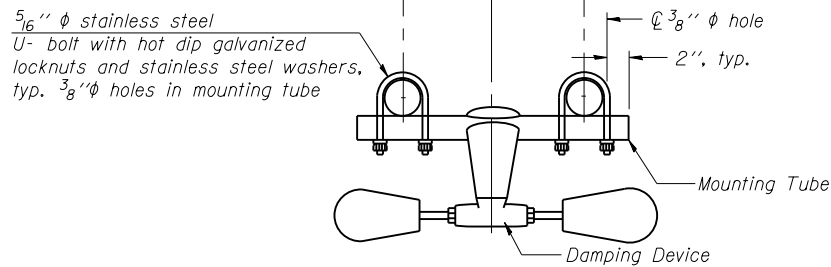
Materials: Materials: Aluminum tubes shall be ASTM B221 alloy 6061 temper T6. Cost included in Overhead Sign Structure...



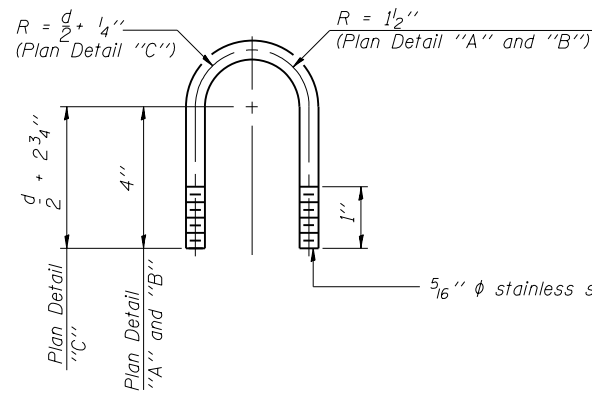
SECTION A-A

SECTION B-B

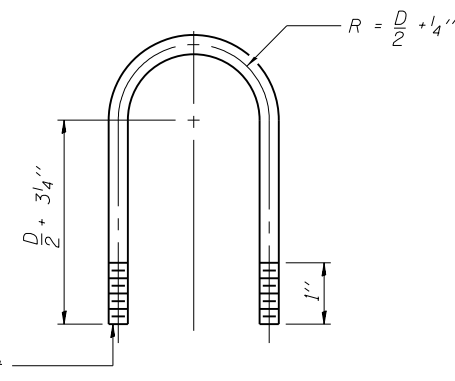
SECTION C-C



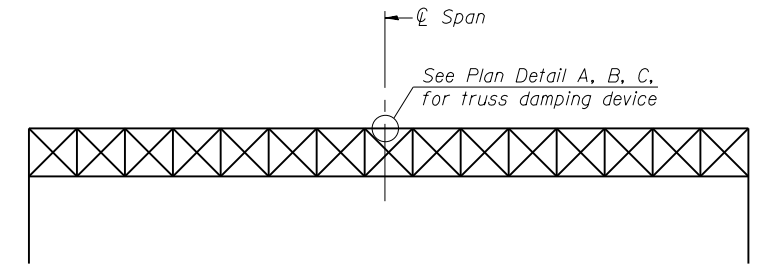
**TRUSS DAMPING
 DEVICE CONNECTION DETAIL**
 (Typical)



**DAMPING DEVICE MOUNTING
 TUBE U-BOLT DETAIL**
 (Typical)



**TOP CHORD TO CROSS TUBE
 U-BOLT DETAIL**
 (Typical - Detail "A" and "B")



ELEVATION
 Aluminum Overhead
 Sign Truss

N:\PROJ\10020050\00\0020050\01\Design\Structural\CAD\SN-03-CN_-S013.dgn

OS-A-D

6-1-12



USER NAME = jettanaseo	DESIGNED - NG	REVISED -
	CHECKED - BWS	REVISED -
PLOT SCALE = 0:2.0000 "/> <td>DRAWN - RD</td> <td>REVISED -</td>	DRAWN - RD	REVISED -
PLOT DATE = 1/31/2014	CHECKED - BWS	REVISED -

**STATE OF ILLINOIS
 DEPARTMENT OF TRANSPORTATION**

**OVERHEAD SIGN STRUCTURE
 DAMPING DEVICE**

SHEET NO. S-13 OF S-26 SHEETS

F.A.I. RTE.	SECTION	COUNTY	TOTAL SHEETS	SHEET NO.
VAR.	.	**	45	32
• D-2 OVD SIN STR REPL 14-27			CONTRACT NO. 46288	
ILLINOIS FED. AID PROJECT				

•• WINNEBAGO & OGLE