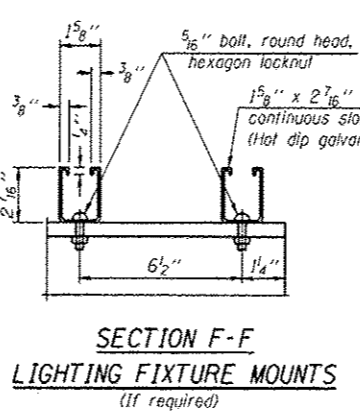
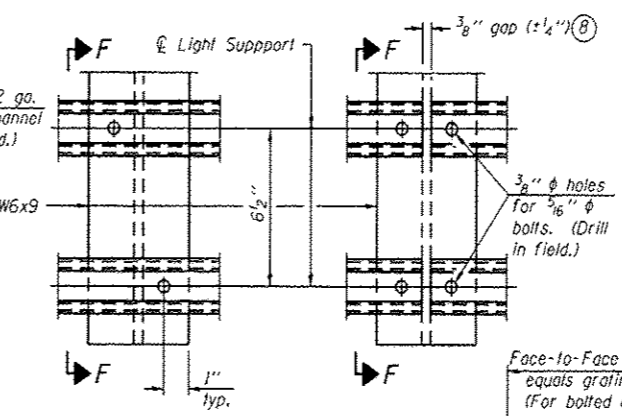


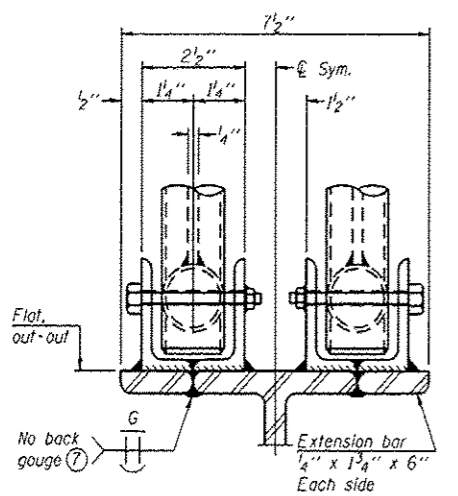
**SIDE ELEVATION DETAIL D HANDRAIL FRONT ELEVATION**



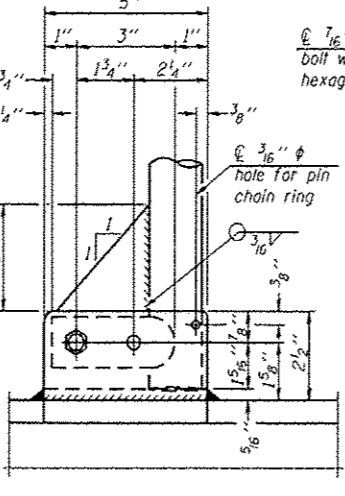
**SECTION F-F LIGHTING FIXTURE MOUNTS (if required)**



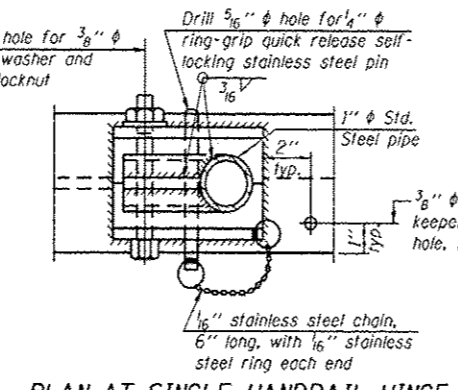
**DETAIL F DETAIL G DETAIL H**



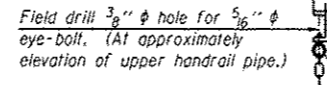
**ELEVATION AT HANDRAIL JOINT**  
(Details not shown same as "FRONT ELEVATION")



**SIDE ELEVATION**



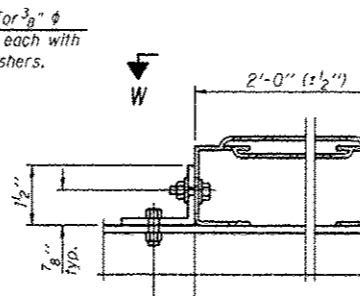
**PLAN AT SINGLE HANDRAIL HINGE**



**DETAIL E**

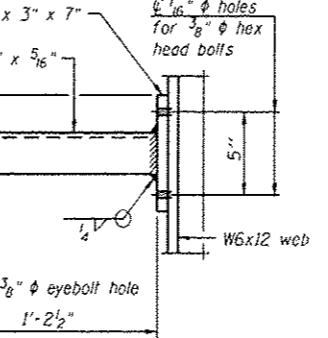
**SAFETY CHAIN**

No Sign at Bracket  
One (1) required for each end of each walkway.

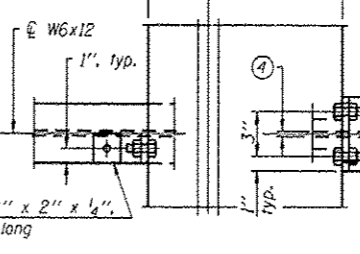


**SAFETY CHAIN ATTACHMENT**

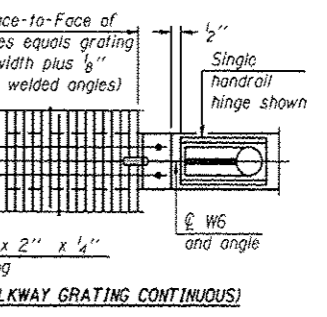
(With Sign Present)  
Items not shown same as "SIDE ELEVATION" and "SAFETY CHAIN"



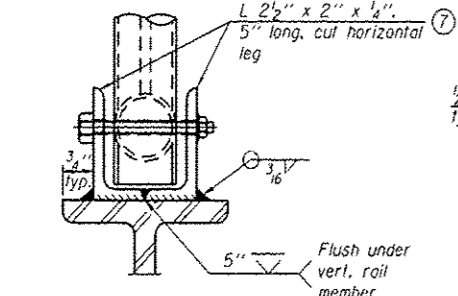
**SECTION P-P**



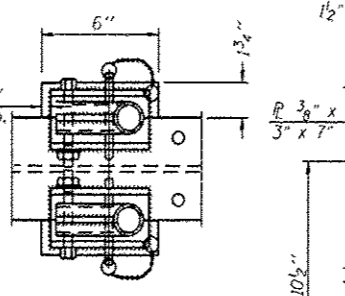
**VIEW W-W**



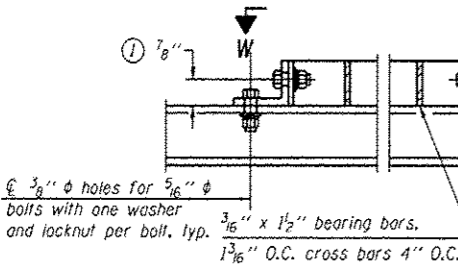
**PLAN**



**FRONT ELEVATION**  
(See above Elevations for dimensions.)



**PLAN AT HANDRAIL JOINT**  
(For Details, see Elevations.)



**WELDED BAR GRATING DETAILS**

**ALTERNATE FORMED PLANK GRATING DETAILS**

Plank Grating: nominal depth = 2 1/2" (± 1/2"); perforated or expanded steel sheet with a non-skid surface (non-serrated) concentrated load capacity = 500 lbs. with 6'-0" clear span.

- NOTES**
- Drilling holes in grating may be done in shop or field, based on Contractor's preference and subject to accurate alignment. Field drilled holes must be touched up with galvanized paint.
  - Horizontal rail member shall be continuous thru 1 1/4" pipe. Provide 7/16" hole in 1 1/4" pipe for 3/8" bolt. Field drill 7/16" hole in horizontal rail member. Provide washer and locknut for bolt. (Use 5/16" eyebolts in 7/16" holes on top rail at ends only.)
  - Install standard force-fit end caps or weld 1/8" end plates with 1/8" c.f.w. and grind smooth. (All rail ends.)
  - 3/8" (± 1/4") gap between grating panels at splice.
  - Chain to be type 304L stainless steel suitable for prolonged exterior exposure. Approximately 3'-6" long chain per location. Maximum sag with handrail erected = 4".
  - 1/8" x 1/2" x 2" welded to handrail posts to protect locations that contact grating.
  - Extrusions may be used in lieu of details shown, with approval by Engineer.
  - Field cut ends of light support channels shall be free of burrs or hazardous projections and coated with zinc-rich primer or equivalent.

BM-4

1-20-11

FILE NAME : overhead sign plans.dgn	USER NAME : davis99	DESIGNED - DRAWN -	REVISED - REVISED -	STATE OF ILLINOIS DEPARTMENT OF TRANSPORTATION	BRIDGE MOUNT SIGN STRUCTURES WALKWAY DETAILS	F.A. R.T.E.	SECTION	COUNTY	TOTAL SHEETS	SHEET NO.	
Model	PLOT SCALE : 3/8" = 1'-0"	CHECKED - DATE -	REVISED - REVISED -			SCALE:	SHEET OF SHEETS	VAR	D4-4 0-V0 SIN STR REPL 14-47	VARIOUS	65
						CONTRACT NO. 46314		ILLINOIS FED. AID PROJECT			