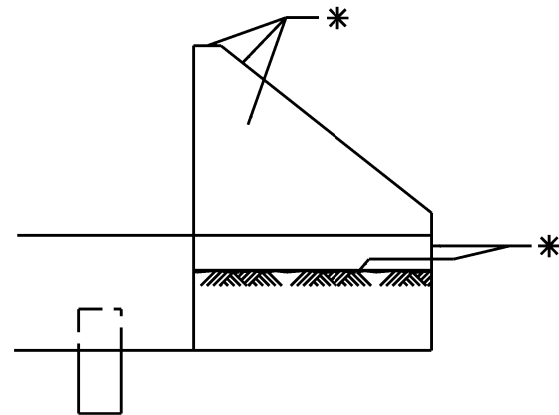
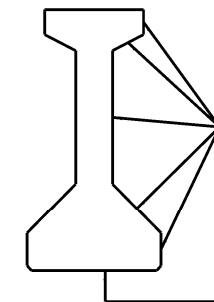


CROSS SECTION

* PROTECTIVE COAT LOCATIONS



**TYPICAL WINGWALL
DETAIL**



**TYPICAL 42" I-BEAM
DETAIL**

* (APPLY PROTECTIVE COAT 3 FT.
EITHER SIDE OF DRAINAGE SCUPPERS)
2 LOCATIONS (SPAN 1 NEAR PIER 1)

BILL OF MATERIAL

Item	Unit	Total
PROTECTIVE COAT	SO YD	1556

FILE NAME :	USER NAME : pyzzenowskirb	DESIGNED 04/25/14 RP	REVISED -	STATE OF ILLINOIS DEPARTMENT OF TRANSPORTATION	BRIDGE PLANS			F.A.P. RTE.	SECTION	COUNTY	TOTAL SHEETS	SHEET NO.
ci:\p\work\p\widot\pyzzenowskirb\035562\DI134213-sht-plan.dgn		DRAWN 04/25/14 RP	REVISED -		IL 59 AT METRA RR (SN 016-2606)			338	110V-R-1-BR	COOK	28	8
Default	PLOT SCALE = 100.0000' / in.	CHECKED 04/24/14 AM	REVISED -		SCALE:	SHEET 4	OF 6 SHEETS	STA.	TO STA.	CONTRACT NO. 60#59		
	PLOT DATE = 4/28/2014	DATE 4/28/2014	REVISED -		ILLINOIS FED. AID PROJECT							