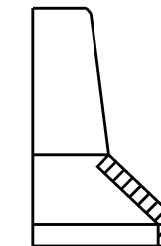
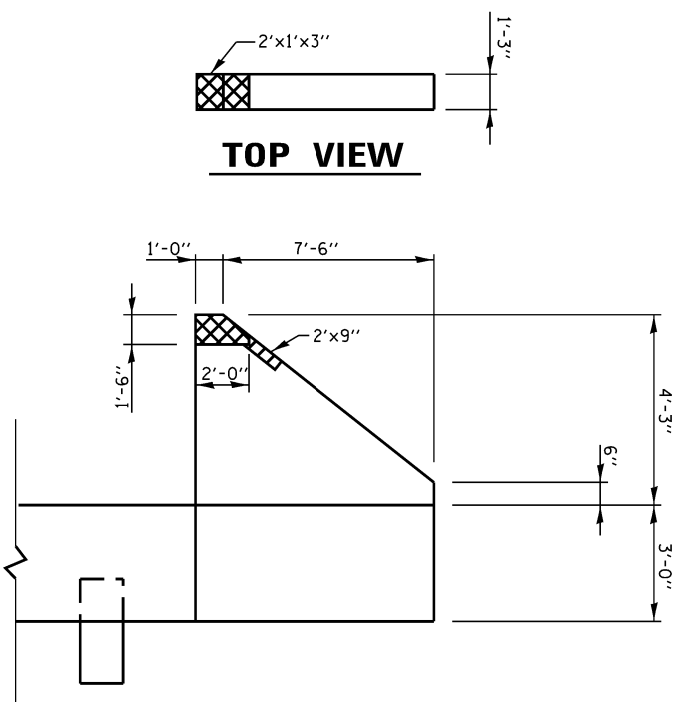


**INSIDE ELEVATION  
OF WEST PARAPET**

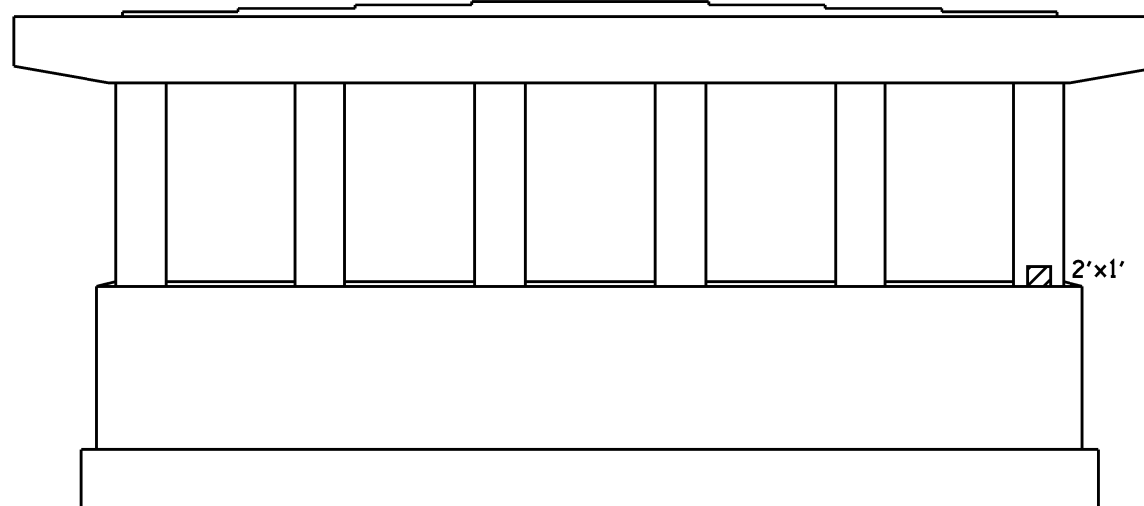


**SECTION A-A**

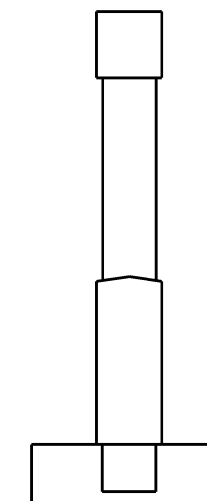


**TOP VIEW**

**S.W. WINGWALL**



**PIER 1 ELEVATION  
(NORTH FACE)**



**END VIEW**

**LEGEND:**

- STRUCTURAL REPAIR OF CONCRETE  $\leq$  5"
- STRUCTURAL REPAIR OF CONCRETE  $>$  5"

**BILL OF MATERIAL**

Item	Unit	Total
STRUCTURAL REPAIR OF CONCRETE $\leq$ 5	SO FT	6
STRUCTURAL REPAIR OF CONCRETE $>$ 5	SO FT	6

FILE NAME =	USER NAME = pyzanoskirb	DESIGNED 04/25/14 RP	REVISED -
ci:\pwork\pwork\pyzanoskirb\d035562\DI134213-sht-plan.dgn		DRAWN 04/25/14 RP	REVISED -
Default	PLOT SCALE = 100.0000' / in.	CHECKED 04/24/14 AM	REVISED -
	PLOT DATE = 4/28/2014	DATE 4/28/2014	REVISED -

STATE OF ILLINOIS  
DEPARTMENT OF TRANSPORTATION

BRIDGE PLANS			
IL 59 AT METRA RR (SN 016-2606)			
SCALE:	SHEET 5	OF 6 SHEETS	STA. TO STA.

F.A.P. RTE.	SECTION	COUNTY	TOTAL SHEETS	SHEET NO.
338	110V-R-1-BR	COOK	28	9
CONTRACT NO. 60#59				
ILLINOIS FED. AID PROJECT				